

This catalog covers:

'13~'14 KX250 ZDF/ZEF

GRID NO.

A-1

This grid covers:

Title



PARTS CATALOG

'13~'14 KX250 ZDF/ZEF

(KX250F)

Publications.....	A-2
Model Identification.....	A-4
Engine.....	B-1
Chassis.....	E-1

© Kawasaki Heavy Industries, Ltd. 2013

Engine No. Location:

RH side crankcase

Year & Model

'13 KX250ZDF

Color

1. Lime Green (777)

VIN No. Range

JKAKX250ZZA000001 ~ 013000

JKAKXMZC\DA000001 ~ 013000 (Australia only)

Engine No. Range

KX250ZE000001 ~

'14 KX250ZEF

1. Lime Green (777)

JKAKX250ZZA013001 ~

JKAKXMZC\EA013001 ~ (Australia only)

KX250ZE000001 ~

This catalog covers:

'13~'14 KX250 ZDF/ZEF

GRID NO.

A-2

This grid covers:

Publications

Year & Model	Owner's Manual	A&P Manual		Service Manual		Microfiche
		General	Supplement	Basic	Supplement	
2013 KX250ZDF	99976-1716(EN/FR/DE) 99976-1717(IT/ES/NL) 99986-1691(Australia only)			99924-1459-01		99912-1778-02
2014 KX250ZEF	99976-1778(EN/FR/DE) 99976-1779(IT/ES/NL) 99986-1745(Australia only)			99924-1459-02		See above

This catalog covers:

'13~'14 KX250 ZDF/ZEF

GRID NO.

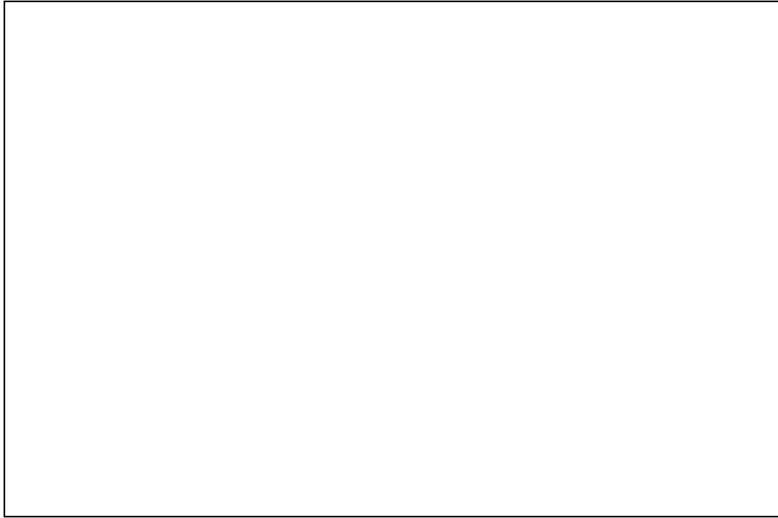
A-4

This grid covers:

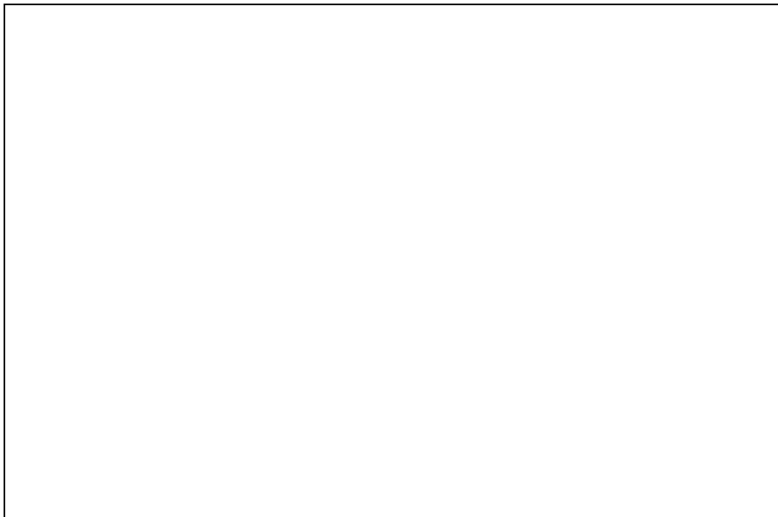
Model I.D. '13~'14 KX250 ZDF/ZEF

KX250ZDF

Left Side View

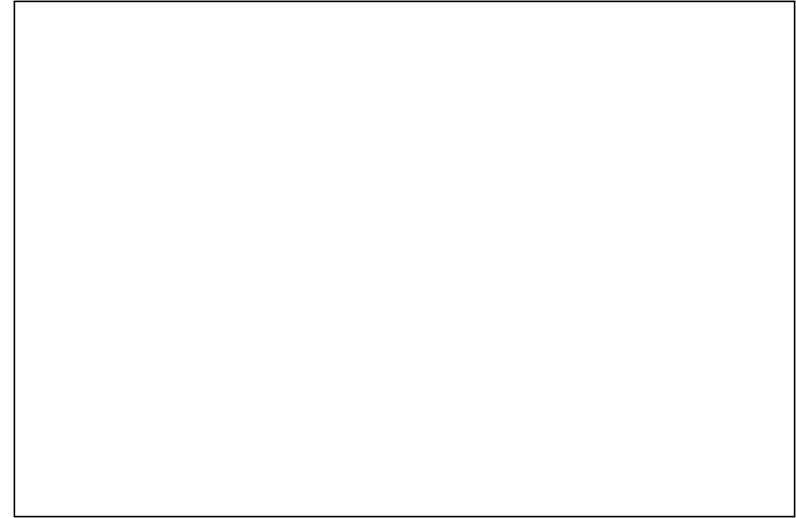


Right Side View



KX250ZEF

Left Side View



Right Side View



This catalog covers:

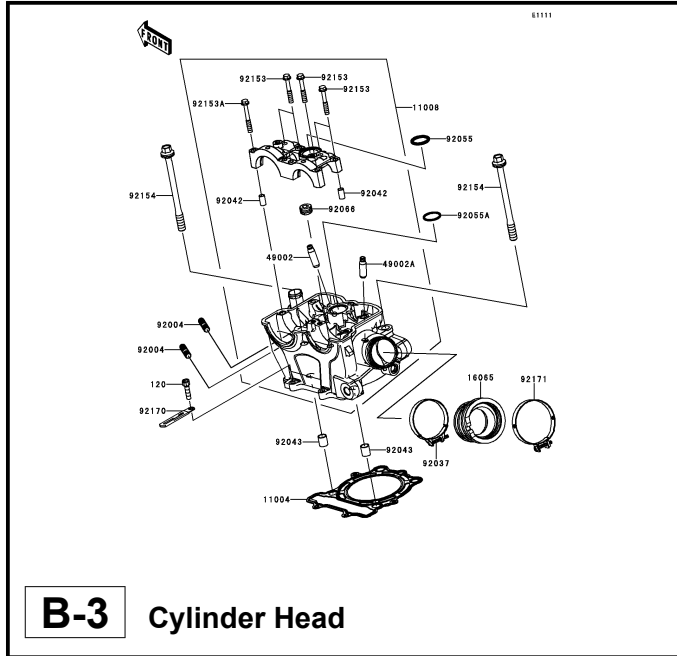
'13~'14 KX250 ZDF/ZEF Engine

GRID NO.

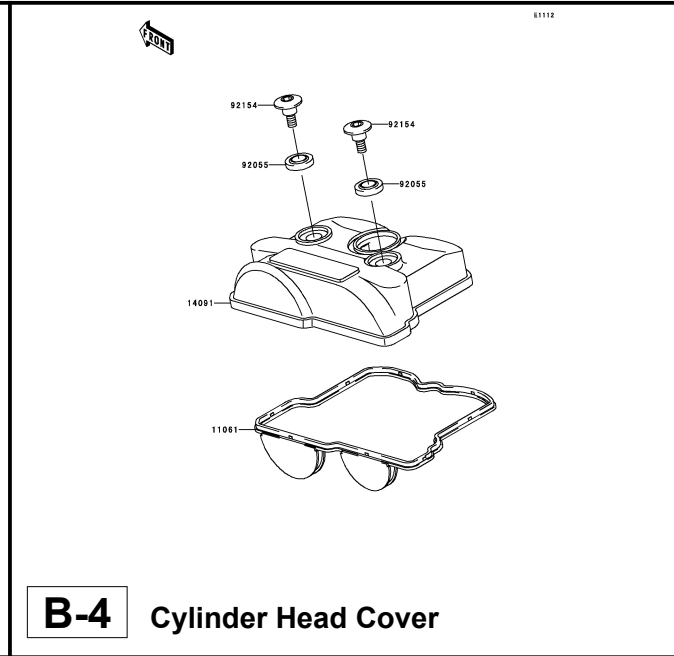
B-1

This grid covers:

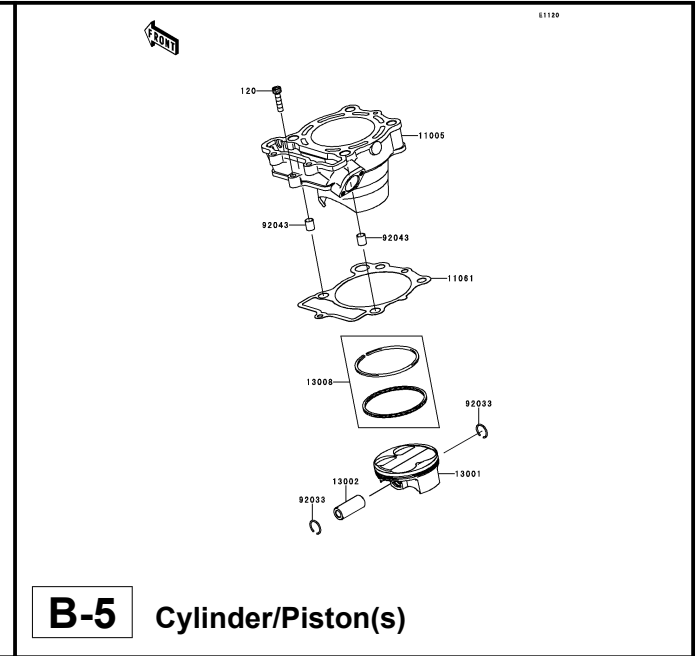
Pictorial Index



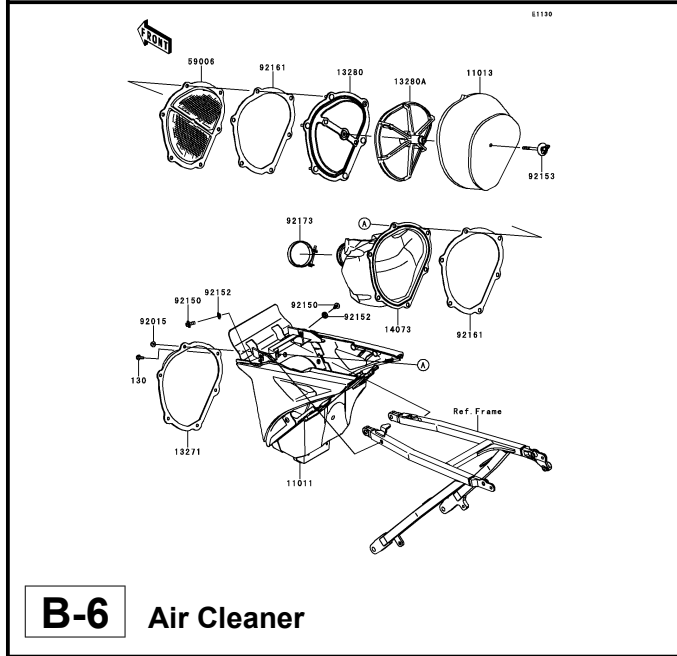
B-3 Cylinder Head



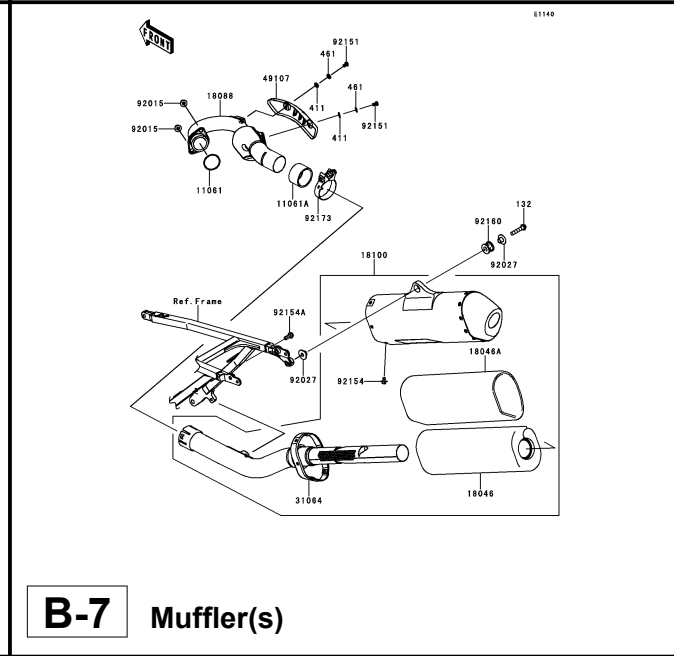
B-4 Cylinder Head Cover



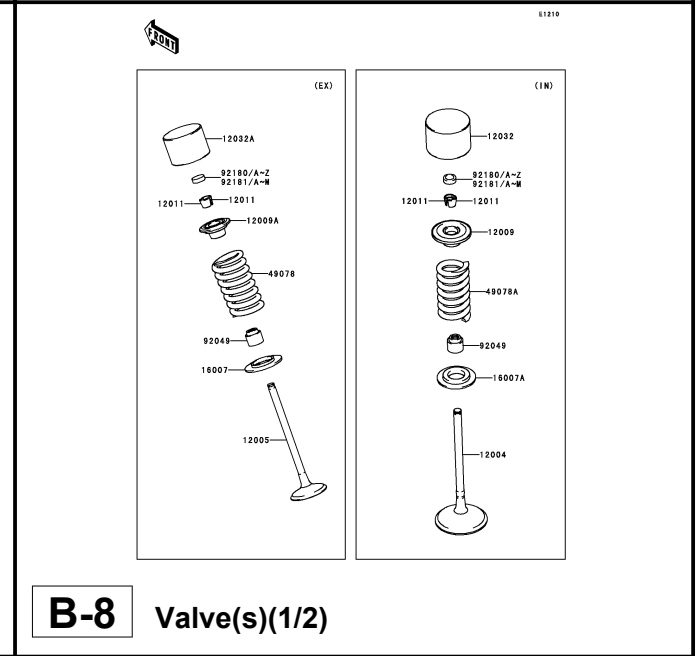
B-5 Cylinder/Piston(s)



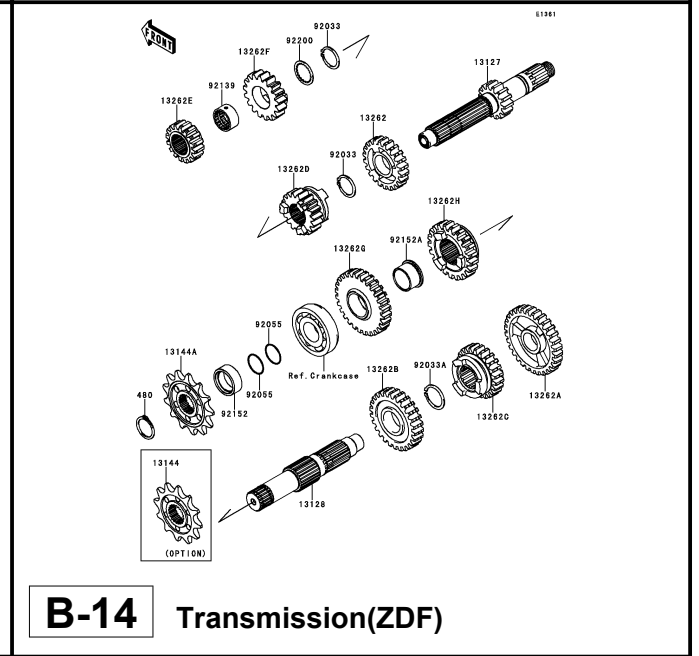
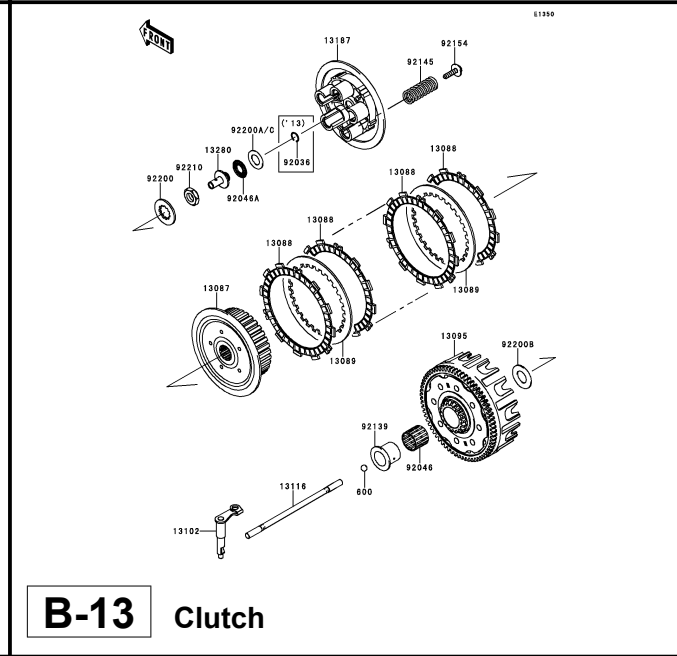
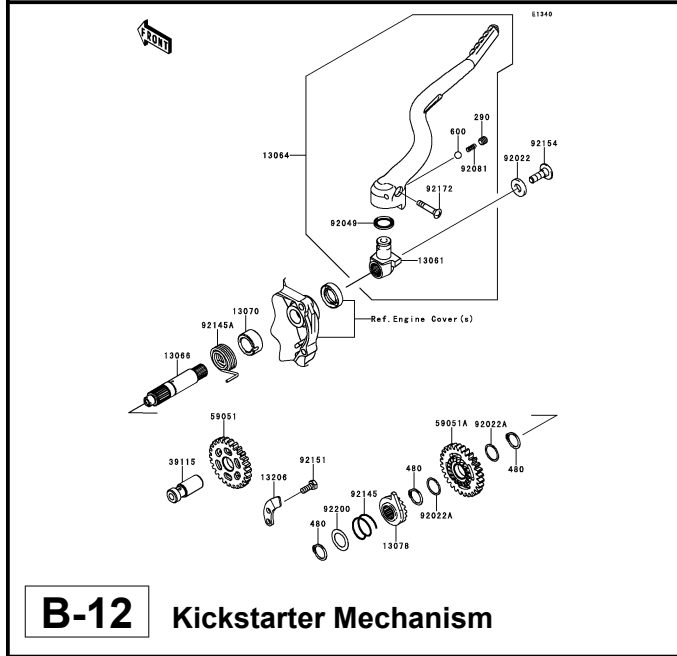
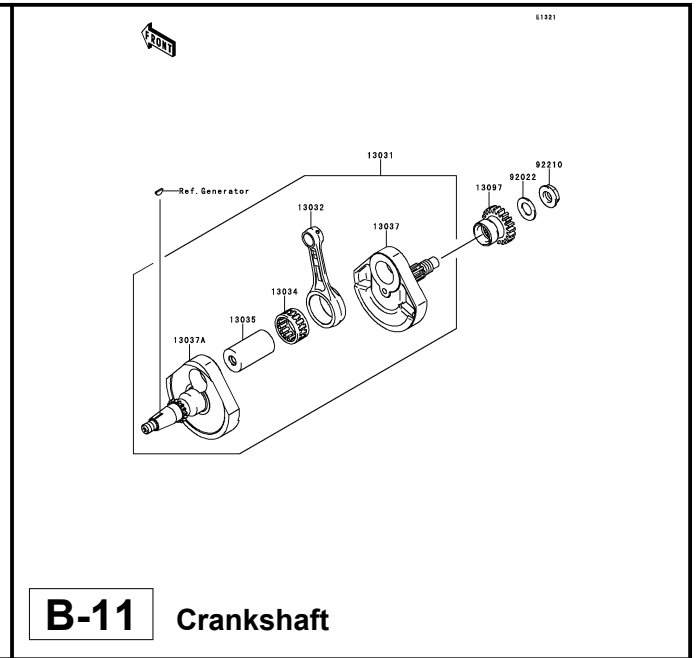
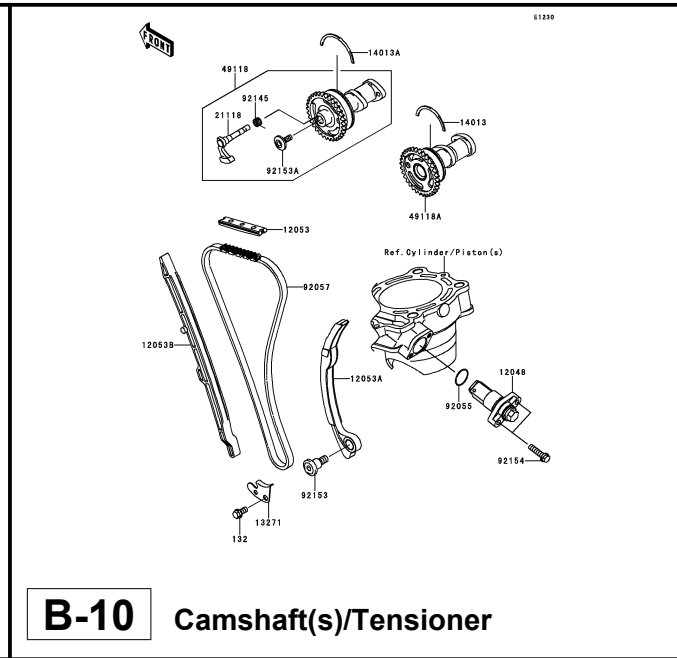
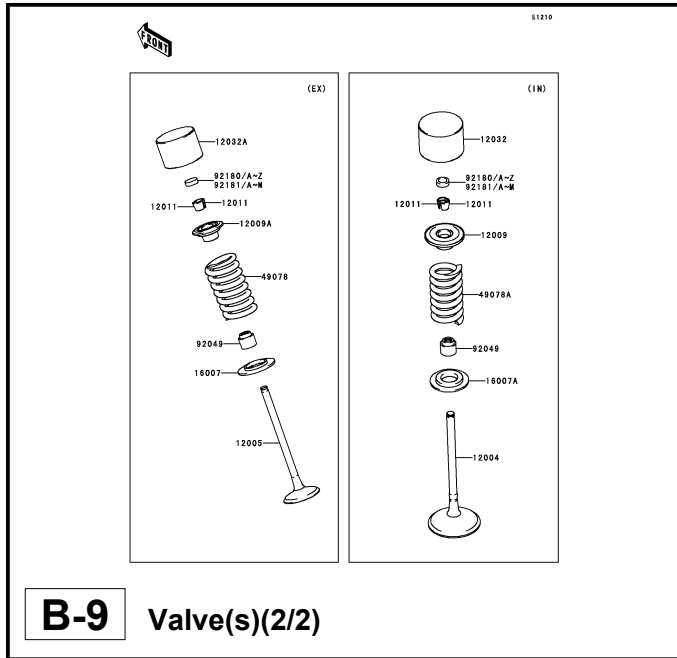
B-6 Air Cleaner



B-7 Muffler(s)



B-8 Valve(s)(1/2)



This catalog covers:

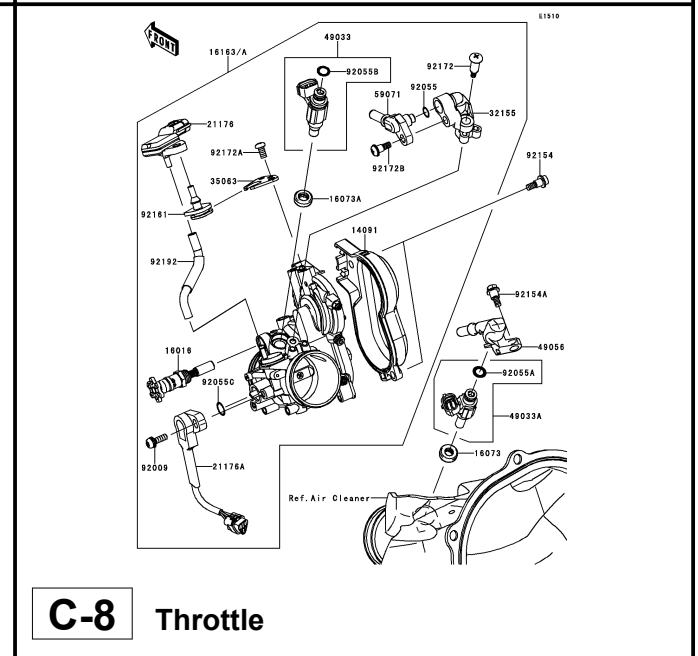
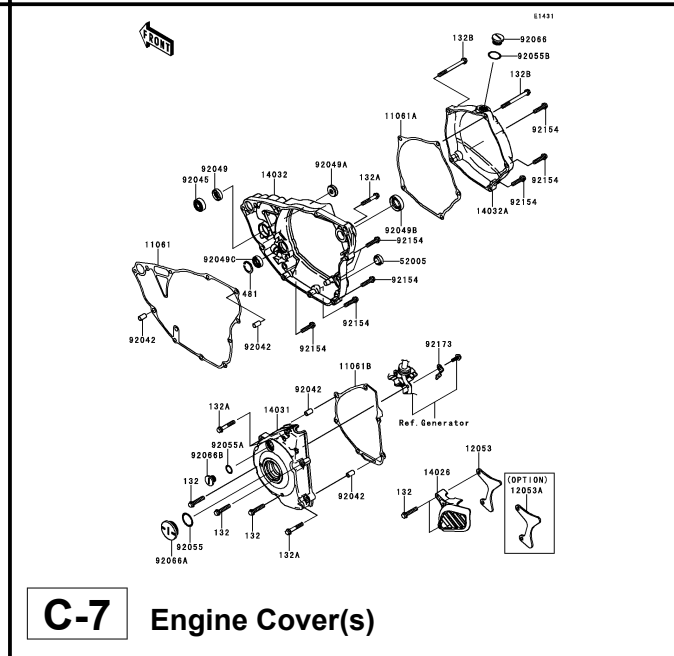
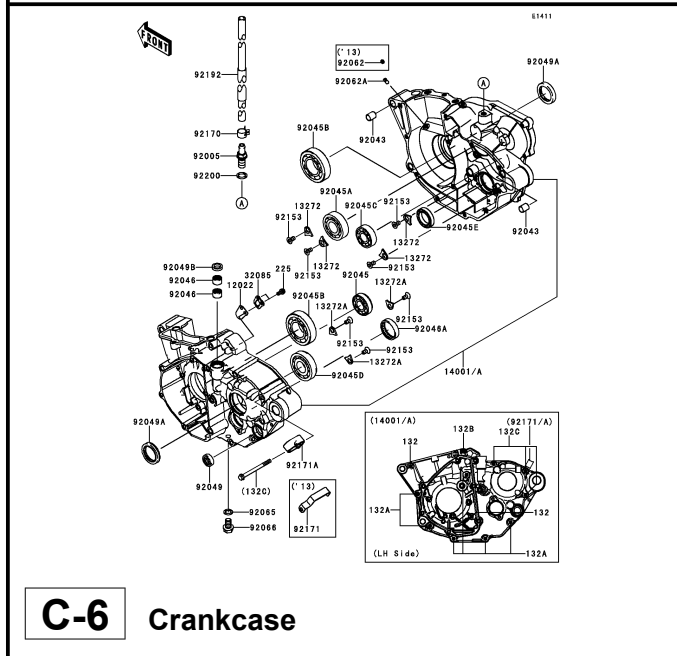
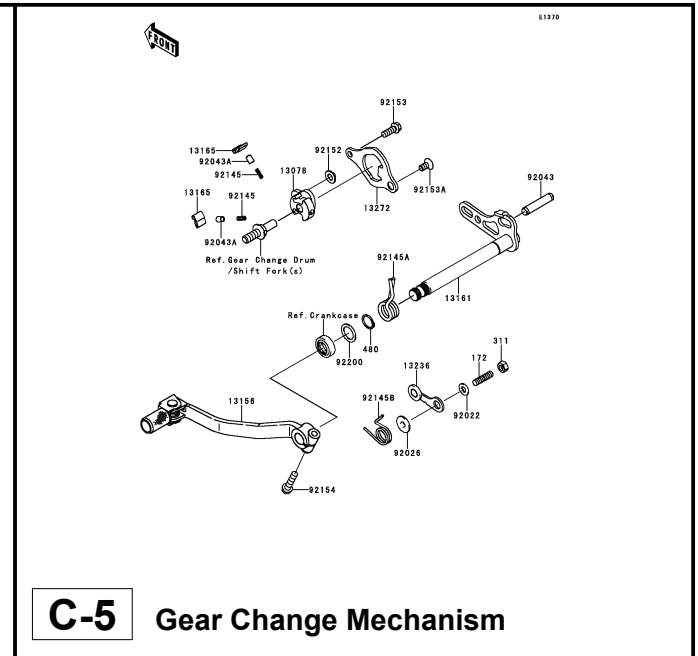
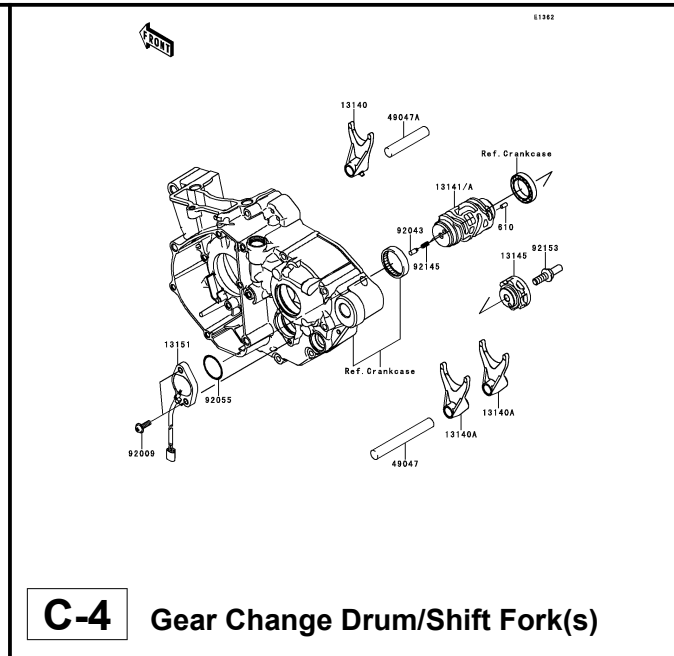
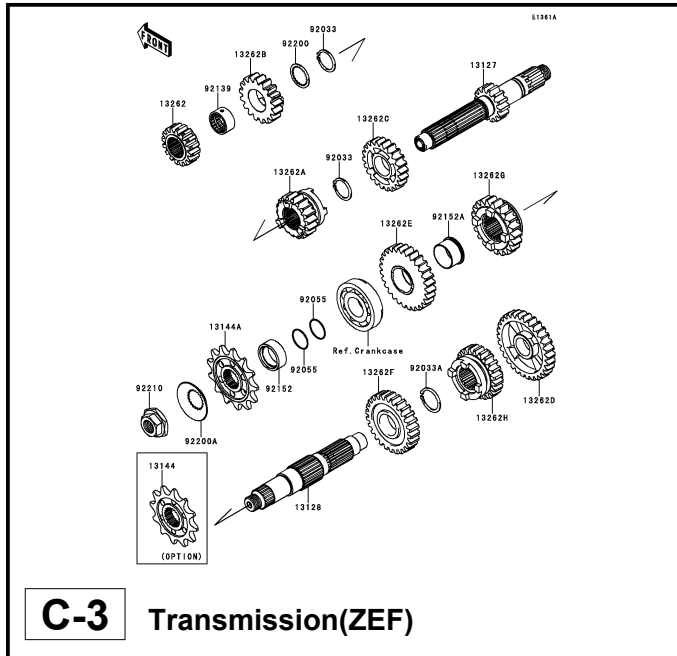
'13~'14 KX250 ZDF/ZEF Engine

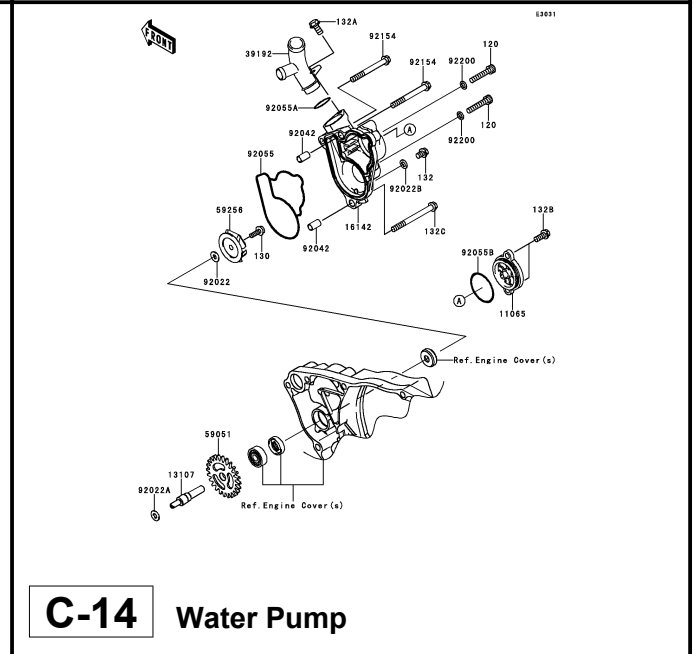
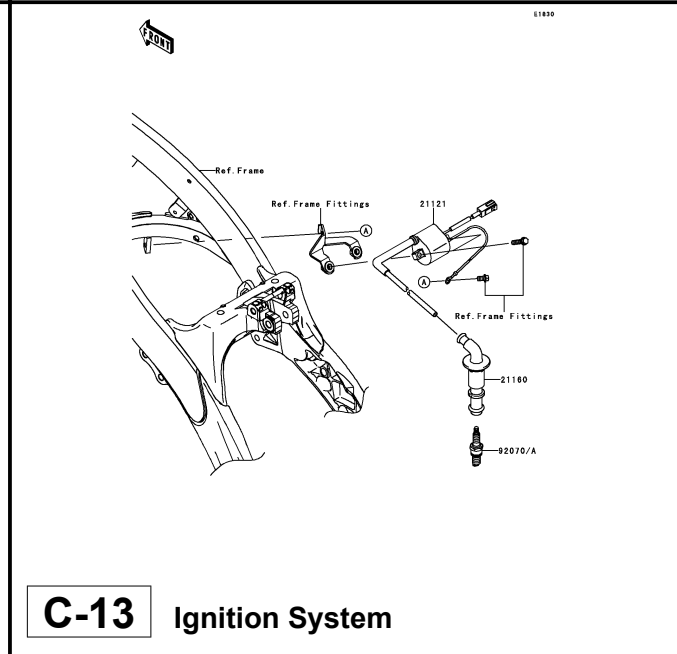
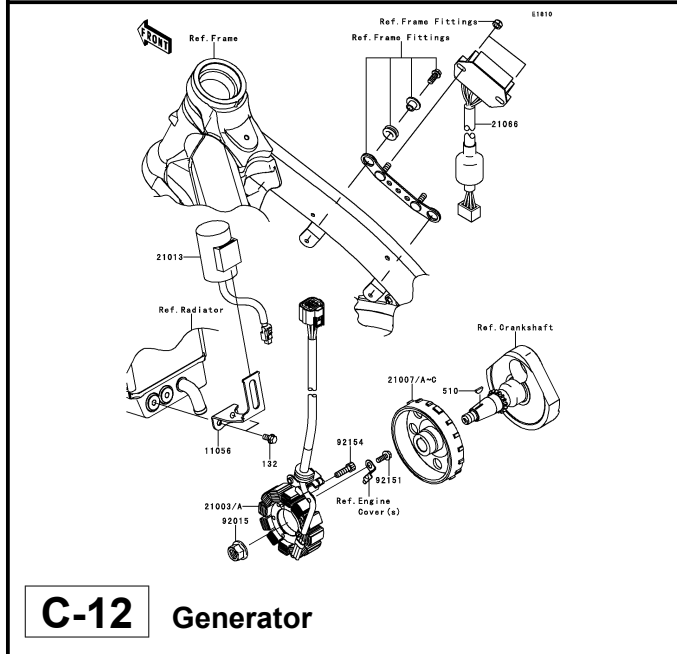
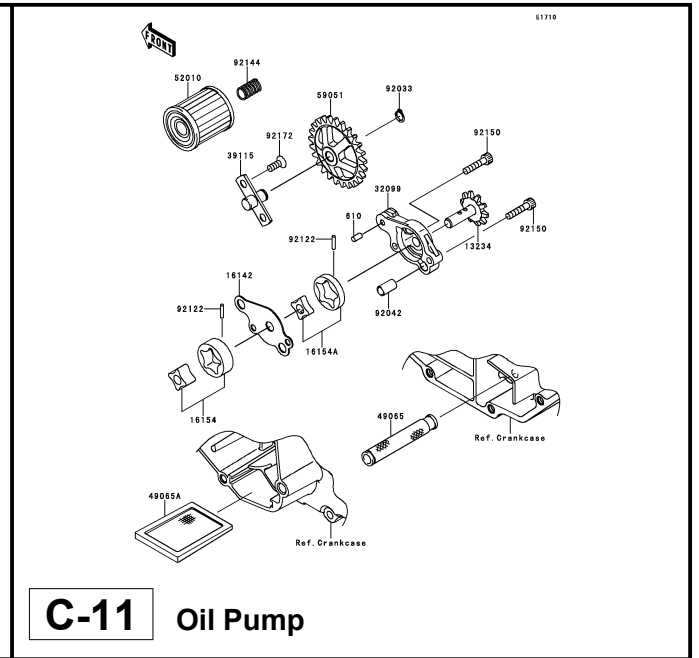
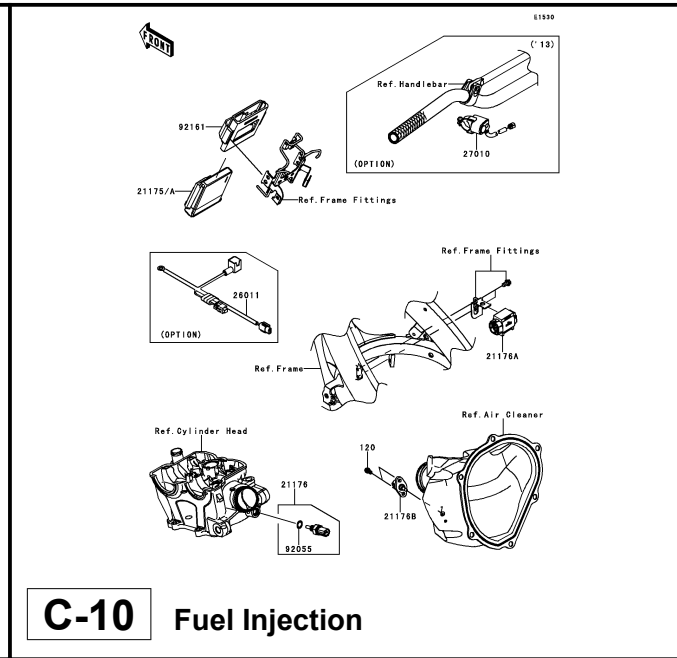
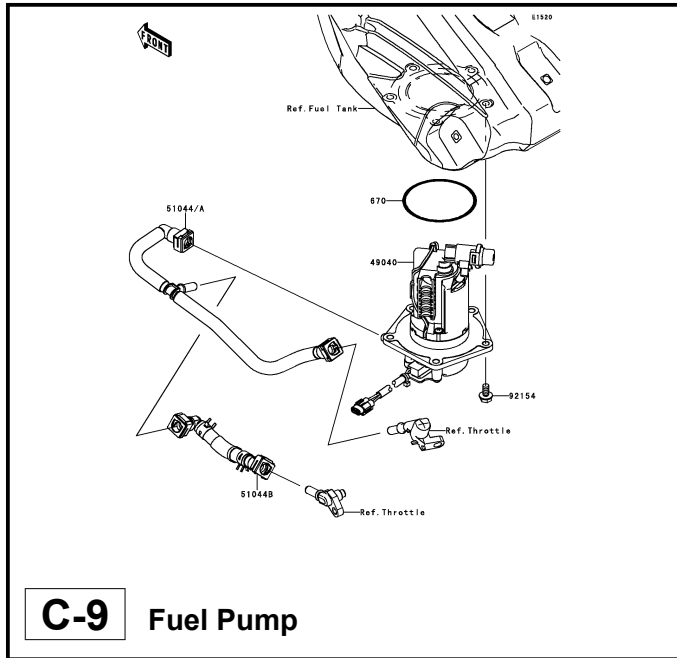
GRID NO.

C-1

This grid covers:

Pictorial Index





This catalog covers:

'13~'14 KX250 ZDF/ZEF Engine

GRID NO.

D-2

This grid covers:

Pictorial Index

This catalog covers:

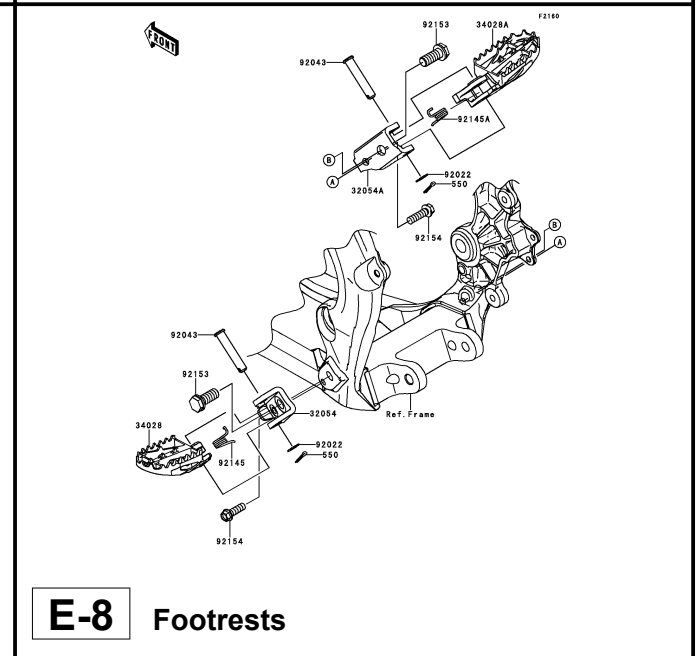
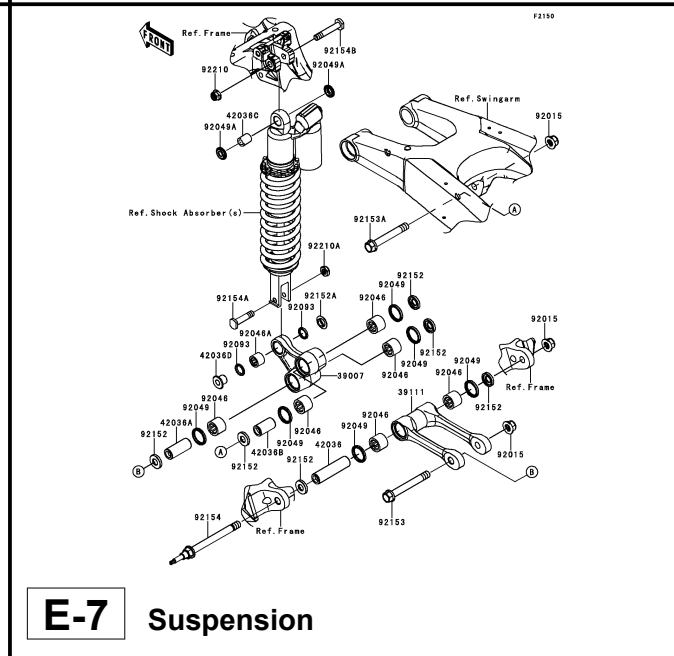
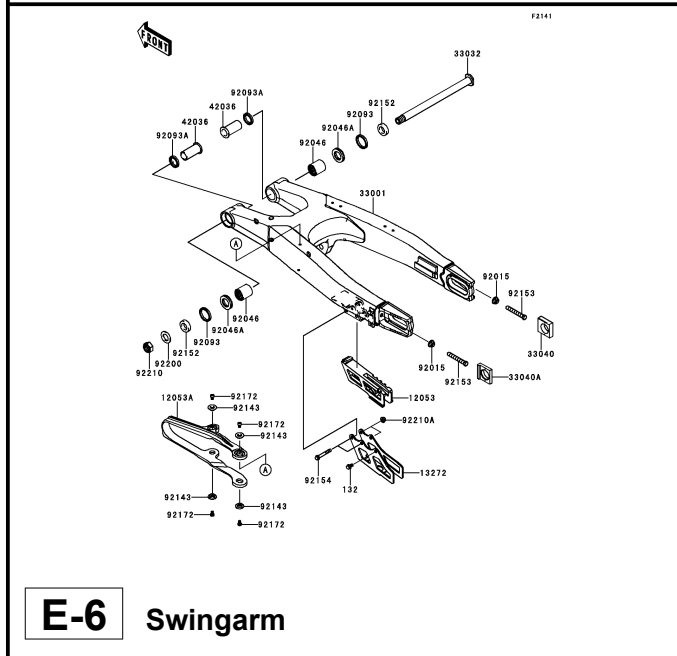
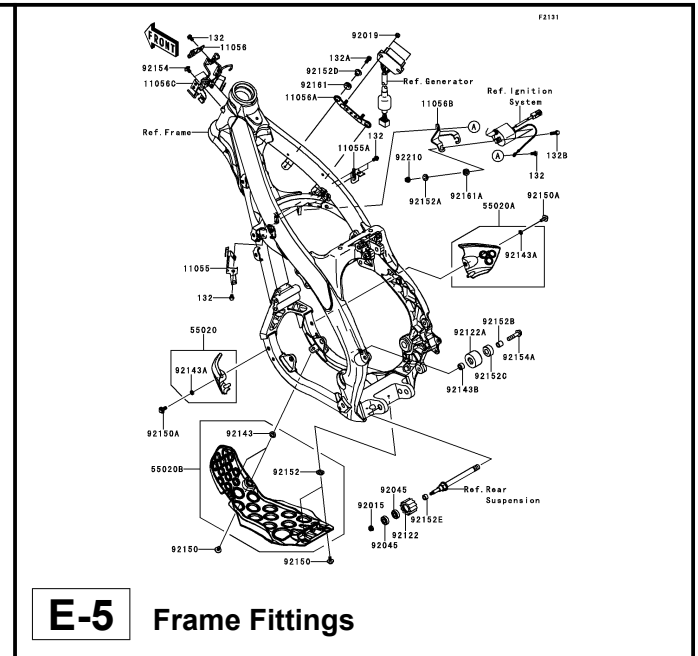
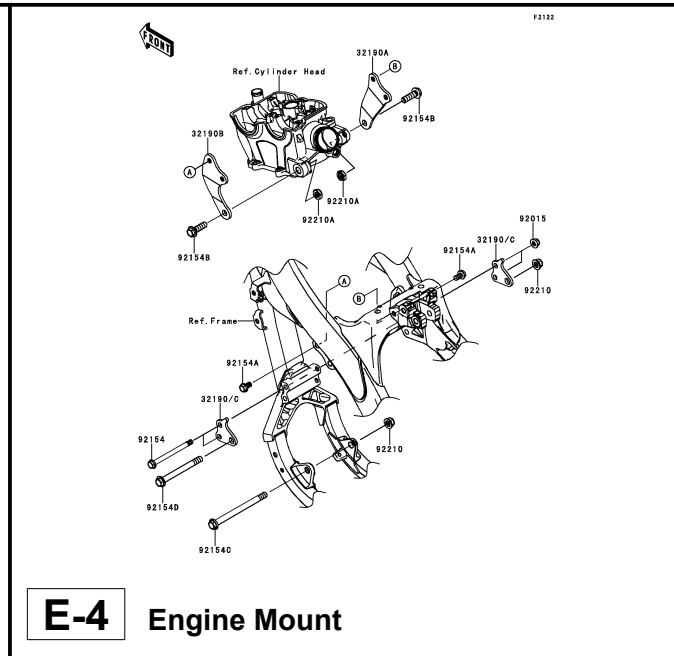
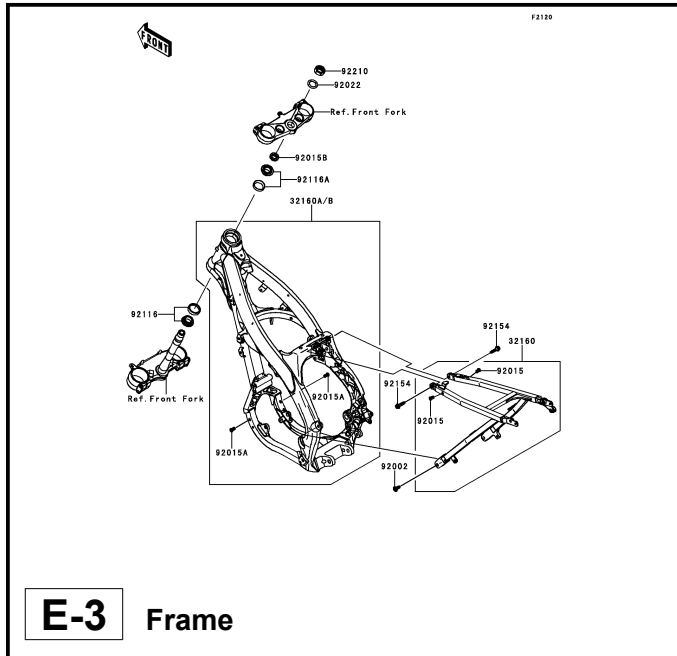
'13~'14 KX250 ZDF/ZEF Chassis

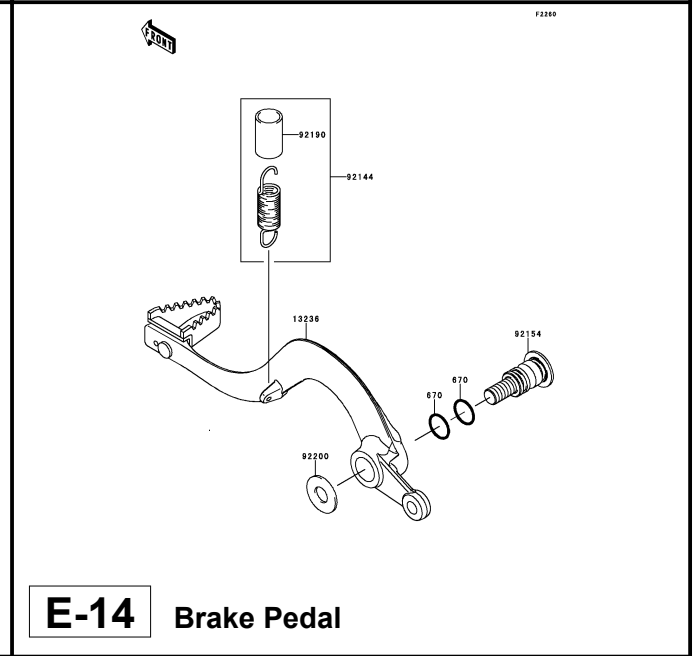
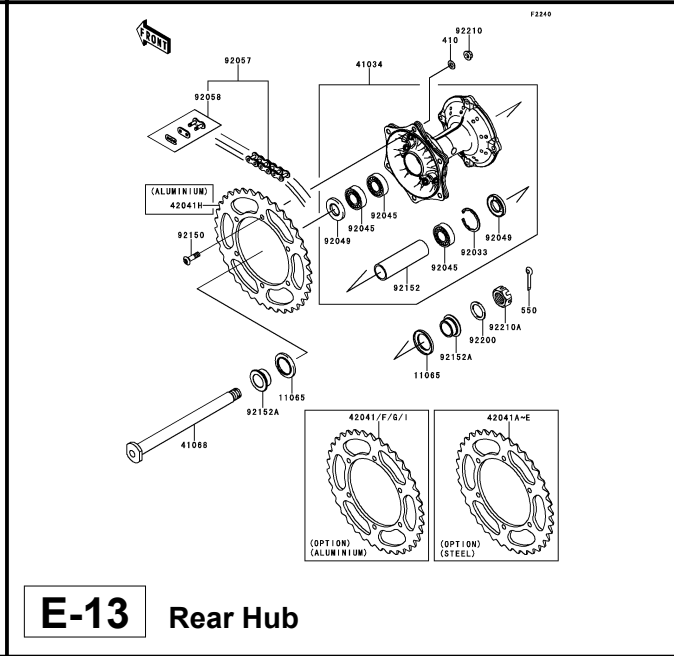
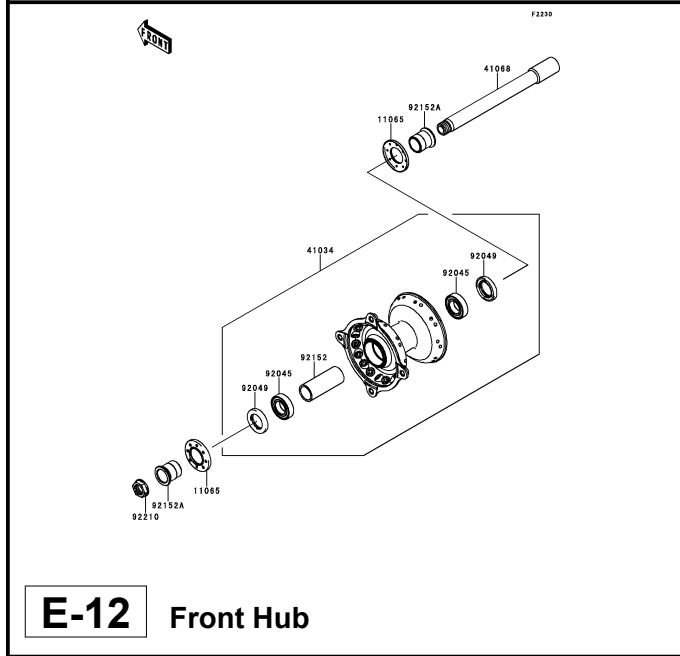
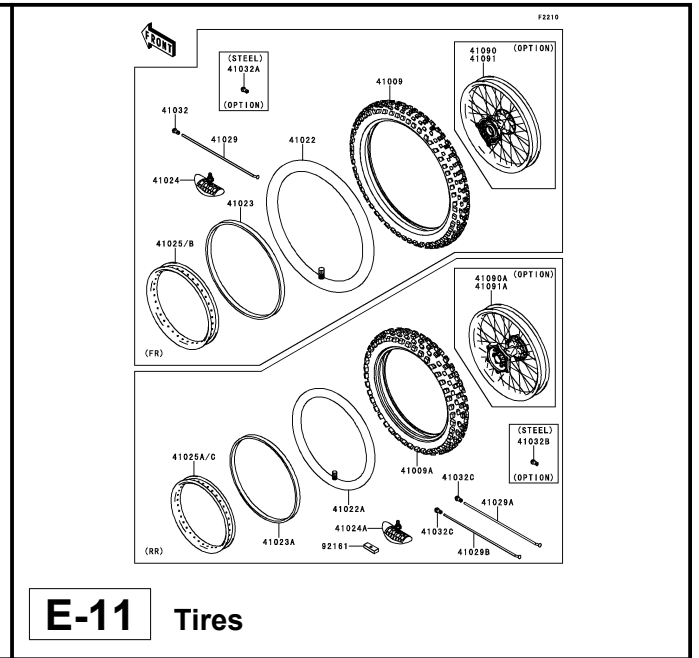
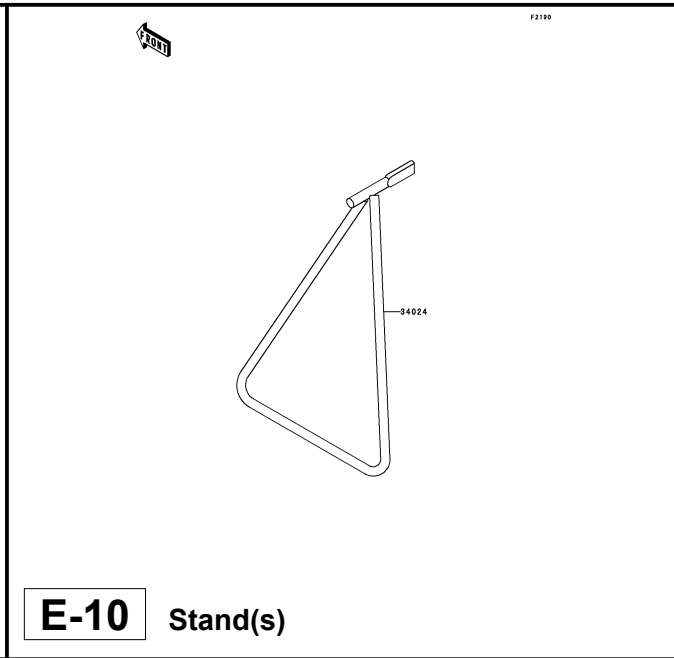
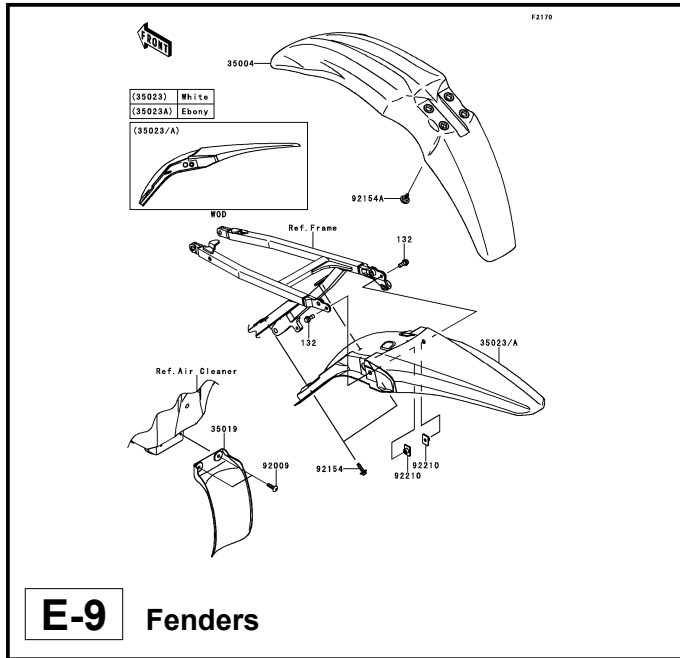
GRID NO.

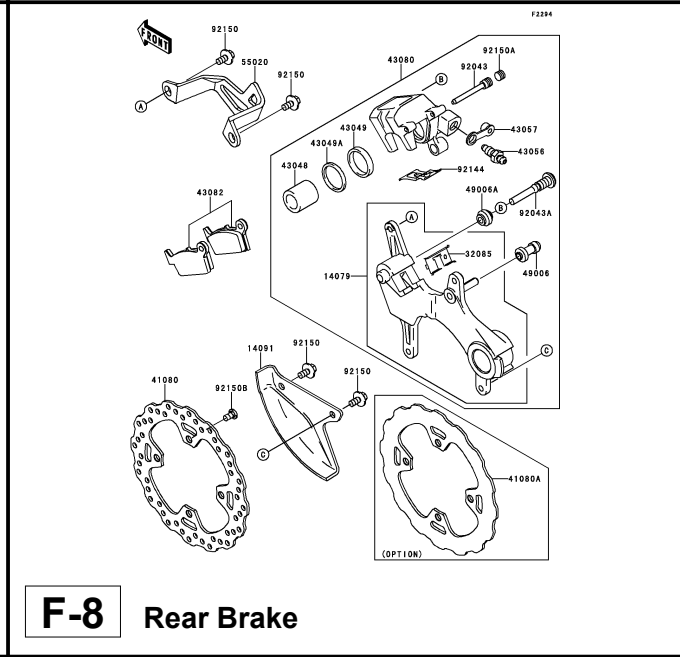
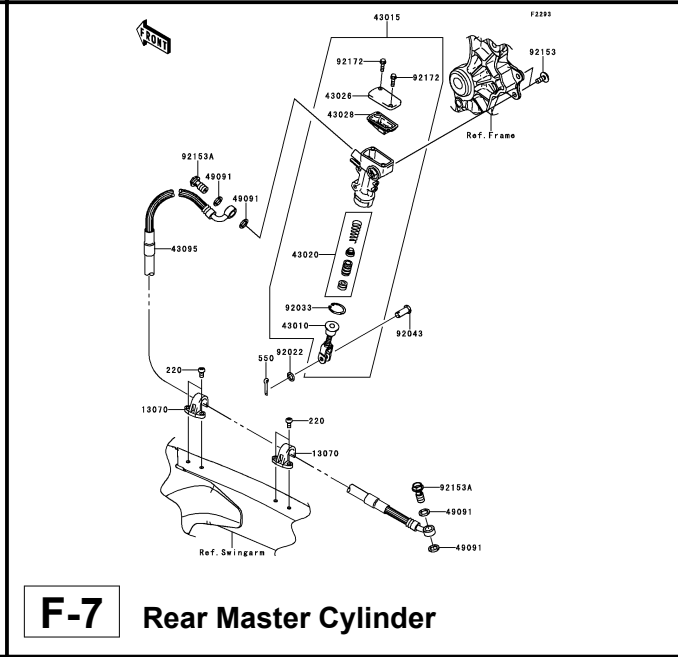
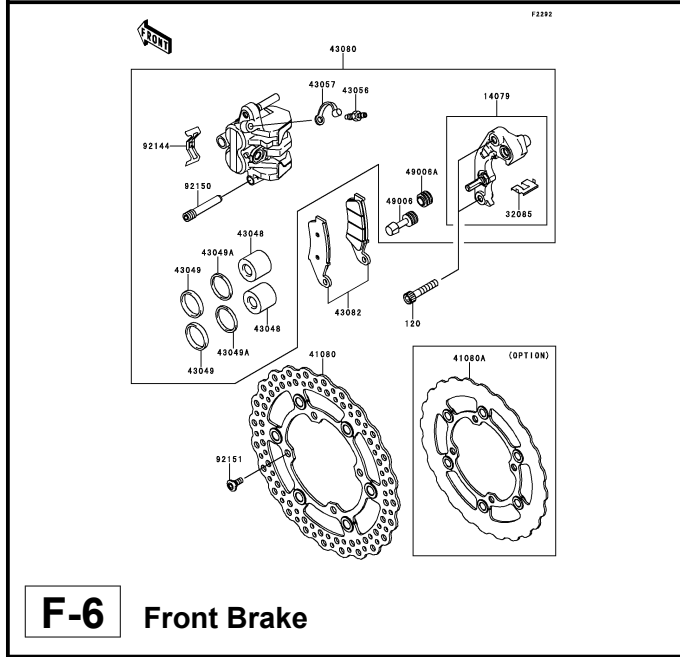
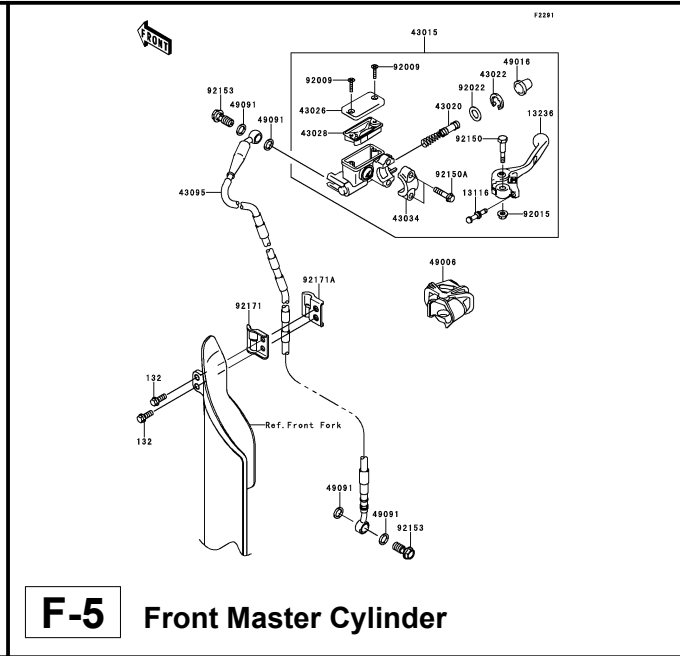
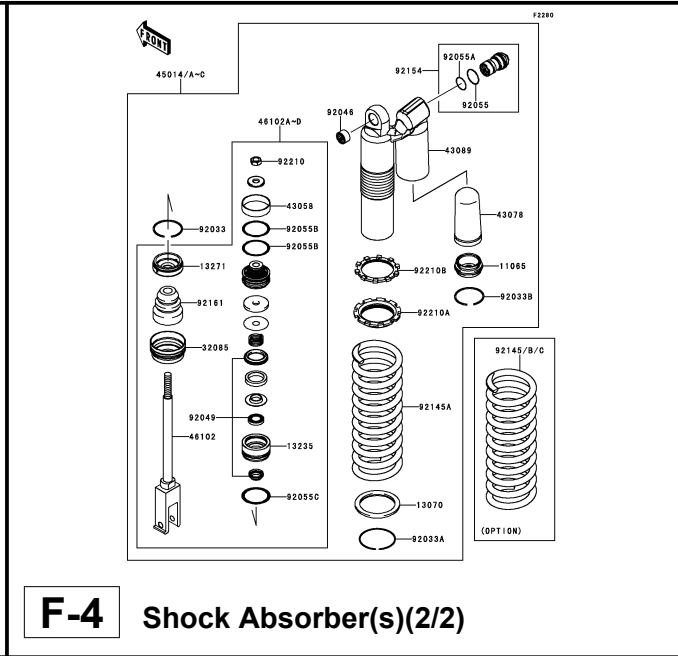
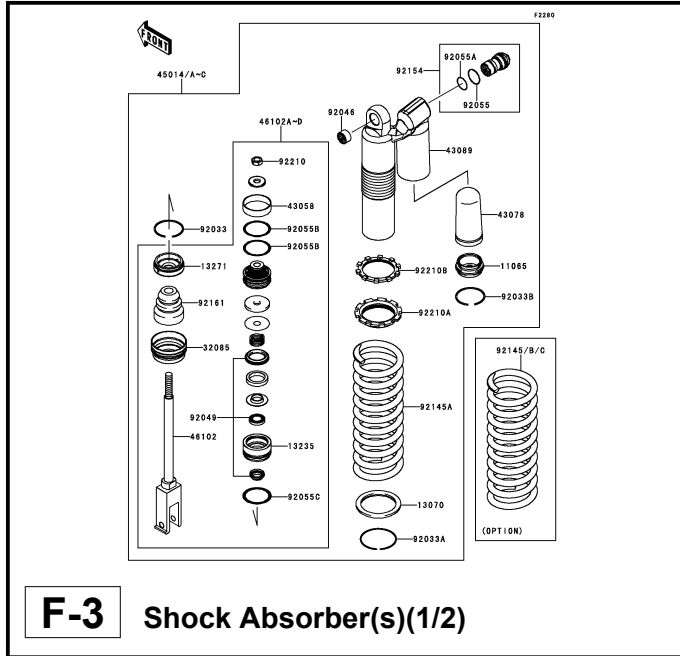
E-1

This grid covers:

Pictorial Index







This catalog covers:

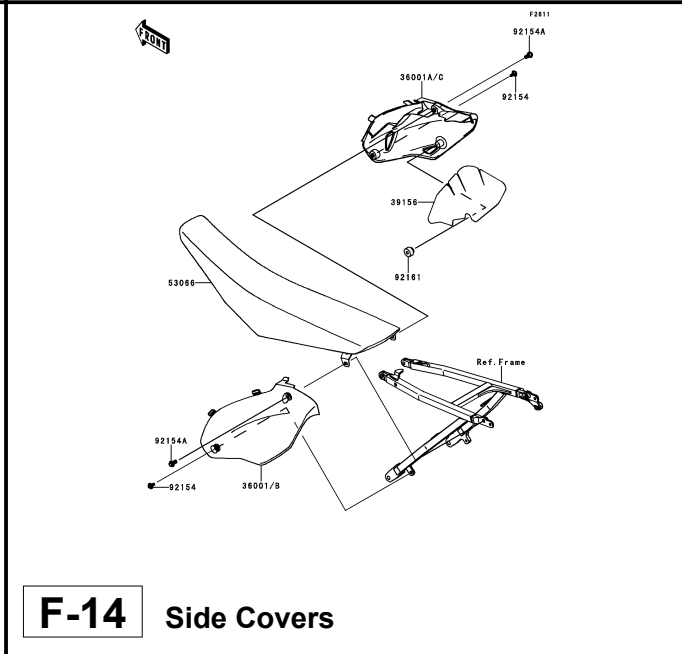
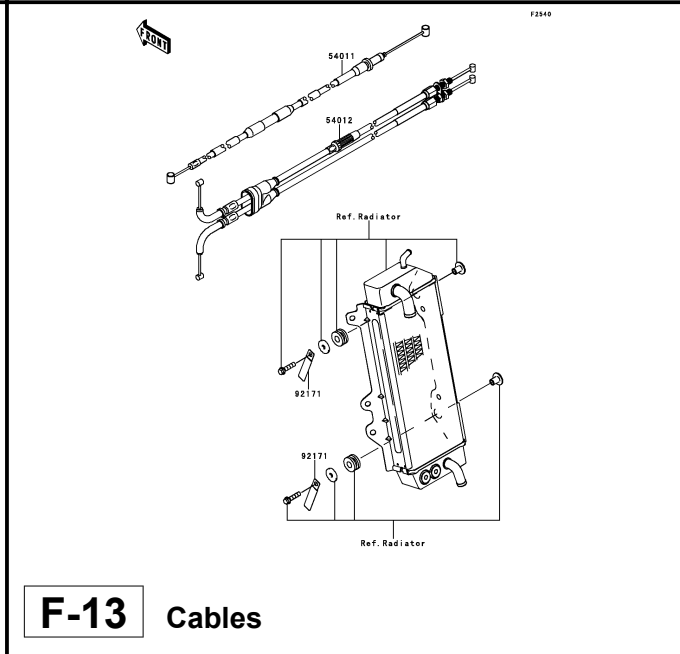
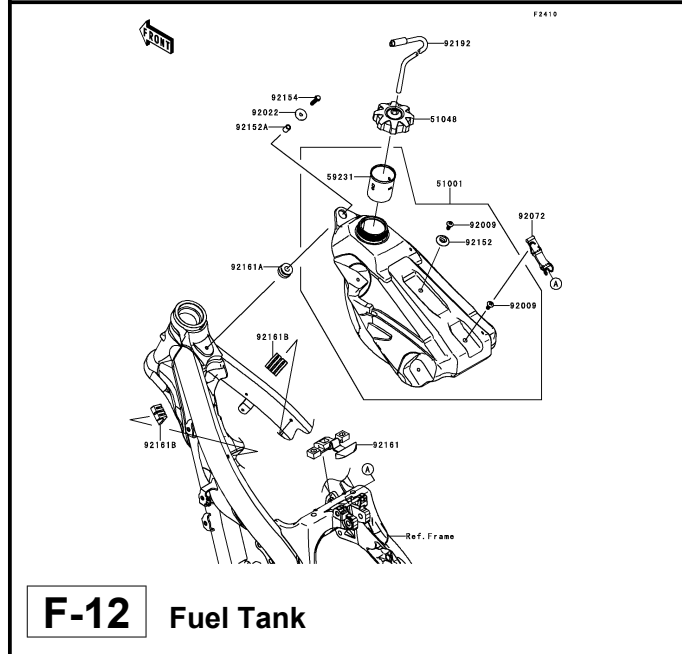
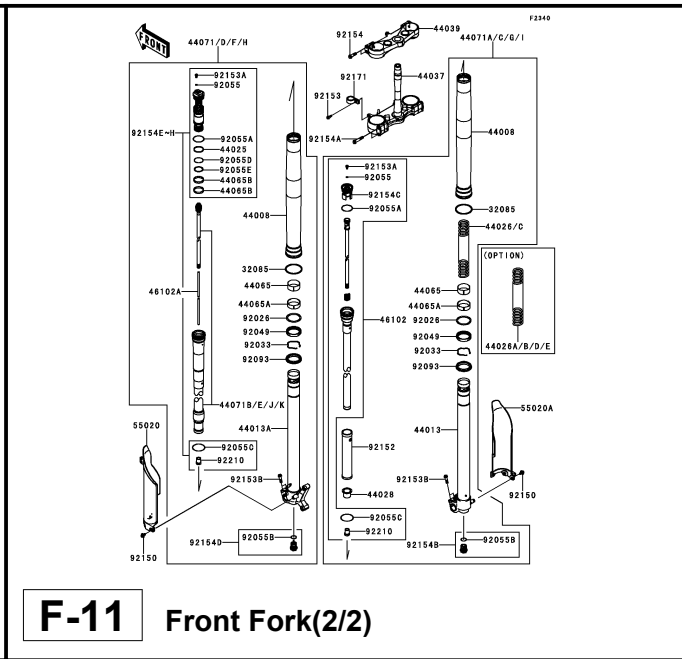
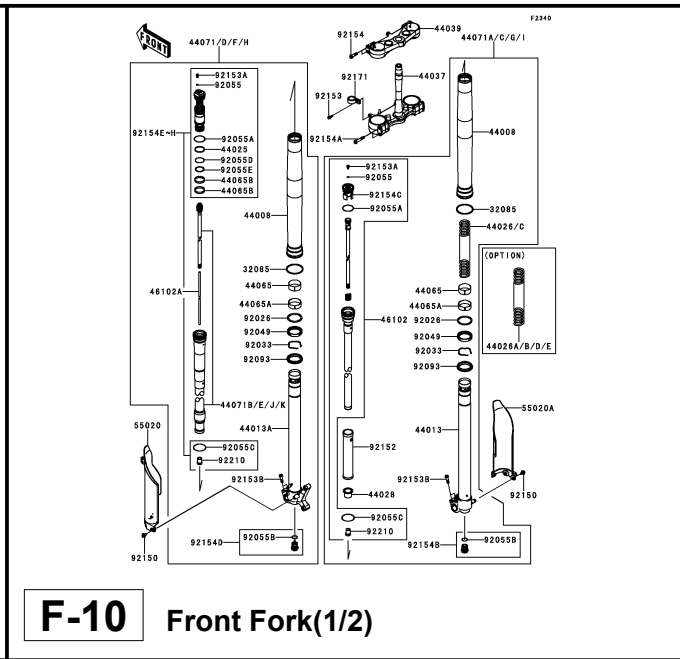
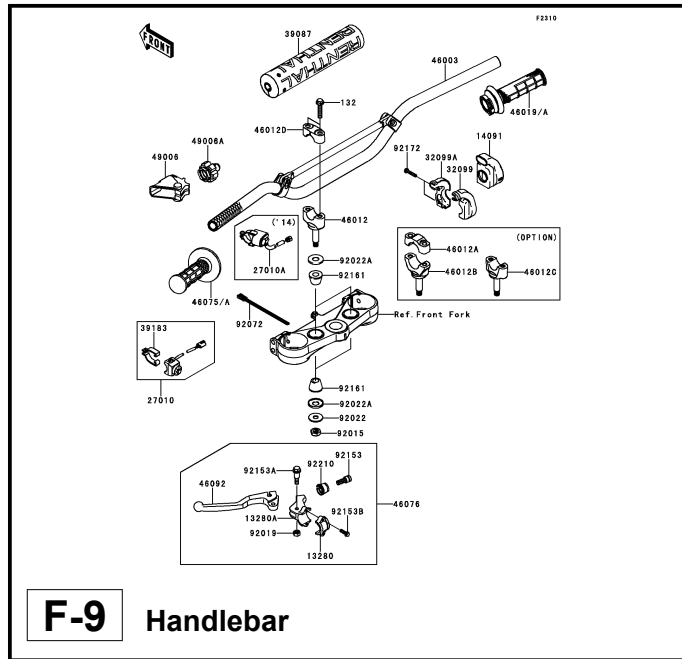
'13~'14 KX250 ZDF/ZEF Chassis

GRID NO.

F-2

This grid covers:

Pictorial Index



This catalog covers:

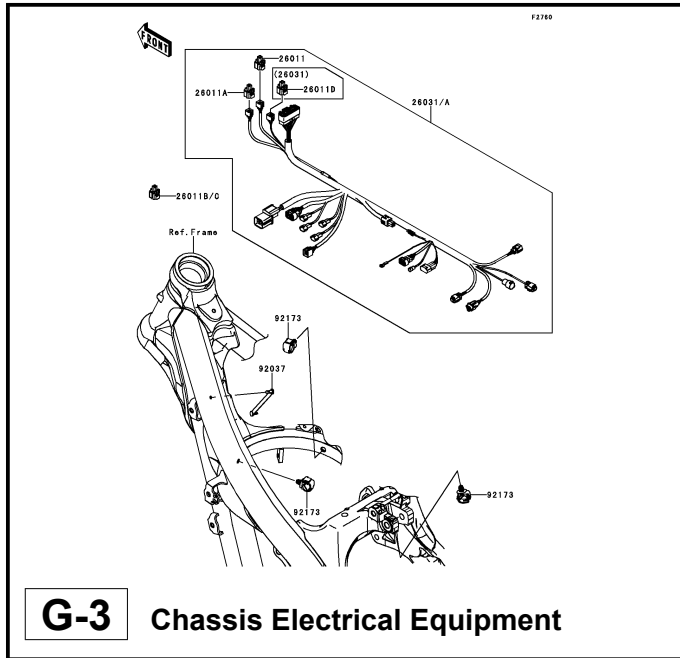
'13~'14 KX250 ZDF/ZEF Chassis

GRID NO.

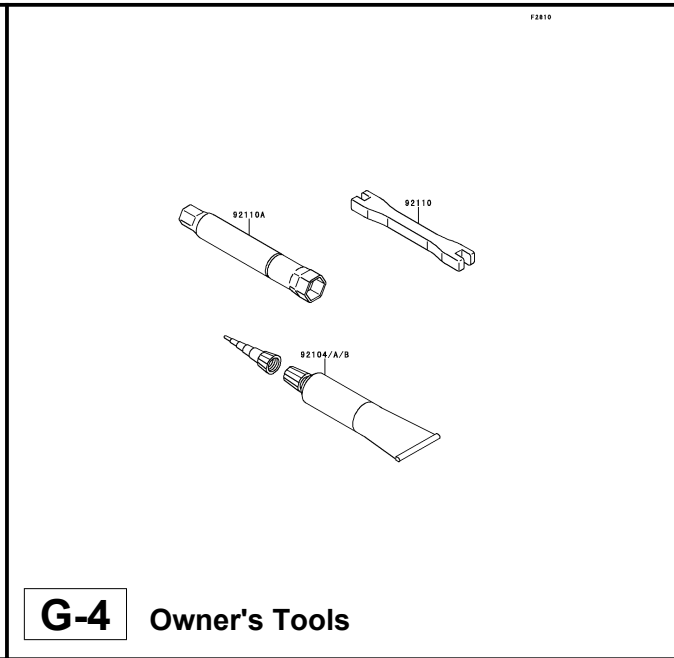
G-1

This grid covers:

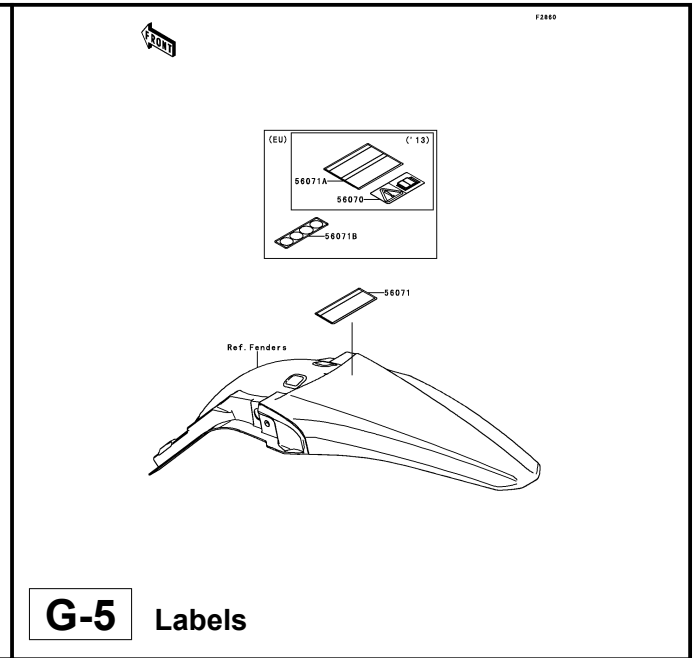
Pictorial Index



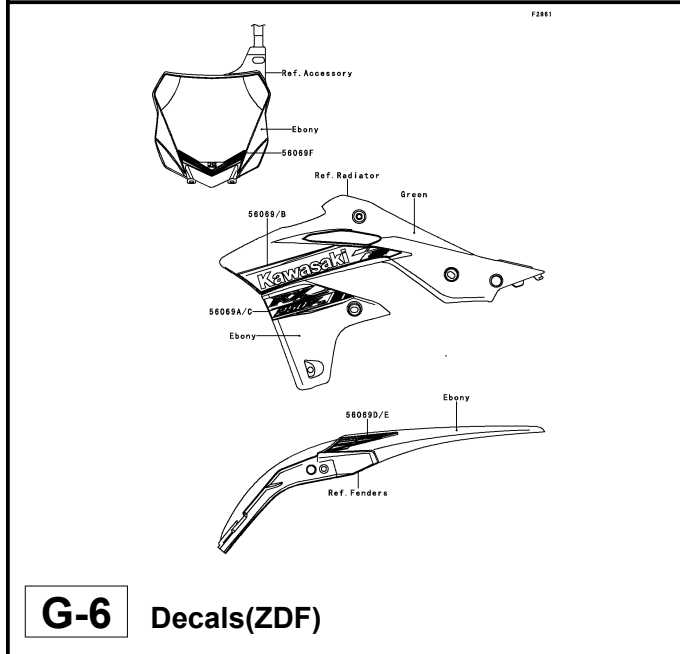
G-3 Chassis Electrical Equipment



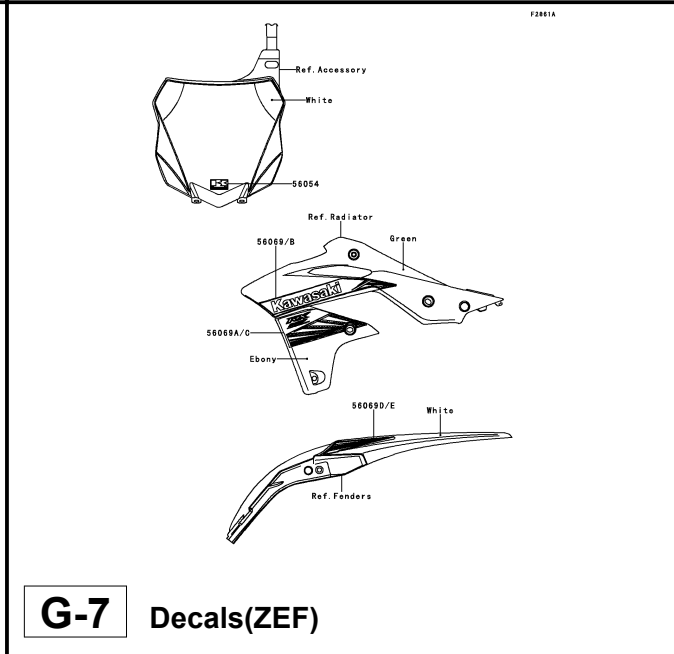
G-4 Owner's Tools



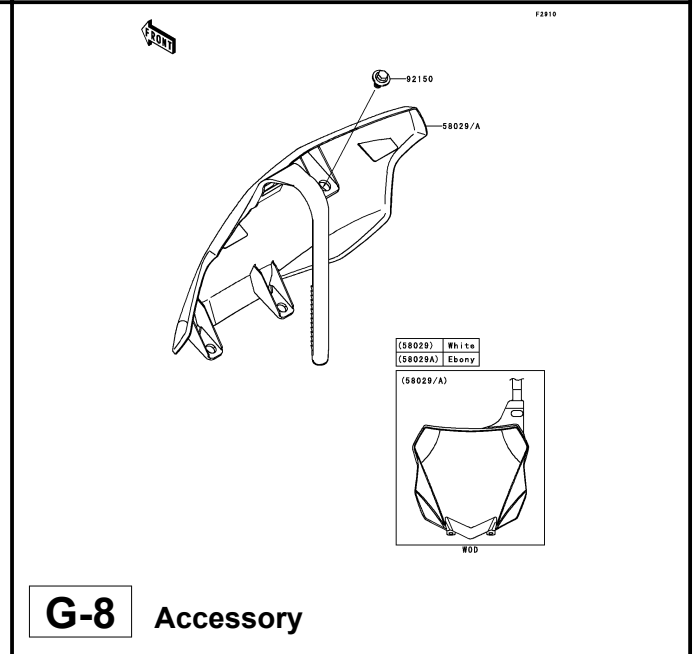
G-5 Labels



G-6 Decals(ZDF)



G-7 Decals(ZEF)



G-8 Accessory

This catalog covers:

'13~'14 KX250 ZDF/ZEF Chassis

GRID NO.

G-2

This grid covers:

Pictorial Index

F2820

Owner's Manual
(Local Procurement)

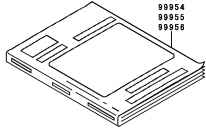
99976/A-C



Ref. No.	Language
	English
(99976/B)	French
	German
	Italian
(99976A/D)	Spanish
	Dutch

Service Manual

99901
99924
99953
99954
99955
99956



Ref. No.	Language
(99901)	Dutch
(99924)	English
(99953)	German
(99954)	French
(99955)	Italian
(99956)	Spanish

G-9 Manual(EU)

This catalog covers:

'13~'14 KX250 ZDF/ZEF Engine

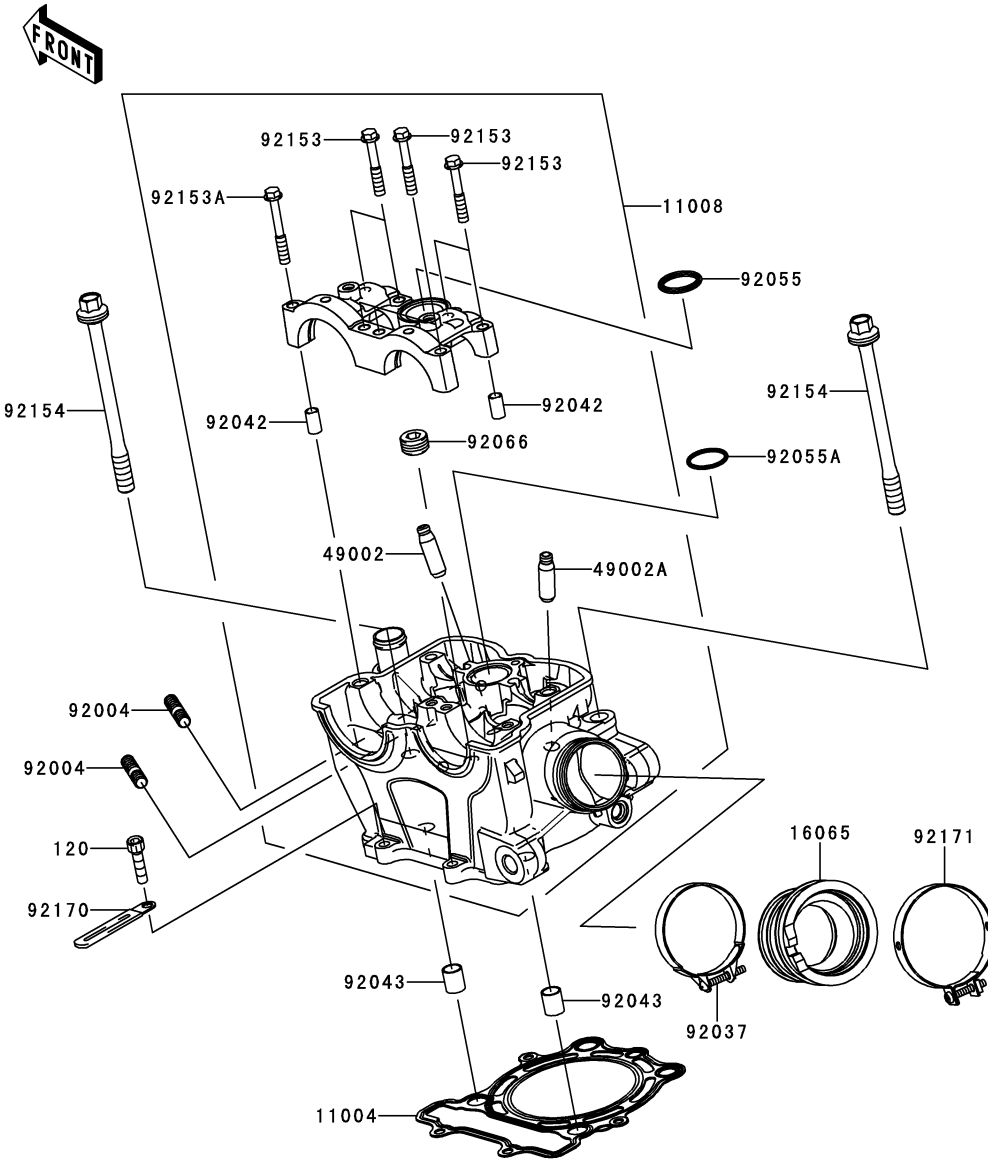
GRID NO.

B-3

This grid covers:

Cylinder Head

E1111



Ref. No.	Part No.	Description	Spec Code	Quantity-KX250			
				'13	'14		
				ZDF	ZEF		
11004	11004-0079	GASKET-HEAD	1	1			
11008	11008-0750	HEAD-COMP-CYLINDER	1	1			
16065	16065-0074	HOLDER-CARBURETOR	1	1			
49002	49002-0003	GUIDE-VALVE	2	2			
49002A	49002-0016	GUIDE-VALVE	2	2			
92004	92004-0025	STUD,8X22	2	2			
92037	92037-1523	CLAMP	1	1			
92042	92042-007	PIN,DOWEL,6.3X8X14	2	2			
92043	92043-4009	PIN,10.1X12X14	2	2			
92055	92055-0150	RING-O,24.7X2.4	1	1			
92055A	92055-0729	RING-O,25X1.9X1.35	1	1			
92066	92066-3777	PLUG,10X16.6	1	1			
92153	92153-0338	BOLT,6X38	7	7			
92153A	92153-0339	BOLT,6X45	1	1			
92154	92154-1094	BOLT,FLANGED,10X122	4	4			
92170	92170-1514	CLAMP	2	2			
92171	92171-0857	CLAMP,62MM	1	1			
120	120CA0625	BOLT-SOCKET,6X25	2	2			

This catalog covers:

'13~'14 KX250 ZDF/ZEF Engine

GRID NO.

B-4

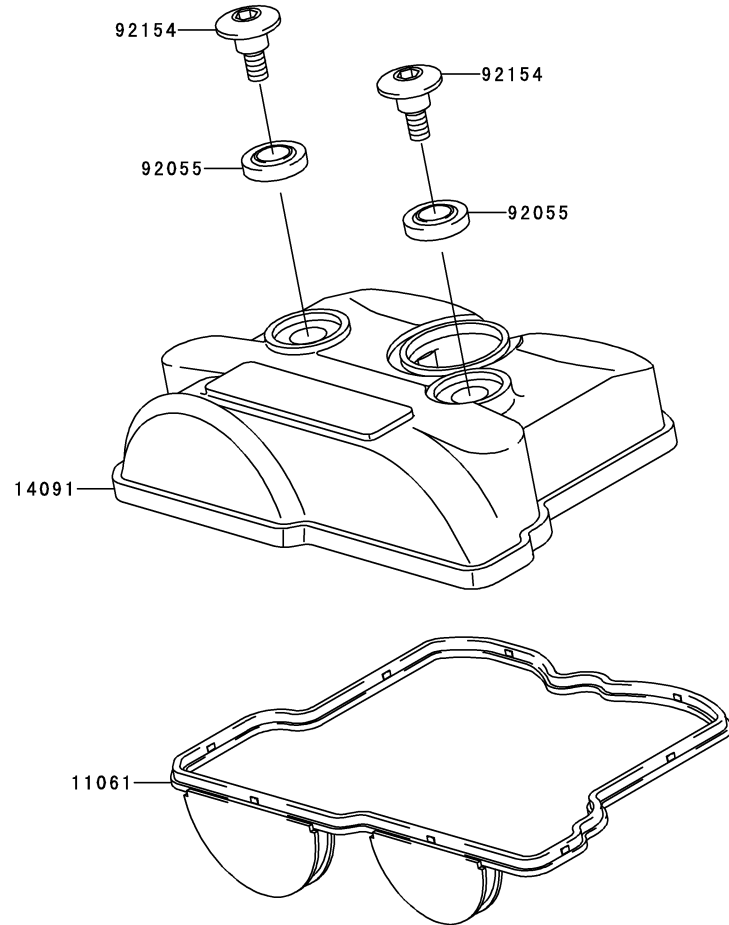
This grid covers:

Cylinder Head Cover



E1112

Ref. No.	Part No.	Description	Spec Code	Quantity-KX250			
				'13	'14		
				ZDF	ZEF		
11061	11061-0350	GASKET,CYLINDER HEAD	1	1			
14091	14091-1629	COVER,CYLINDER HEAD	1	1			
92055	92055-1352	RING-O,HEAD COVER BOLT	2	2			
92154	92154-0535	BOLT,SOCKET,6MM	2	2			



This catalog covers:

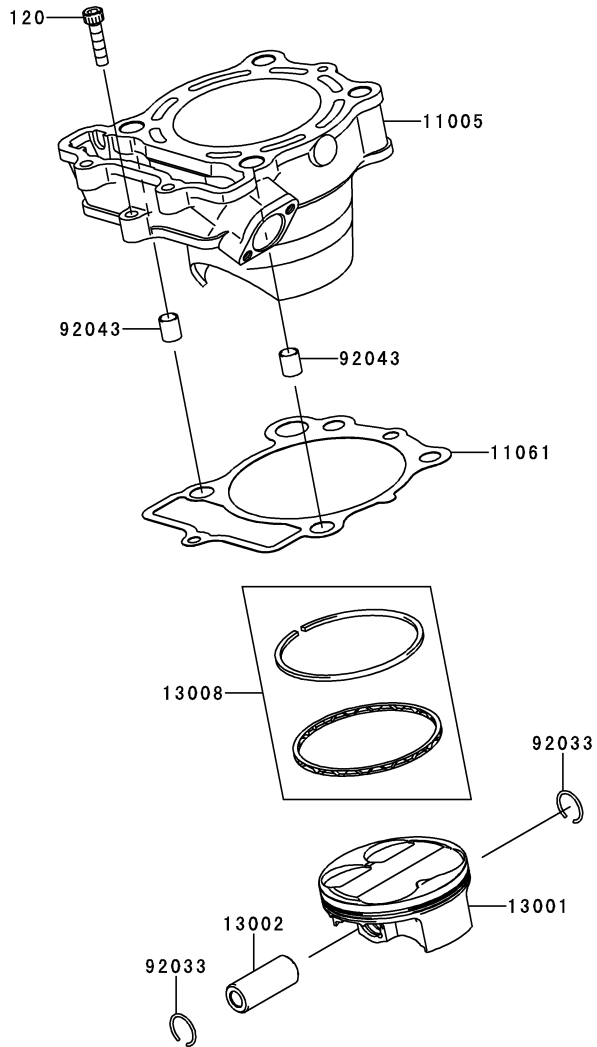
'13~'14 KX250 ZDF/ZEF Engine

GRID NO.

B-5

This grid covers:

Cylinder/Piston(s)



E1120

Ref. No.	Part No.	Description	Spec Code	Quantity-KX250			
				'13	'14		
				ZDF	ZEF		
11005	11005-0613	CYLINDER-ENGINE		1	1		
11061	11061-0357	GASKET,CYLINDER BASE		1	1		
13001	13001-0730	PISTON-ENGINE		1	1		
13002	13002-0030	PIN-PISTON		1	1		
13008	13008-0028	RING-SET-PISTON		1	1		
92033	92033-1161	RING-SNAP,PISTON PIN		2	2		
92043	92043-4009	PIN,10.1X12X14		2	2		
120	120CA0625	BOLT-SOCKET,6X25		1	1		

This catalog covers:

'13~'14 KX250 ZDF/ZEF Engine

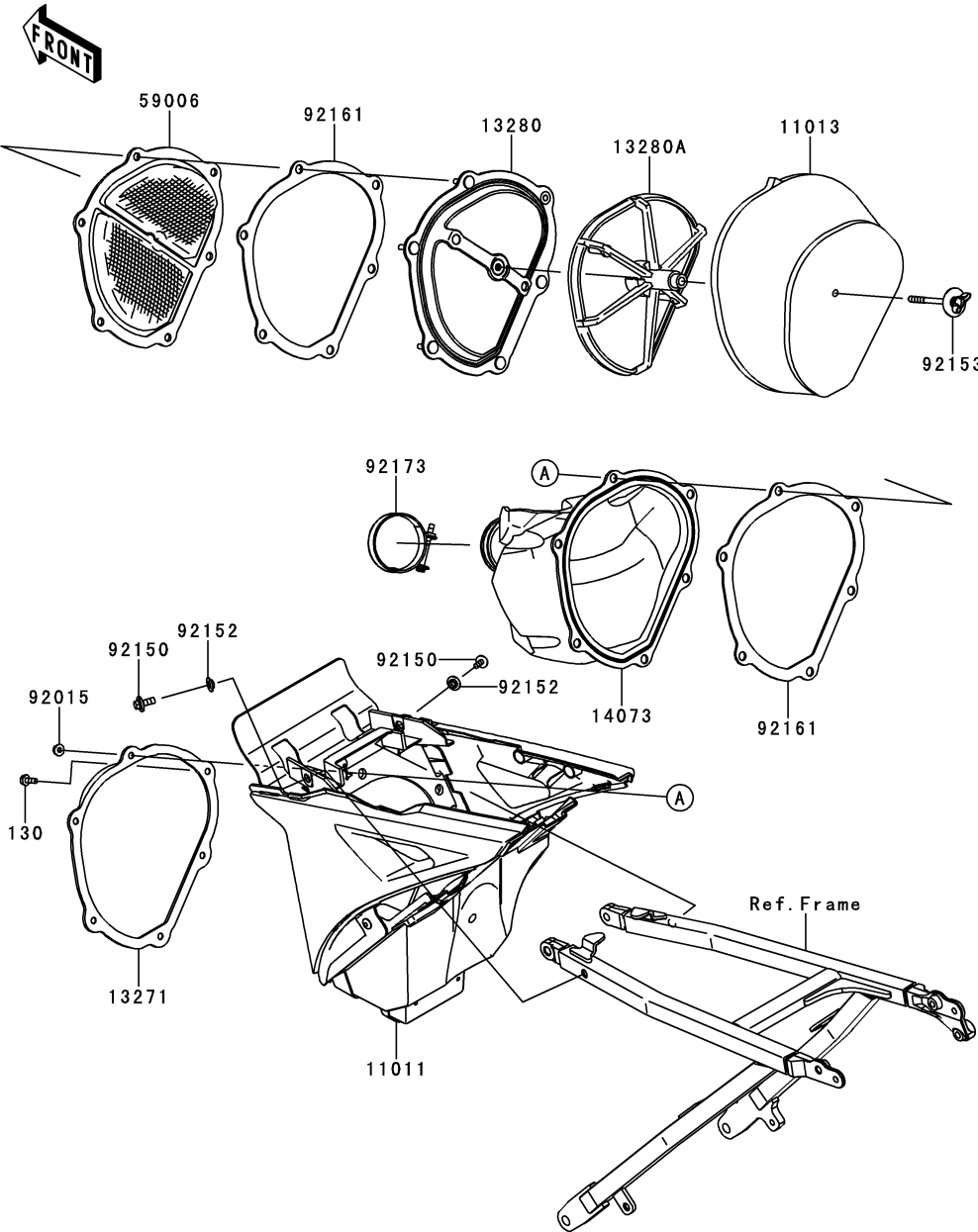
GRID NO.

B-6

This grid covers:

Air Cleaner

E1130



Ref. No.	Part No.	Description	Spec Code	Quantity-KX250			
				'13	'14		
				ZDF	ZEF		
11011	11011-0757-6C	CASE-AIR FILTER,EBONY	1	1			
11013	11013-0722	ELEMENT-AIR FILTER	1	1			
13271	13271-0730	PLATE,DUCT FITTING	1	1			
13280	13280-0170	HOLDER	1	1			
13280A	13280-0751	HOLDER,ELEMENT	1	1			
14073	14073-0756	DUCT	1	1			
59006	59006-0011	ARRESTER-FLAME	1	1			
92015	92015-1259	NUT,FLANGED,5MM	5	5			
92150	92150-1506	BOLT,FLANGED,6X16	2	2			
92152	92152-0275	COLLAR	2	2			
92153	92153-0623	BOLT,6X75	1	1			
92161	92161-0213	DAMPER	2	2			
92173	92173-1002	CLAMP,57.5MM	1	1			
130	130BA0512	BOLT-FLANGED,5X12	1	1			

This catalog covers:

'13~'14 KX250 ZDF/ZEF Engine

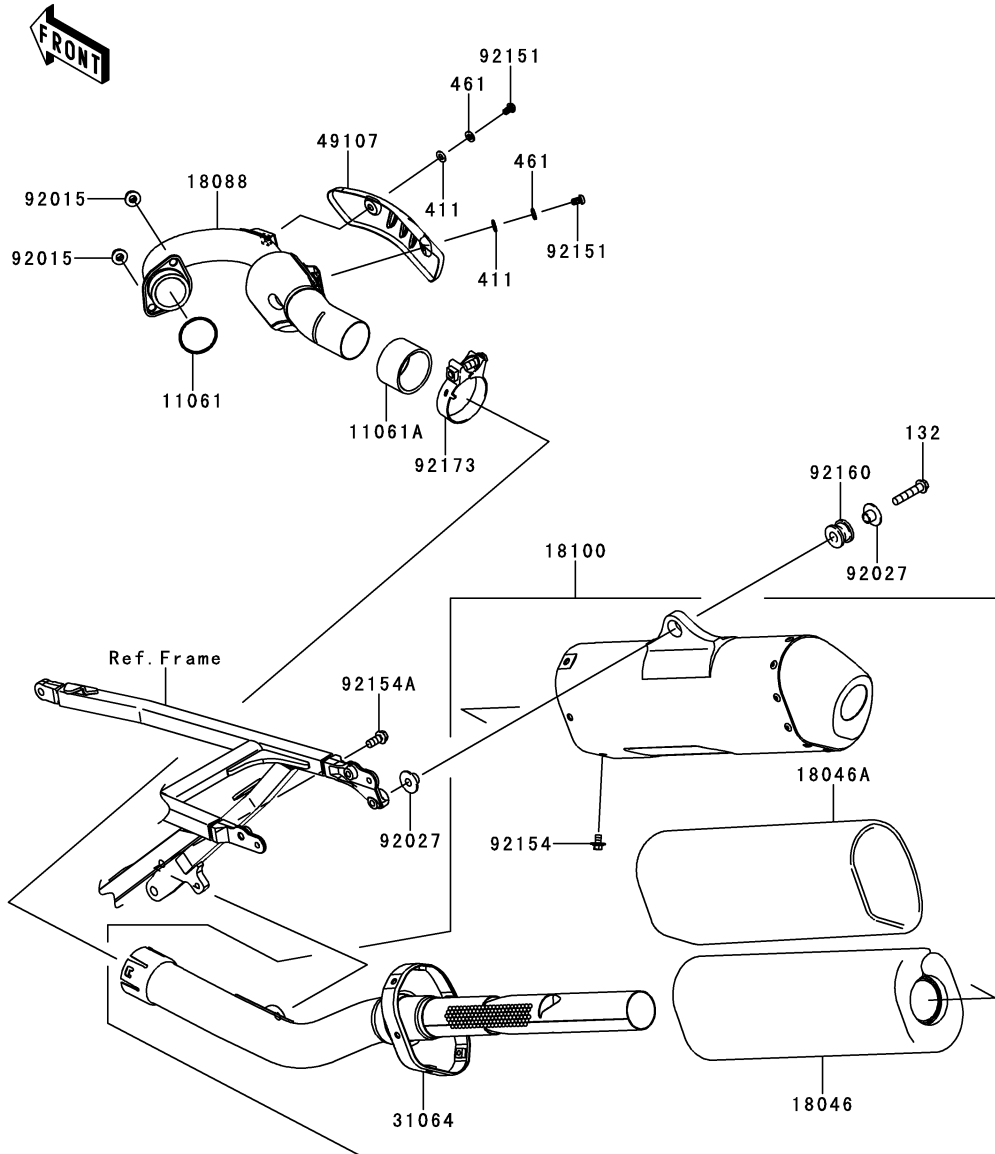
GRID NO.

B-7

This grid covers:

Muffler(s)

E1140



Ref. No.	Part No.	Description	Spec Code	Quantity-KX250			
				'13	'14	ZDF	ZEF
11061	11061-0027	GASKET,EX PIPE		1	1		
11061A	11061-0434	GASKET,CONNECTING		1	1		
18046	18046-0231	WOOL		1	1		
18046A	18046-0579	WOOL		1	1		
18088	18088-0831	PIPE-EXHAUST		1	1		
18100	18100-0559	BODY-ASSY-MUFFLER		1	1		
31064	31064-0607	PIPE-COMP		1	1		
49107	49107-0752	COVER-EXHAUST PIPE		1	1		
92015	92015-1402	NUT,8MM		2	2		
92027	92027-1653	COLLAR,FLANGED,8.8X10.6		2	2		
92151	92151-1449	BOLT,SOCKET,6X10		2	2		
92154	92154-0396	BOLT,FLANGED,6X10		6	6		
92154A	92154-0519	BOLT,FLANGED,8X18		1	1		
92160	92160-1116	DAMPER,MUFFLER MOUNT		1	1		
92173	92173-0885	CLAMP,57MM		1	1		
132	132BA0840	BOLT-FLANGED-SMALL,8X40		1	1		
411	411S0600	WASHER-PLAIN,6MM		2	2		
461	461S0600	WASHER-SPRING,6MM		2	2		

This catalog covers:

'13~'14 KX250 ZDF/ZEF Engine

GRID NO.

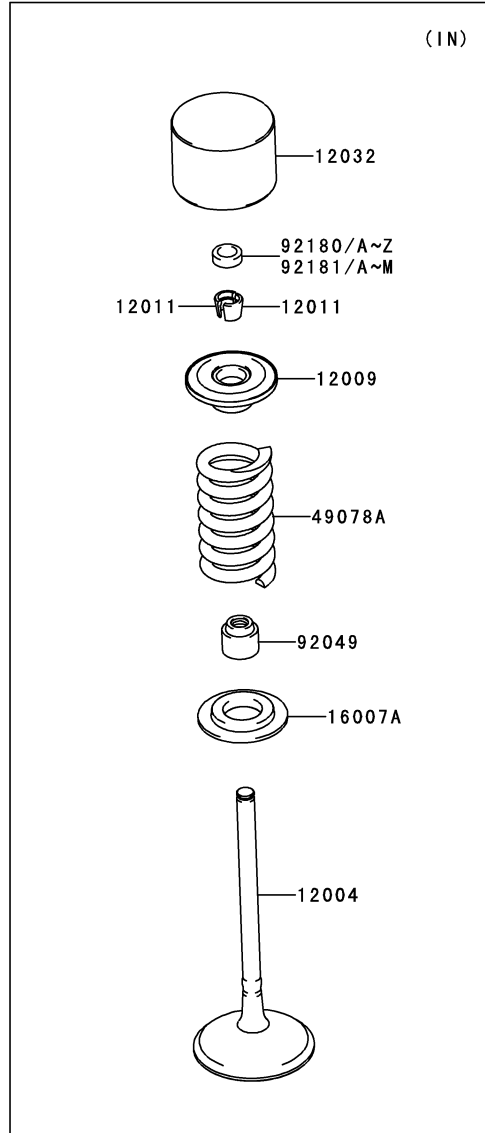
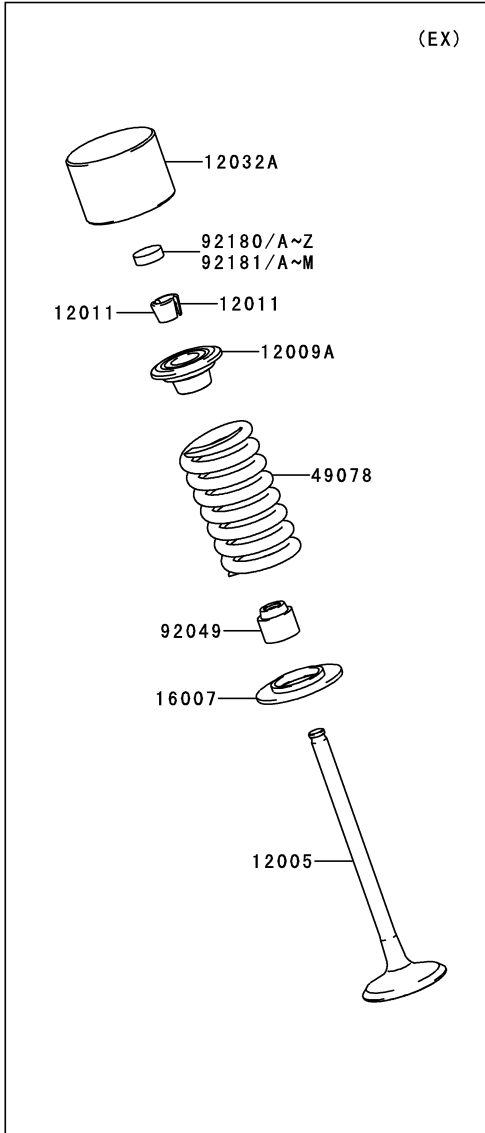
B-8

This grid covers:

Valve(s)(1/2)



E1210



Ref. No.	Part No.	Description	Spec Code	Quantity-KX250			
				'13	'14		
				ZDF	ZEF		
12004	12004-0033	VALVE-INTAKE	2	2			
12005	12005-0002	VALVE-EXHAUST	2	2			
12009	12009-0010	RETAINER-VALVE SPRING	2	2			
12009A	12009-1073	RETAINER-VALVE SPRING	2	2			
12011	12011-1053	COLLET	8	8			
12032	12032-0005	TAPPET,IN	2	2			
12032A	12032-0006	TAPPET,EX	2	2			
16007	16007-0002	SEAT-SPRING	2	2			
16007A	16007-0029	SEAT-SPRING	2	2			
49078	49078-0003	SPRING-ENGINE VALVE	2	2			
49078A	49078-0080	SPRING-ENGINE VALVE	2	2			
92049	92049-1349	SEAL-OIL,VSB 4.3 7.5 5.3 8.3	4	4			
92180	92180-0167	SHIM,T=2.500	4	4			
92180A	92180-0168	SHIM,T=2.525	AR	AR			
92180B	92180-0169	SHIM,T=2.550	AR	AR			
92180C	92180-0170	SHIM,T=2.575	AR	AR			
92180D	92180-0171	SHIM,T=2.600	AR	AR			
92180E	92180-0172	SHIM,T=2.625	AR	AR			
92180F	92180-0173	SHIM,T=2.650	AR	AR			
92180G	92180-0174	SHIM,T=2.675	AR	AR			
92180H	92180-0175	SHIM,T=2.700	AR	AR			
92180I	92180-0176	SHIM,T=2.725	AR	AR			
92180J	92180-0177	SHIM,T=2.750	AR	AR			
92180K	92180-0178	SHIM,T=2.775	AR	AR			
92180L	92180-0179	SHIM,T=2.800	AR	AR			
92180M	92180-0180	SHIM,T=2.825	AR	AR			
92180N	92180-0181	SHIM,T=2.850	AR	AR			
92180O	92180-0182	SHIM,T=2.875	AR	AR			
92180P	92180-0183	SHIM,T=2.900	AR	AR			
92180Q	92180-0184	SHIM,T=2.925	AR	AR			
92180R	92180-0185	SHIM,T=2.950	AR	AR			
92180S	92180-0186	SHIM,T=2.975	AR	AR			
92180T	92180-0187	SHIM,T=3.000	AR	AR			
92180U	92180-0188	SHIM,T=3.025	AR	AR			
92180V	92180-0189	SHIM,T=3.050	AR	AR			
92180W	92180-0190	SHIM,T=3.075	AR	AR			
92180X	92180-0191	SHIM,T=3.100	AR	AR			
92180Y	92180-0192	SHIM,T=3.125	AR	AR			
92180Z	92180-0193	SHIM,T=3.150	AR	AR			

This catalog covers:

'13~'14 KX250 ZDF/ZEF Engine

GRID NO.

B-9

This grid covers:

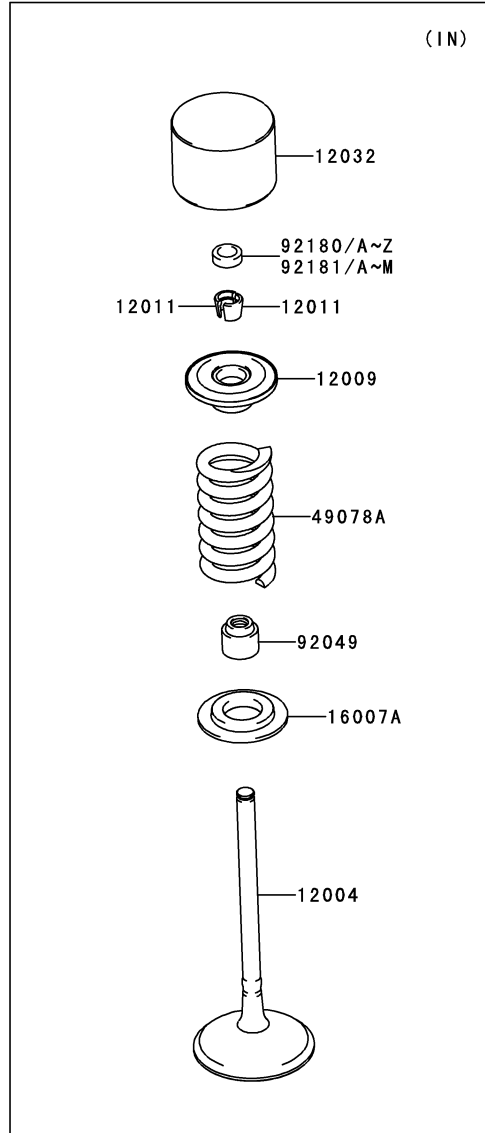
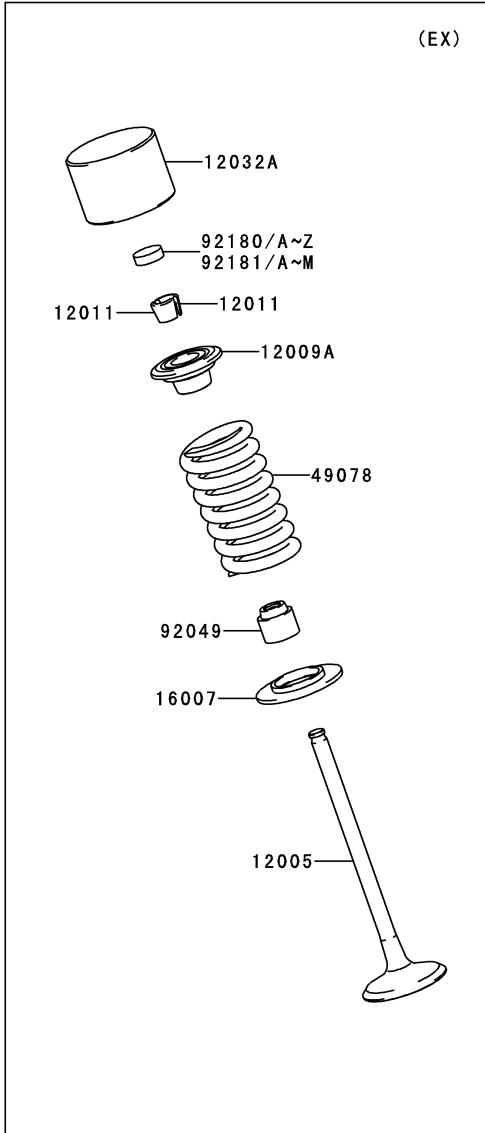
Valve(s)(2/2)



E1210

Ref. No.	Part No.	Description	Spec Code	Quantity-KX250			
				'13	'14		
				ZDF	ZEF		

92181	92180-0194	SHIM,T=3.175	AR	AR		
92181A	92180-0195	SHIM,T=3.200	AR	AR		
92181B	92180-0196	SHIM,T=3.225	AR	AR		
92181C	92180-0197	SHIM,T=3.250	AR	AR		
92181D	92180-0198	SHIM,T=3.275	AR	AR		
92181E	92180-0199	SHIM,T=3.300	AR	AR		
92181F	92180-0200	SHIM,T=3.325	AR	AR		
92181G	92180-0201	SHIM,T=3.350	AR	AR		
92181H	92180-0202	SHIM,T=3.375	AR	AR		
92181I	92180-0203	SHIM,T=3.400	AR	AR		
92181J	92180-0204	SHIM,T=3.425	AR	AR		
92181K	92180-0205	SHIM,T=3.450	AR	AR		
92181L	92180-0206	SHIM,T=3.475	AR	AR		
92181M	92180-0207	SHIM,T=3.500	AR	AR		



This catalog covers:

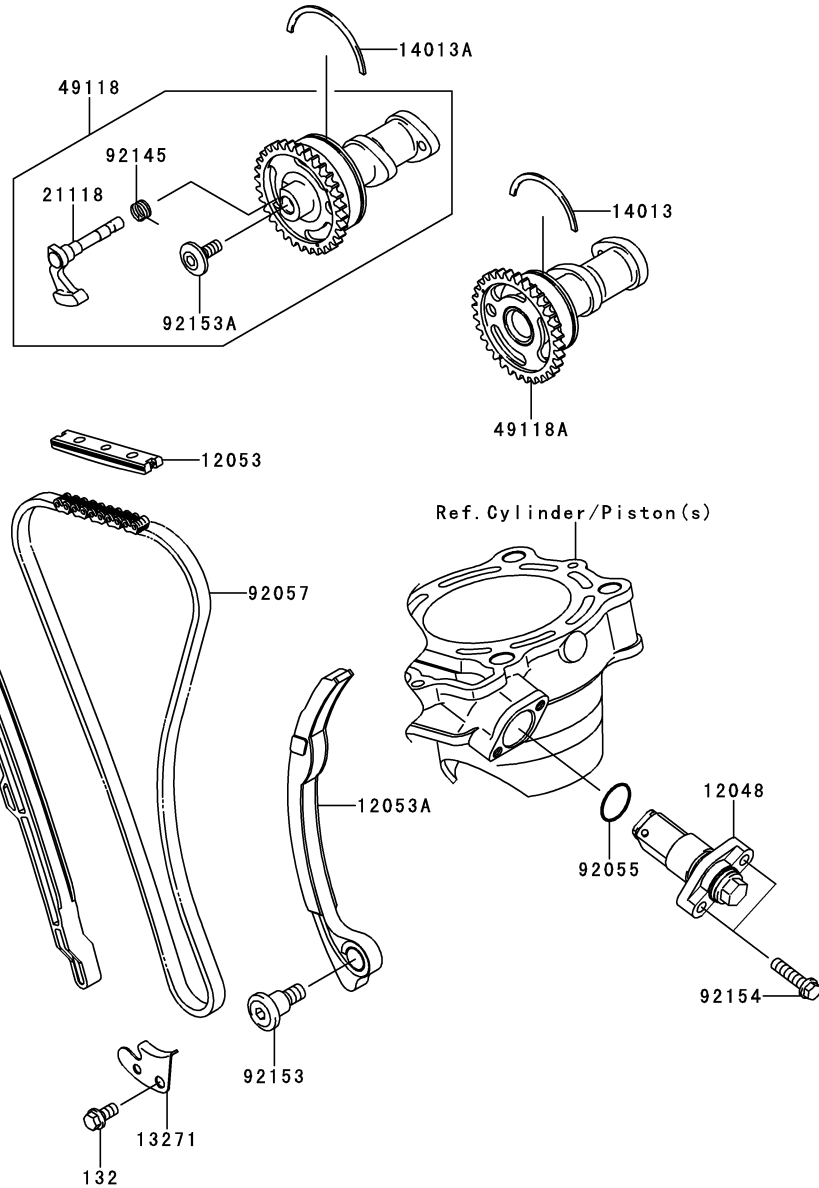
'13~'14 KX250 ZDF/ZEF Engine

GRID NO.

B-10

This grid covers:

Camshaft(s)/Tensioner



E1230

Ref. No.	Part No.	Description	Spec Code	Quantity-KX250			
				'13	'14		
				ZDF	ZEF		
12048	12048-0056	TENSIONER-ASSY	1	1			
12053	12053-0009	GUIDE-CHAIN,UPP	1	1			
12053A	12053-0010	GUIDE-CHAIN,RR	1	1			
12053B	12053-0017	GUIDE-CHAIN,FR	1	1			
13271	13271-0808	PLATE,CAM CHAIN STOPPER	1	1			
14013	14013-0001	RING-POSITION	1	1			
14013A	14013-0002	RING-POSITION	1	1			
21118	21118-0004	DECOMPRESSOR	1	1			
49118	49118-0715	CAMSHAFT-COMP,EXHAUST	1	1			
49118A	49118-0774	CAMSHAFT-COMP,INTAKE	1	1			
92055	92055-086	RING-O,18.8X1.9	1	1			
92057	92057-0030	CHAIN,CAM,92RH2010-114	1	1			
92145	92145-0758	SPRING,DECOMP	1	1			
92153	92153-0572	BOLT,12X24.5	1	1			
92153A	92153-0918	BOLT,SOCKET,6X16	1	1			
92154	92154-0520	BOLT,FLANGED,6X25	2	2			
132	132BA0612	BOLT-FLANGED-SMALL,6X12	1	1			

This catalog covers:

'13~'14 KX250 ZDF/ZEF Engine

GRID NO.

B-11

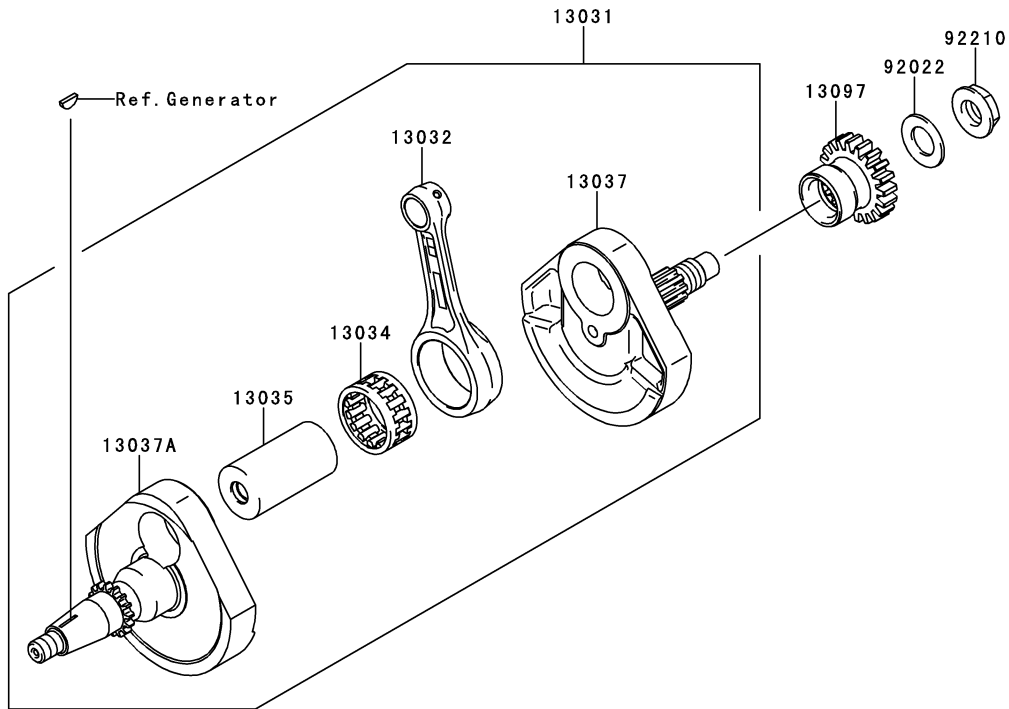
This grid covers:

Crankshaft



E1321

Ref. No.	Part No.	Description	Spec Code	Quantity-KX250			
				'13	'14		
				ZDF	ZEF		
13031	13031-0739	CRANKSHAFT-COMP	1	1			
13032	13032-0721	ROD-CONNECTING	1	1			
13034	13034-0019	BEARING-BIG END,B4	1	1			
13035	13035-0022	PIN-CRANK	1	1			
13037	13037-0155	CRANKSHAFT,RH	1	1			
13037A	13037-0732	CRANKSHAFT,LH	1	1			
13097	13097-0117	GEAR-PRIMARY SPUR,20T	1	1			
92022	92022-1356	WASHER,16.3X29X1.75	1	1			
92210	92210-0350	NUT,LEFT HANDED,16MM	1	1			



This catalog covers:

'13~'14 KX250 ZDF/ZEF Engine

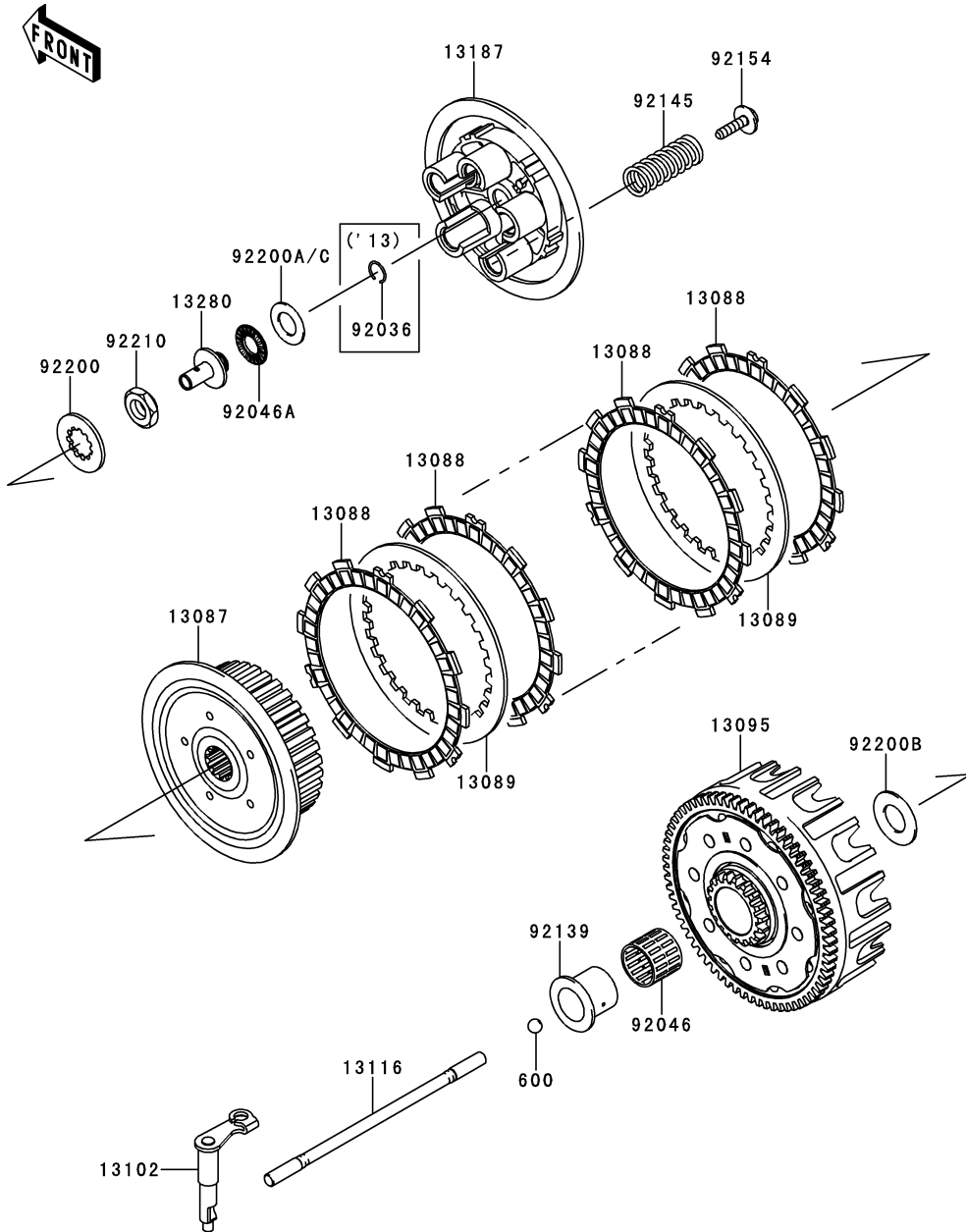
GRID NO.

B-13

This grid covers:

Clutch

E1350



Ref. No.	Part No.	Description	Spec Code	Quantity-KX250			
				'13	'14		
				ZDF	ZEF		
13087	13087-0017	HUB-CLUTCH	1	1			
13088	13088-0018	PLATE-FRICTION	8	8			
13089	13089-0005	PLATE-CLUTCH,T=1.6	7	7			
13095	13095-0121	HOUSING-COMP-CLUTCH	1	1			
13102	13102-0034	RELEASE-COMP-CLUTCH	1	1			
13116	13116-0037	ROD-PUSH	1	1			
13187	13187-1089	PLATE-CLUTCH OPERATING	1	1			
13280	13280-0339	HOLDER	1	1			
92036	92036-007	RING-SNAP,PISTON PIN	1				
92046	92046-0016	BEARING-NEEDLE,WRS273124A	1	1			
92046A	92046-1190	BEARING-NEEDLE,FNTA-1326	1	1			
92139	92139-0014	BUSHING	1	1			
92145	92145-0351	SPRING,K=10.7N/MM	5	5			
92154	92154-0180	BOLT,6X25	5	5			
92200	92200-0027	WASHER,21.6X38X2.5	1	1			
92200A	92200-0045	WASHER,13.4X25X1.0	AR	AR			
92200B	92200-0098	WASHER,22.3X43X2	1	1			
92200C	92200-1548	WASHER,13.4X25.0X1.5	1	1			
92210	92210-1207	NUT,16MM	1	1			
600	600A1000	BALL-STEEL,5/16	1	1			

This catalog covers:

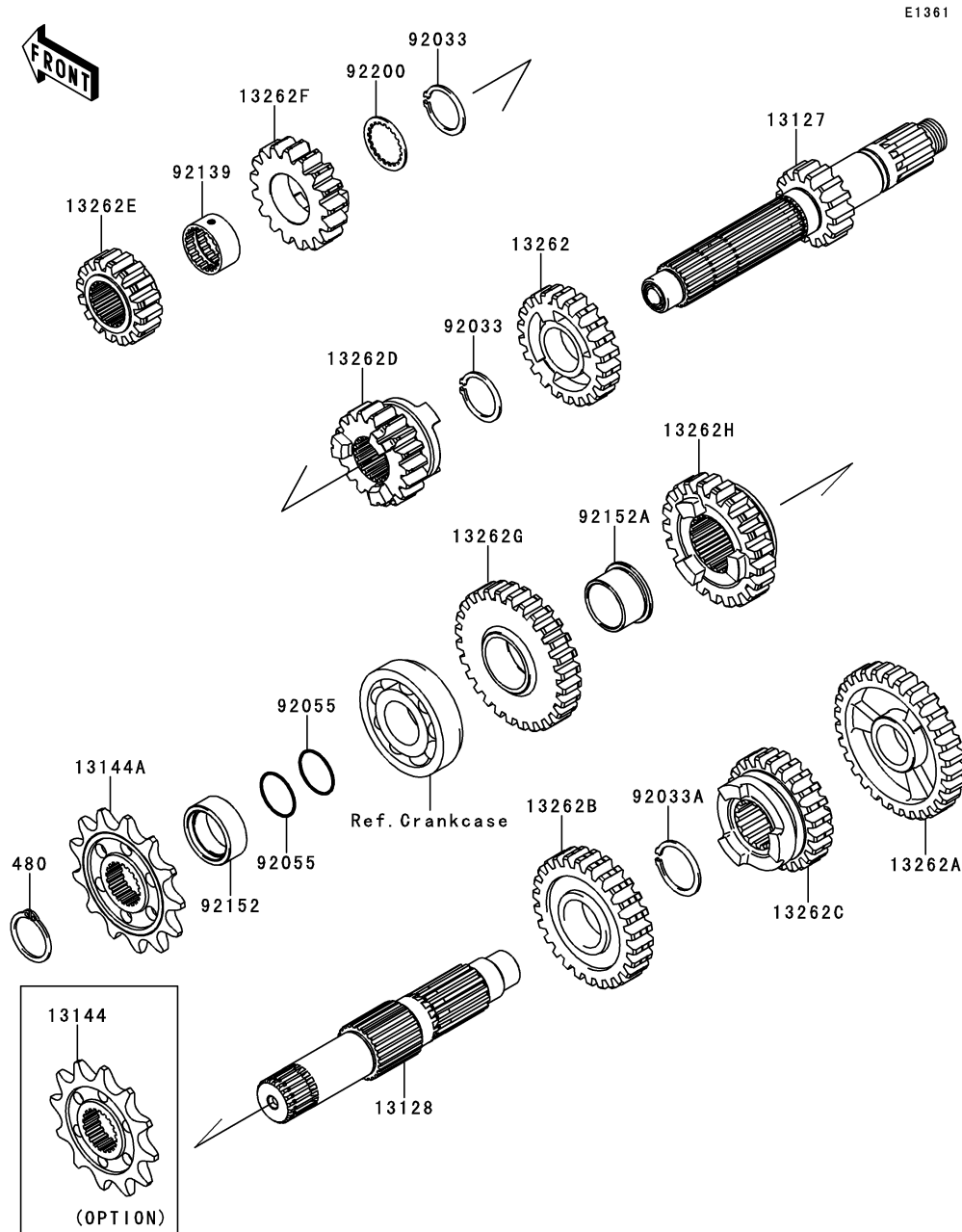
'13~'14 KX250 ZDF/ZEF Engine

GRID NO.

B-14

This grid covers:

Transmission(ZDF)



Ref. No.	Part No.	Description	Spec Code	Quantity-KX250			
				'13 ZDF	'14 ZEF		
13127	13127-0064	SHAFT-TRANSMISSION INPUT,14T					1
13128	13128-0046	SHAFT-TRANSMISSION OUTPUT					1
13144	13144-0036	SPROCKET-OUTPUT,12T					1
	(OPTION)						
13144A	13144-0064	SPROCKET-OUTPUT,13T					1
13262	13262-0671	GEAR,INPUT 5TH,22T					1
13262A	13262-0672	GEAR,OUTPUT LOW,30T					1
13262B	13262-0674	GEAR,OUTPUT 3RD,26T					1
13262C	13262-0676	GEAR,OUTPUT 5TH,23T					1
13262D	13262-0776	GEAR,INPUT 3RD,18T					1
13262E	13262-0839	GEAR,INPUT 2ND,16T					1
13262F	13262-0840	GEAR,INPUT 4TH,17T					1
13262G	13262-0841	GEAR,OUTPUT 2ND,28T					1
13262H	13262-0842	GEAR,OUTPUT 4TH,21T					1
92033	92033-0057	RING-SNAP					2
92033A	92033-1270	RING-SNAP					1
92055	92055-055	RING-O,19.5X1.5					2
92139	92139-0241	BUSHING					1
92152	92152-0683	COLLAR,22X30X11.4					1
92152A	92152-0687	COLLAR					1
92200	92200-0442	WASHER,22X26.6X1					1
480	480J2200	CIRCLIP-TYPE-C,22MM					1

This catalog covers:

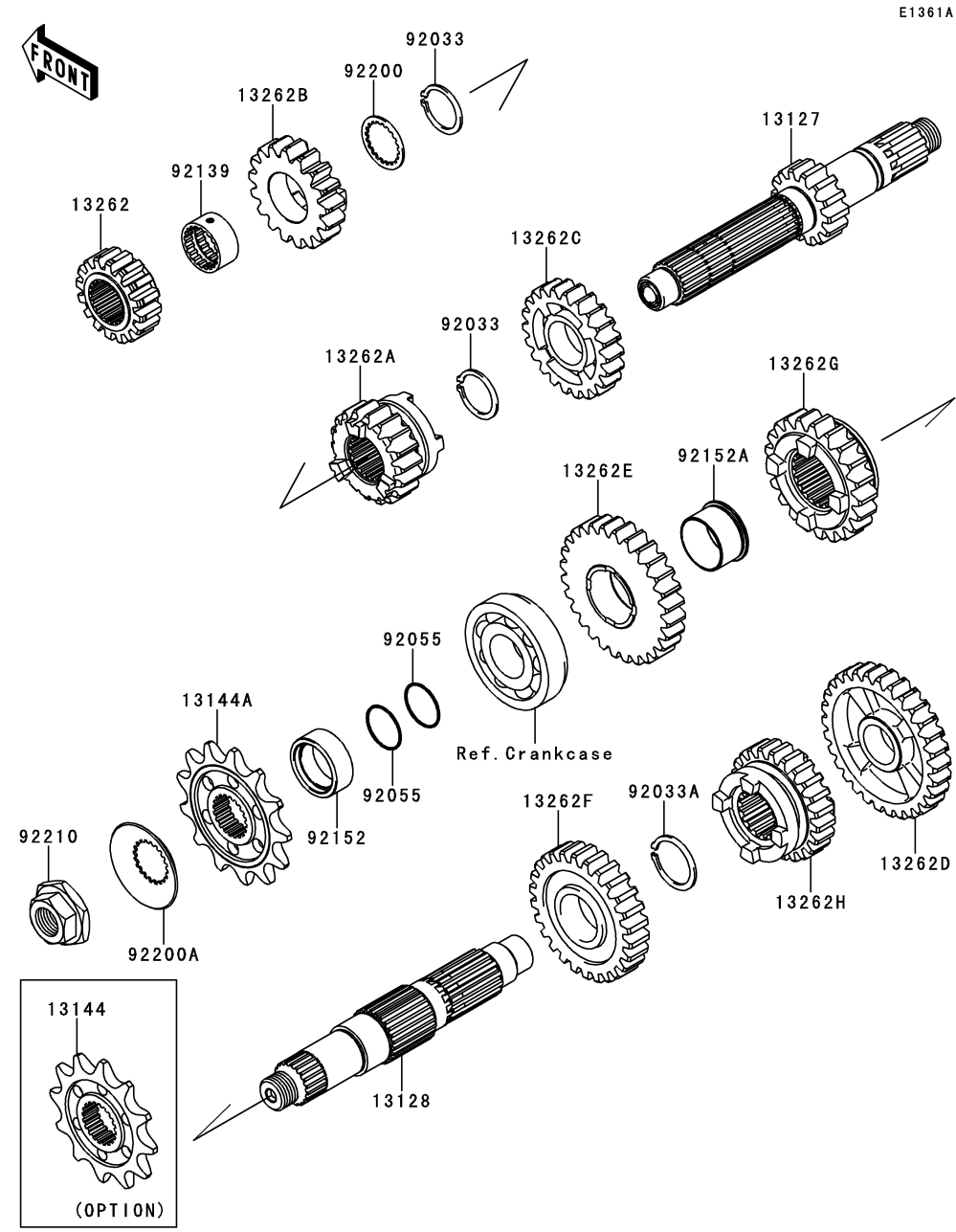
'13~'14 KX250 ZDF/ZEF Engine

GRID NO.

C-3

This grid covers:

Transmission(ZEF)



Ref. No.	Part No.	Description	Spec Code	Quantity-KX250			
				'13	'14		
				ZDF	ZEF		
13127	13127-0064	SHAFT-TRANSMISSION INPUT,14T				1	
13128	13128-0669	SHAFT-TRANSMISSION OUTPUT				1	
13144	13144-0036	SPROCKET-OUTPUT,12T				1	
	(OPTION)						
13144A	13144-0064	SPROCKET-OUTPUT,13T				1	
13262	13262-0839	GEAR,INPUT 2ND,16T				1	
13262A	13262-0930	GEAR,INPUT 3RD,18T				1	
13262B	13262-0931	GEAR,INPUT 4TH,17T				1	
13262C	13262-0932	GEAR,INPUT 5TH,22T				1	
13262D	13262-0933	GEAR,OUTPUT LOW,30T				1	
13262E	13262-0934	GEAR,OUTPUT 2ND,28T				1	
13262F	13262-0935	GEAR,OUTPUT 3RD,26T				1	
13262G	13262-0936	GEAR,OUTPUT 4TH,21T				1	
13262H	13262-0937	GEAR,OUTPUT 5TH,23T				1	
92033	92033-0057	RING-SNAP				2	
92033A	92033-1270	RING-SNAP				1	
92055	92055-055	RING-O,19.5X1.5				2	
92139	92139-0241	BUSHING				1	
92152	92152-0683	COLLAR,22X30X11.4				1	
92152A	92152-1606	COLLAR				1	
92200	92200-0442	WASHER,22X26.6X1				1	
92200A	92200-0723	WASHER,20X46				1	
92210	92210-0721	NUT,16MM				1	

This catalog covers:

'13~'14 KX250 ZDF/ZEF Engine

GRID NO.

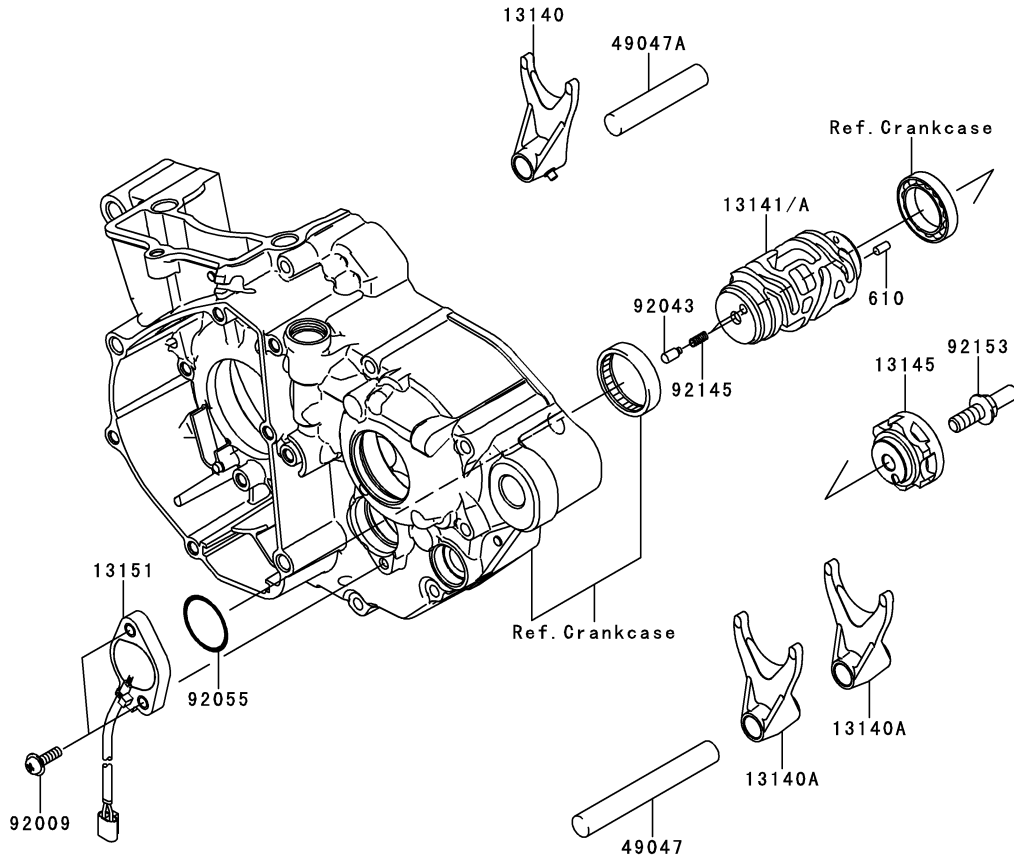
C-4

This grid covers:

Gear Change Drum/Shift Fork(s)



E1362



Ref. No.	Part No.	Description	Spec Code	Quantity-KX250			
				'13	'14	ZDF	ZEF
13140	13140-0056	FORK-SHIFT,IN		1	1		
13140A	13140-0057	FORK-SHIFT,OUT		2	2		
13141	13141-0570	DRUM-CHANGE				1	
13141A	13141-0575	DRUM-CHANGE		1			
13145	13145-0031	CAM-CHANGE DRUM		1	1		
13151	13151-0560	SWITCH-COMP,NEUTRAL		1	1		
49047	49047-0620	ROD-SHIFT,OUTPUT,L=94.5		1	1		
49047A	49047-0621	ROD-SHIFT,INPUT,L=63		1	1		
92009	92009-1571	SCREW,5X16		2	2		
92043	92043-1654	PIN		2	2		
92055	92055-091	RING-O,27.7X2.4		1	1		
92145	92145-1414	SPRING		2	2		
92153	92153-1735	BOLT		1	1		
610	610A0408	ROLLER,4X8		1	1		

This catalog covers:

'13~'14 KX250 ZDF/ZEF Engine

GRID NO.

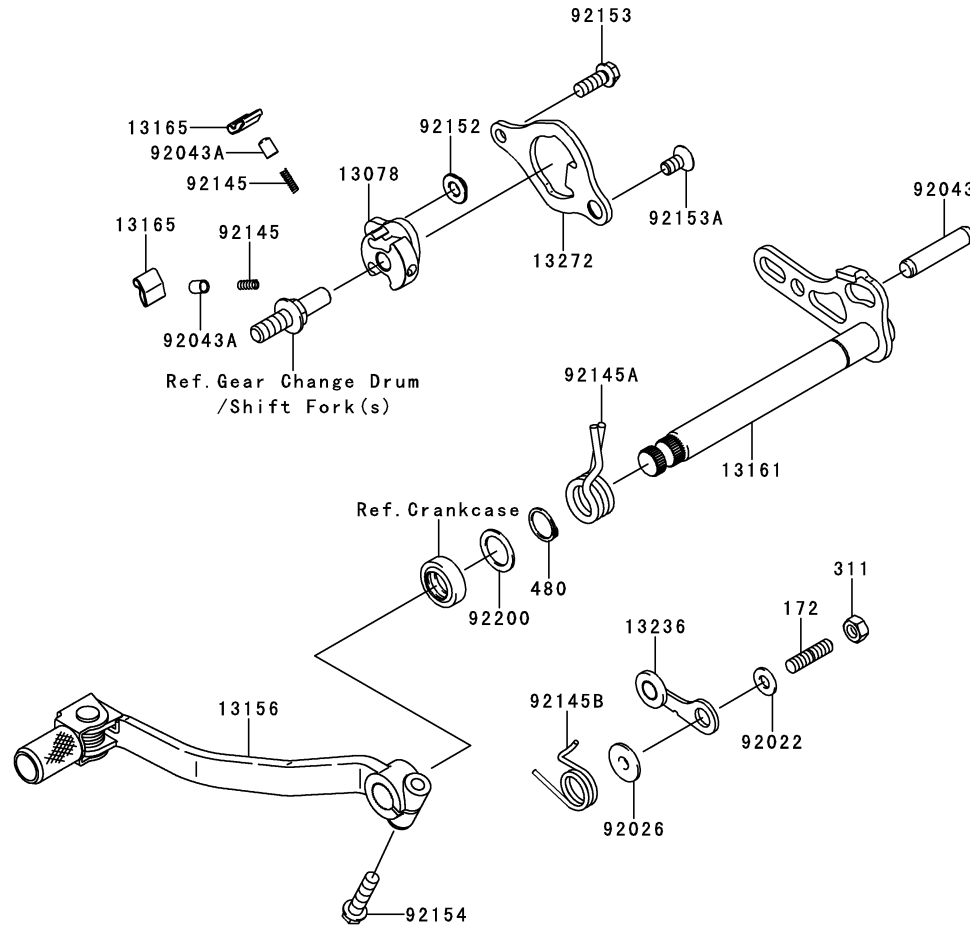
C-5

This grid covers:

Gear Change Mechanism



E1370



Ref. No.	Part No.	Description	Spec Code	Quantity-KX250			
				'13	'14		
				ZDF	ZEF		
13078	13078-0029	RATCHET	1	1			
13156	13156-0124	LEVER-CHANGE,PEDAL	1	1			
13161	13161-0077	LEVER-COMP-CHANGE SHAFT	1	1			
13165	13165-0018	PAWL	2	2			
13236	13236-0161	LEVER-COMP,POSITION	1	1			
13272	13272-0438	PLATE	1	1			
92022	92022-1827	WASHER,6X12.8X1.2	1	1			
92026	92026-1217	SPACER	1	1			
92043	92043-0017	PIN,8X39	1	1			
92043A	92043-1676	PIN,PLUNGER	2	2			
92145	92145-0453	SPRING	2	2			
92145A	92145-0608	SPRING,RETURN	1	1			
92145B	92145-0843	SPRING,POSITION	1	1			
92152	92152-1414	COLLAR	1	1			
92153	92153-0825	BOLT,6X16	1	1			
92153A	92153-1669	BOLT,TORX,6X8.7	1	1			
92154	92154-0520	BOLT,FLANGED,6X25	1	1			
92200	92200-0029	WASHER,14.2X20X1	1	1			
172	172BA0612	BOLT-STUD,6X12	1	1			
311	311BA0600	NUT-HEX	1	1			
480	480J1400	CIRCLIP-TYPE-C,14MM	1	1			

This catalog covers:

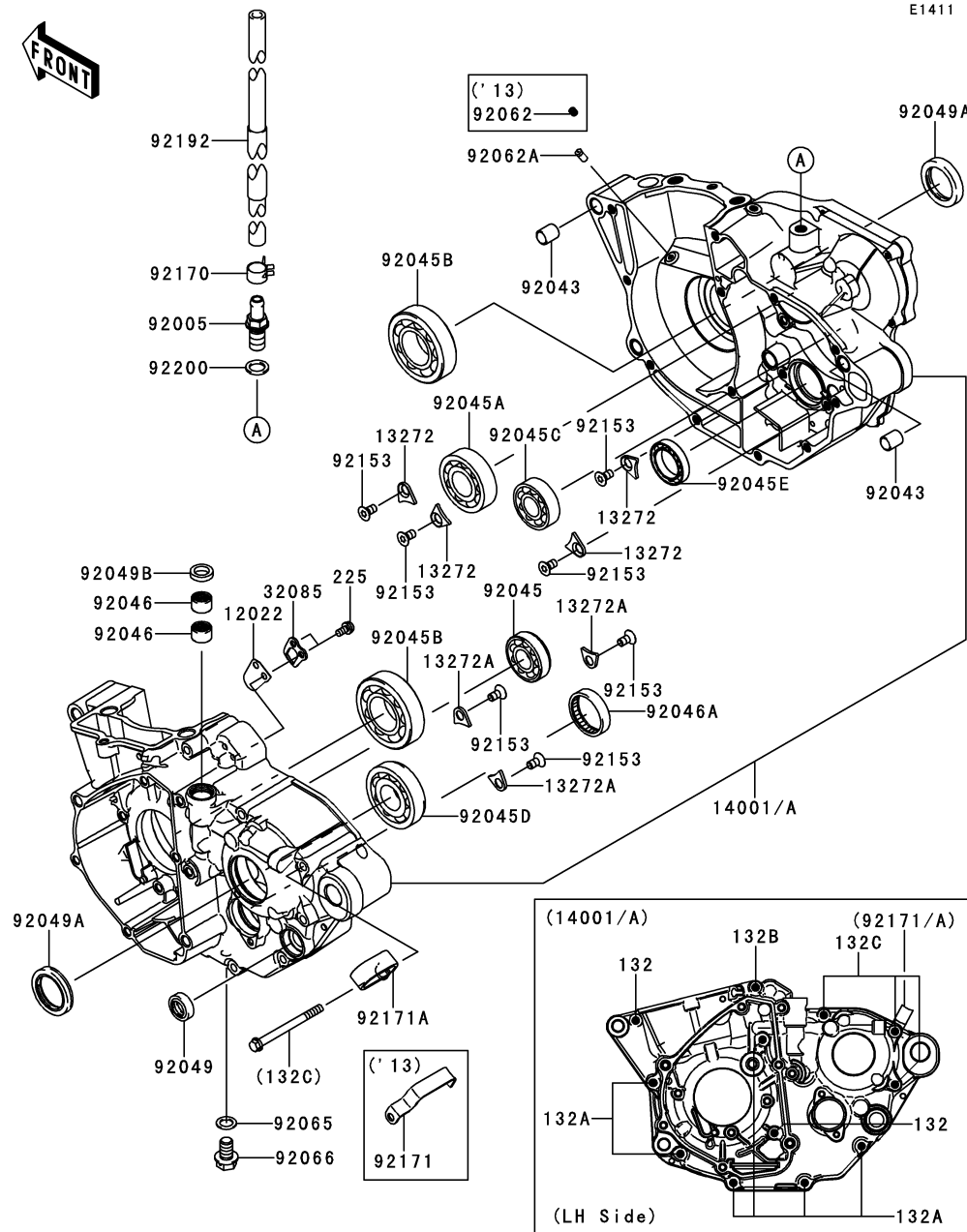
'13~'14 KX250 ZDF/ZEF Engine

GRID NO.

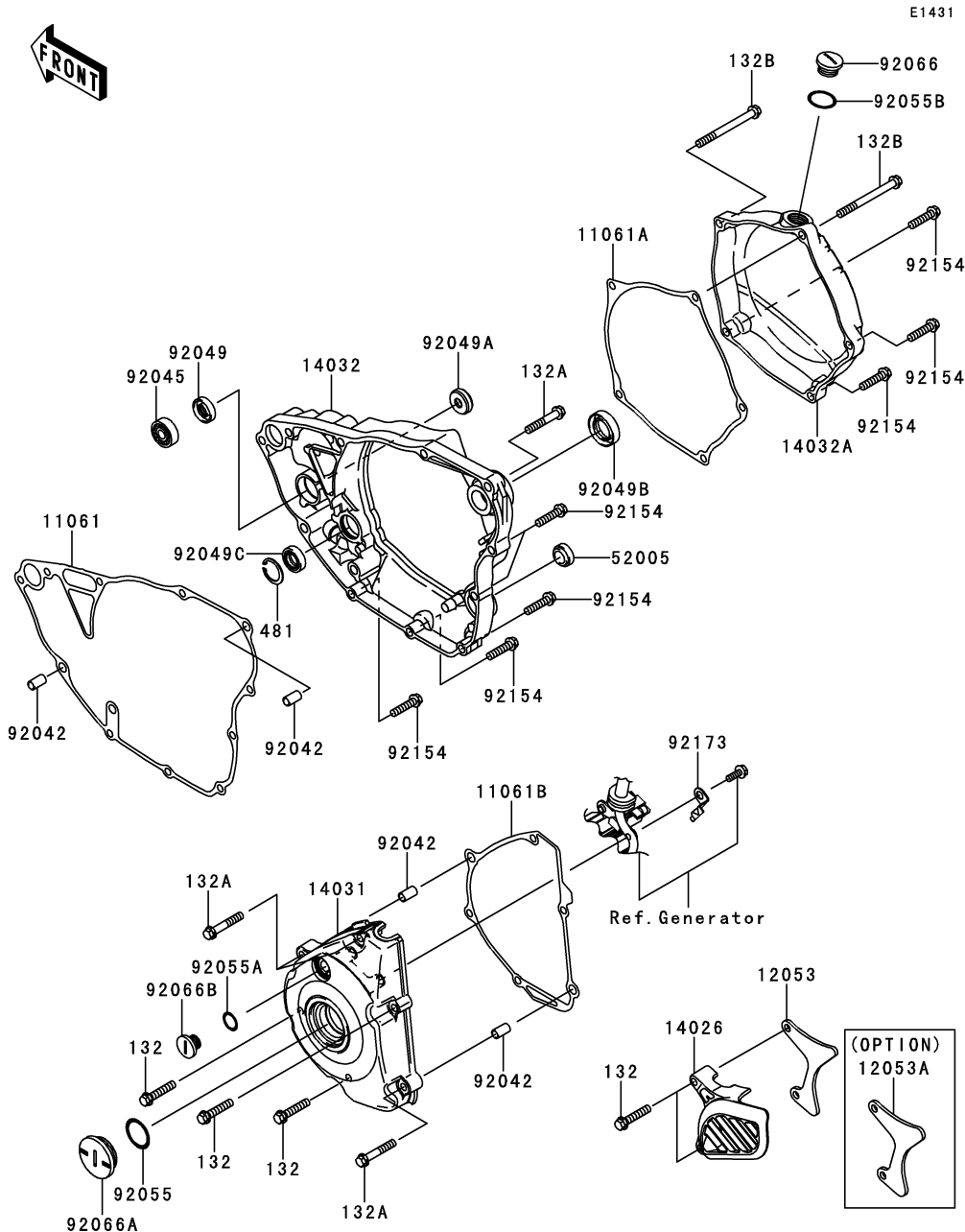
C-6

This grid covers:

Crankcase



Ref. No.	Part No.	Description	Spec Code	Quantity-KX250			
				'13	'14		
				ZDF	ZEF		
12022	12022-0006	VALVE-REED	1	1			
13272	13272-0488	PLATE	4	4			
13272A	13272-0670	PLATE	3	3			
14001	14001-0155	SET-CRANKCASE	1				
14001A	14001-0605	SET-CRANKCASE		1			
32085	32085-0011	STOPPER,VALVE-REED	1	1			
92005	92005-0747	FITTING,BREATHER	1	1			
92043	92043-4009	PIN,10.1X12X14	2	2			
92045	92045-0013	BEARING-BALL,3TM-SX0391ZC3	1	1			
92045A	92045-0051	BEARING-BALL,22X50X14	1	1			
92045B	92045-0052	BEARING-BALL,CRANKSHAFT MAIN	2	2			
92045C	92045-1287	BEARING-BALL,TMB203LU	1	1			
92045D	92045-1335	BEARING-BALL,SX04A81C3	1	1			
92045E	92045-1432	BEARING-BALL,6805JRZ	1	1			
92046	92046-0034	BEARING-NEEDLE,HK1210FM	2	2			
92046A	92046-1221	BEARING-NEEDLE,7E-HKS33X38X8	1	1			
92049	92049-0015	SEAL-OIL,SD2 14 22 6-1 NS	1	1			
92049A	92049-0030	SEAL-OIL,TC 30 40 7	2	2			
92049B	92049-1262	SEAL-OIL,AG0353-F0	1	1			
92062	92062-0004	NOZZLE	1				
92062A	92062-0023	NOZZLE		1			
92065	92065-058	GASKET,10.5X16X1	1	1			
92066	92066-1437	PLUG,DRAIN	1	1			
92153	92153-1669	BOLT,TORX,6X8.7	7	7			
92170	92170-1938	CLAMP	1	1			
92171	92171-0579	CLAMP	1				
92171A	92171-0594	CLAMP		1			
92192	92192-1184	TUBE,BREATHER	1	1			
92200	92200-0087	WASHER,12.5X18X1.6	1	1			
132	132BA0650	BOLT-FLANGED-SMALL,6X50	2	2			
132A	132BA0660	BOLT-FLANGED-SMALL,6X60	6	6			
132B	132BA0665	BOLT-FLANGED-SMALL,6X65	1	1			
132C	132BA0670	BOLT-FLANGED-SMALL,6X70	3	3			
225	225AA0510	SCREW-PAN-WSP-CROS,5X10	2	2			



Ref. No.	Part No.	Description	Spec Code	Quantity-KX250			
				'13	'14	ZDF	ZEF
11061	11061-0361	GASKET,INNER		1	1		
11061A	11061-0362	GASKET,OUTER		1	1		
11061B	11061-0778	GASKET,GENERATOR		1	1		
12053	12053-0129	GUIDE-CHAIN,13T		1	1		
12053A	12053-0130	GUIDE-CHAIN,12T		1	1		
	(OPTION)						
14026	14026-0090	COVER-CHAIN		1	1		
14031	14031-0569	COVER-GENERATOR		1	1		
14032	14032-0136	COVER-CLUTCH,INNER		1	1		
14032A	14032-0567	COVER-CLUTCH,OUTER		1	1		
52005	52005-1009	GAUGE,OIL LEVEL		1	1		
92042	92042-007	PIN,DOWEL,6.3X8X14		4	4		
92045	92045-1123	BEARING-BALL,#628		1	1		
92049	92049-0060	SEAL-OIL,SD 8 22 5 ZS		1	1		
92049A	92049-0061	SEAL-OIL		1	1		
92049B	92049-013	SEAL-OIL,SB18307		1	1		
92049C	92049-1519	SEAL-OIL,TC13225.5		1	1		
92055	92055-091	RING-O,27.7X2.4		1	1		
92055A	92055-1011	RING-O,13.0X1.9		1	1		
92055B	92055-1146	RING-O,20X2		1	1		
92066	92066-0757	PLUG,18X9		1	1		
92066A	92066-0758	PLUG,30X8		1	1		
92066B	92066-0733	PLUG,12X9.1		1	1		
92154	92154-0520	BOLT,FLANGED,6X25		8	8		
92173	92173-0058	CLAMP,HARNESS		1	1		
132	132BA0630	BOLT-FLANGED-SMALL,6X30		5	5		
132A	132BA0635	BOLT-FLANGED-SMALL,6X35		4	4		
132B	132BA0665	BOLT-FLANGED-SMALL,6X65		2	2		
481	481J2200	CIRCLIP		1	1		

This catalog covers:

'13~'14 KX250 ZDF/ZEF Engine

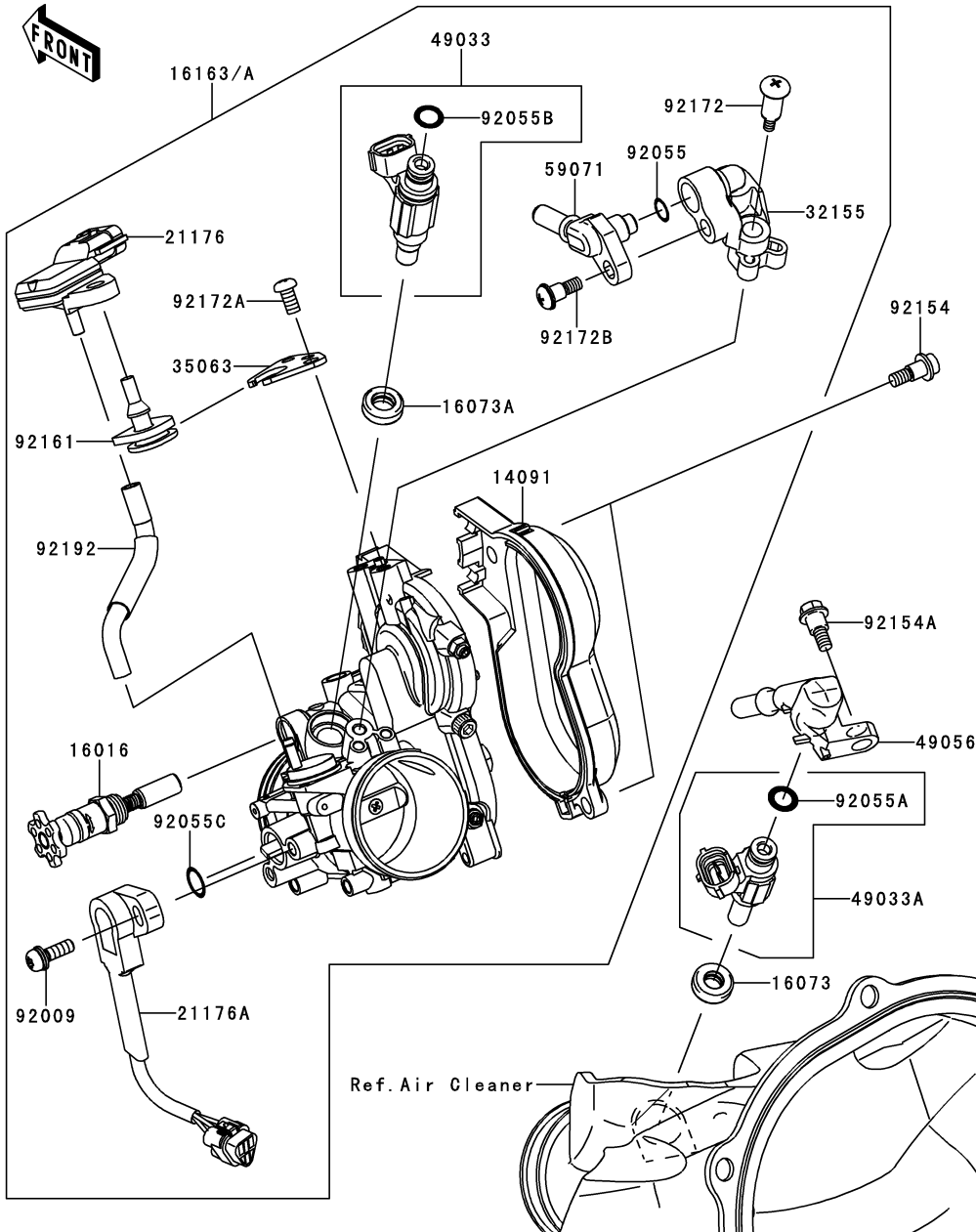
GRID NO.

C-8

This grid covers:

Throttle

E1510



Ref. No.	Part No.	Description	Spec Code	Quantity-KX250			
				'13	'14		
				ZDF	ZEF		
14091	14091-1815	COVER,THROTTLE DUST	1	1			
16016	16016-0025	PLUNGER	1	1			
16073	16073-0129	INSULATOR	1	1			
16073A	16073-3707	INSULATOR	1	1			
16163	16163-0767	THROTTLE-ASSY	1				
16163A	16163-0797	THROTTLE-ASSY				1	
21176	21176-0058	SENSOR,PRESSURE	1	1			
21176A	21176-0129	SENSOR,THROTTLE POSITION	1	1			
32155	32155-0112	PIPE,FUEL	1	1			
35063	35063-0647	STAY	1	1			
49033	49033-0026	NOZZLE-INJECTION	1	1			
49033A	49033-0560	NOZZLE-INJECTION	1	1			
49056	49056-0036	PIPE-INJECTION	1	1			
59071	59071-0049	JOINT	1	1			
92009	92009-1981	SCREW,THROTTLE SENSOR	1	1			
92055	92055-0064	RING-O	1	1			
92055A	92055-0124	RING-O,INJECTION NOZZLE	1	1			
92055B	92055-1622	RING-O,INJECTION NOZZLE	1	1			
92055C	92055-1671	RING-O	1	1			
92154	92154-0243	BOLT	2	2			
92154A	92154-1021	BOLT,FLANGED,5X8	1	1			
92161	92161-0041	DAMPER	1	1			
92172	92172-0064	SCREW,PIPE INJECTION	1	1			
92172A	92172-0438	SCREW	2	2			
92172B	92172-0776	SCREW	1	1			
92192	92192-0823	TUBE	1	1			

This catalog covers:

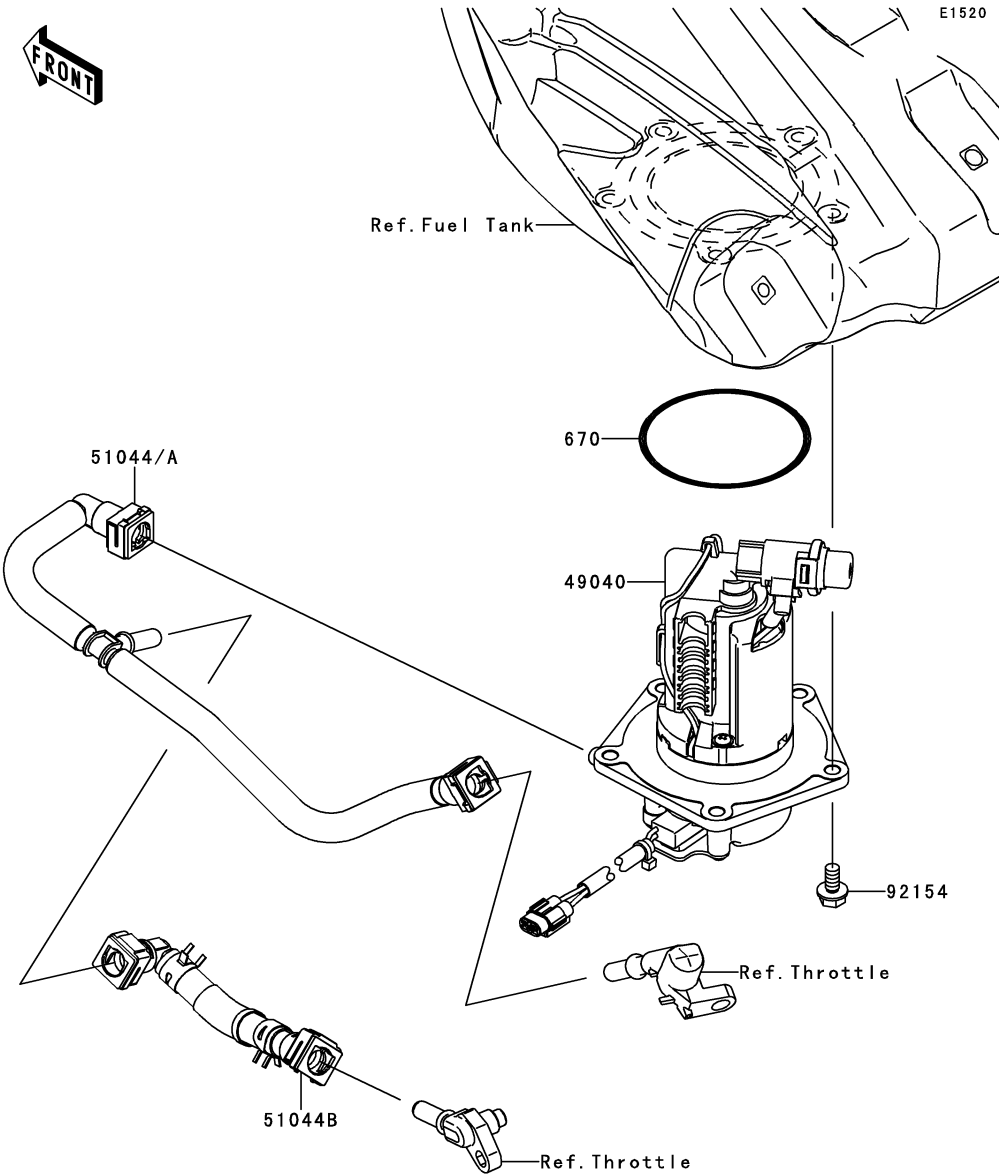
'13~'14 KX250 ZDF/ZEF Engine

GRID NO.

C-9

This grid covers:

Fuel Pump



Ref. No.	Part No.	Description	Spec Code	Quantity-KX250			
				'13	'14	ZDF	ZEF
49040	49040-0707	PUMP-FUEL		1	1		
51044	51044-0725	TUBE-ASSY,FUEL			1		
51044A	51044-0736	TUBE-ASSY,FUEL		1			
51044B	51044-0739	TUBE-ASSY,FUEL		1	1		
92154	92154-0899	BOLT,FLANGED,6X16		5	5		
670	670E5070	O RING		1	1		

This catalog covers:

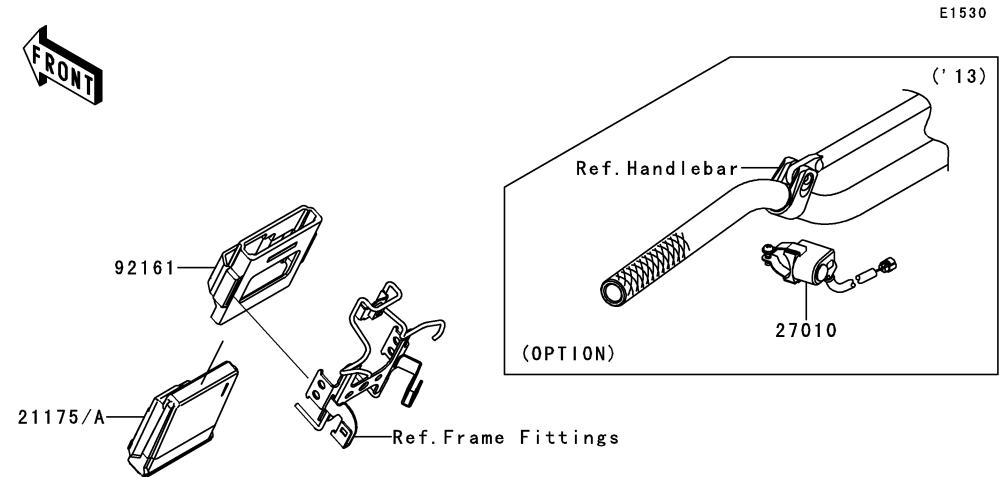
'13~'14 KX250 ZDF/ZEF Engine

GRID NO.

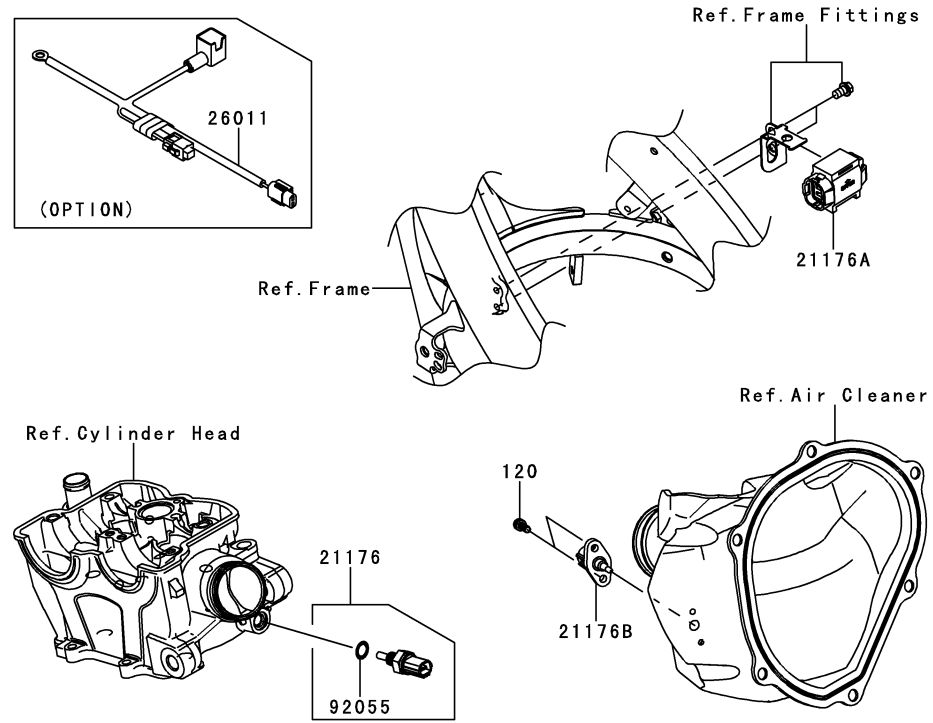
C-10

This grid covers:

Fuel Injection



Ref. No.	Part No.	Description	Spec Code	Quantity-KX250			
				'13	'14	ZDF	ZEF
21175	21175-0792	CONTROL UNIT-ELECTRONIC		1			
21175A	21175-0847	CONTROL UNIT-ELECTRONIC			1		
21176	21176-0009	SENSOR,WATER TEMP		1	1		
21176A	21176-0066	SENSOR,VEHICLE-DOWN		1	1		
21176B	21176-0121	SENSOR,AIR TEMP		1	1		
26011	26011-0246 (OPTION)	WIRE-LEAD,BAT. CONNECTION		1	1		
27010	27010-0725 (OPTION)	LAMP-ASSY,FI WARNING			1		
92055	92055-0016	RING-O,9.5X1.9		1	1		
92161	92161-0976	DAMPER,ECU		1	1		
120	120CB0514	BOLT-SOCKET,5X14		2	2		



This catalog covers:

'13~'14 KX250 ZDF/ZEF Engine

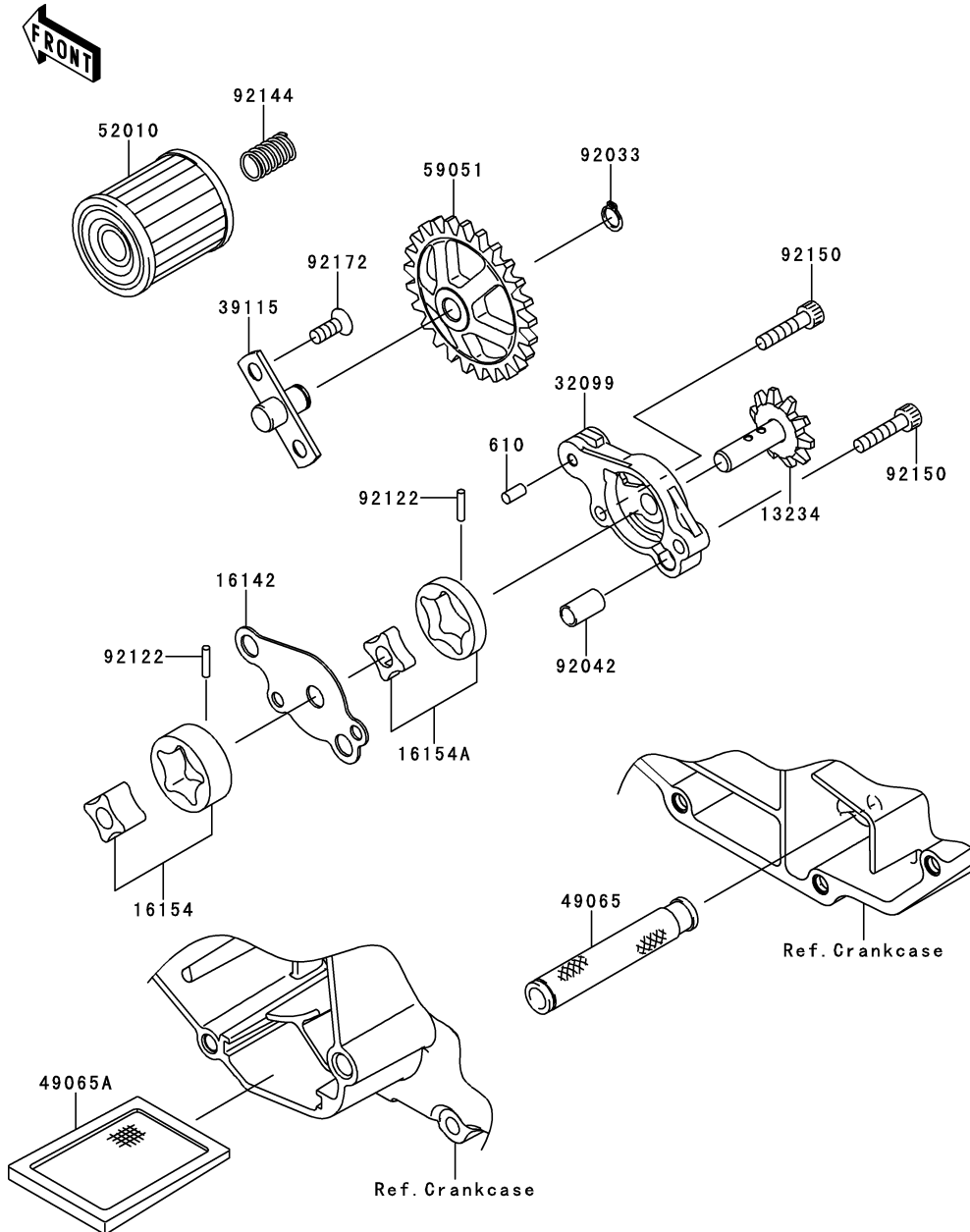
GRID NO.

C-11

This grid covers:

Oil Pump

E1710



Ref. No.	Part No.	Description	Spec Code	Quantity-KX250			
				'13	'14		
				ZDF	ZEF		
13234	13234-0045	SHAFT-COMP,OIL PUMP	1	1			
16142	16142-0003	COVER-PUMP	1	1			
16154	16154-0090	ROTOR-PUMP,SCAVENGE	1	1			
16154A	16154-0093	ROTOR-PUMP,FEED	1	1			
32099	32099-0051	CASE,OIL PUMP	1	1			
39115	39115-0007	SHAFT-IDLER,OIL PUMP	1	1			
49065	49065-0017	FILTER-OIL	1	1			
49065A	49065-0023	FILTER-OIL	1	1			
52010	52010-0001	ELEMENT-OIL FILTER	1	1			
59051	59051-0009	GEAR-SPUR,PUMP IDLER	1	1			
92033	92033-1039	RING-SNAP,8MM	1	1			
92042	92042-007	PIN,DOWEL,6.3X8X14	1	1			
92122	92122-0021	ROLLER,2.5X11.8	2	2			
92144	92144-1761	SPRING	1	1			
92150	92150-1491	BOLT,SOCKET,5X22	2	2			
92172	92172-0087	SCREW,6X14	2	2			
610	610A0408	ROLLER,4X8	1	1			

This catalog covers:

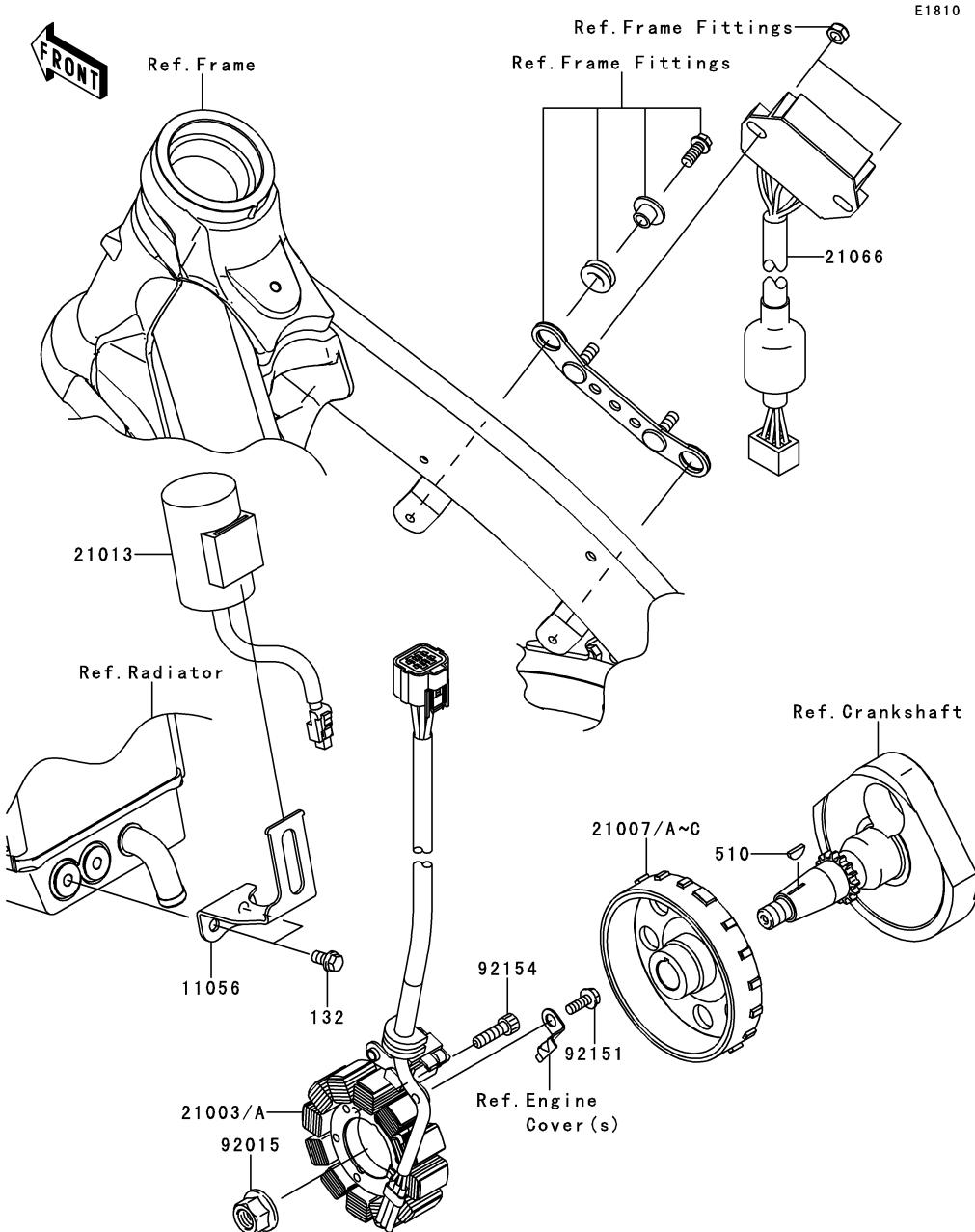
'13~'14 KX250 ZDF/ZEF Engine

GRID NO.

C-12

This grid covers:

Generator



E1810

Ref. No.	Part No.	Description	Spec Code	Quantity-KX250			
				'13	'14		
				ZDF	ZEF		
11056	11056-1513	BRACKET,CONDENSER	1	1			
21003	21003-0102	STATOR	1				
21003A	21003-0147	STATOR		1			
21007	21007-0155	ROTOR,I=9.0	1				
21007A	21007-0164	ROTOR,I=8.5	1	1			
	(OPTION)						
21007B	21007-0165	ROTOR,I=9.5	1	1			
	(OPTION)						
21007C	21007-0593	ROTOR,I=9.0		1			
21013	21013-0001	CONDENSER	1	1			
21066	21066-0721	REGULATOR-VOLTAGE	1	1			
92015	92015-1426	NUT,12MM	1	1			
92151	92151-1764	BOLT,5X14	2	2			
92154	92154-0031	BOLT,SOCKET,6X22	3	3			
132	132BA0610	BOLT-FLANGED-SMALL,6X10	2	2			
510	510A3200	KEY-WOODRUFF	1	1			

This catalog covers:

'13~'14 KX250 ZDF/ZEF Engine

GRID NO.

C-13

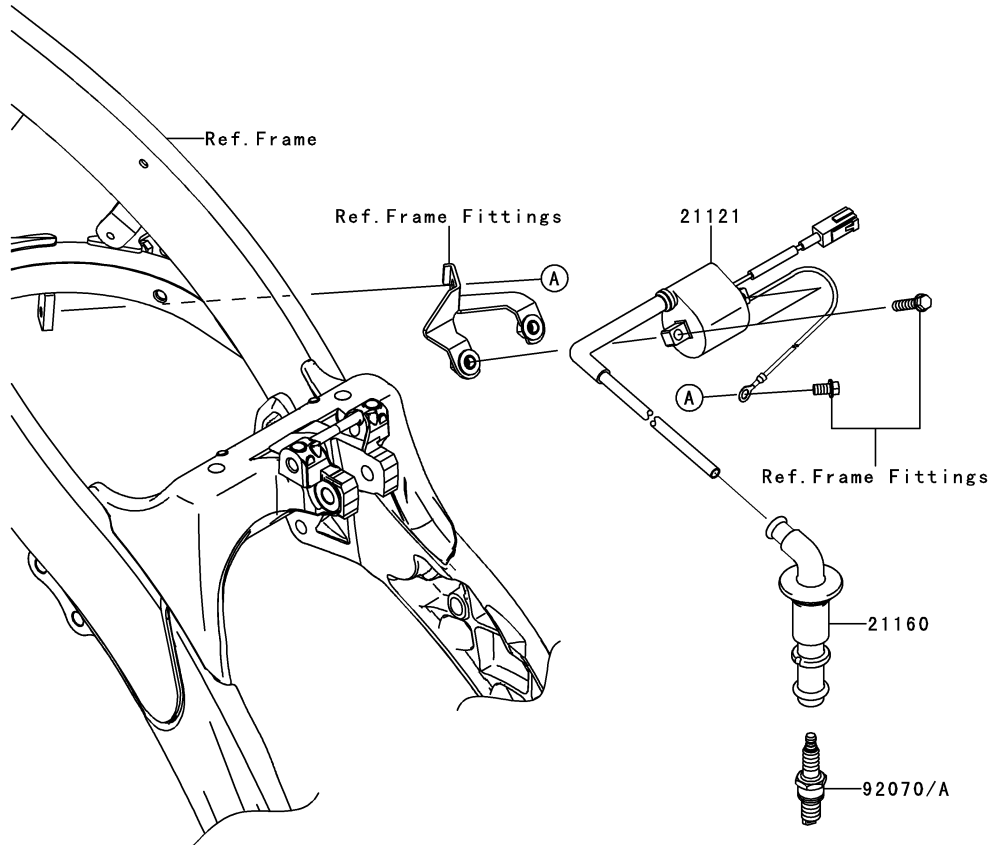
This grid covers:

Ignition System



E1830

Ref. No.	Part No.	Description	Spec Code	Quantity-KX250			
				'13	'14		
				ZDF	ZEF		
21121	21121-0706	COIL-IGNITION	1	1			
21160	21160-0553	CAP-ASSY-PLUG	1	1			
92070	92070-0020	PLUG-SPARK, CPR8EB-9(NGK)	1	1			
92070A	92070-0021 (OPTION)	PLUG-SPARK, CPR9EB-9(NGK)	1	1			



This catalog covers:

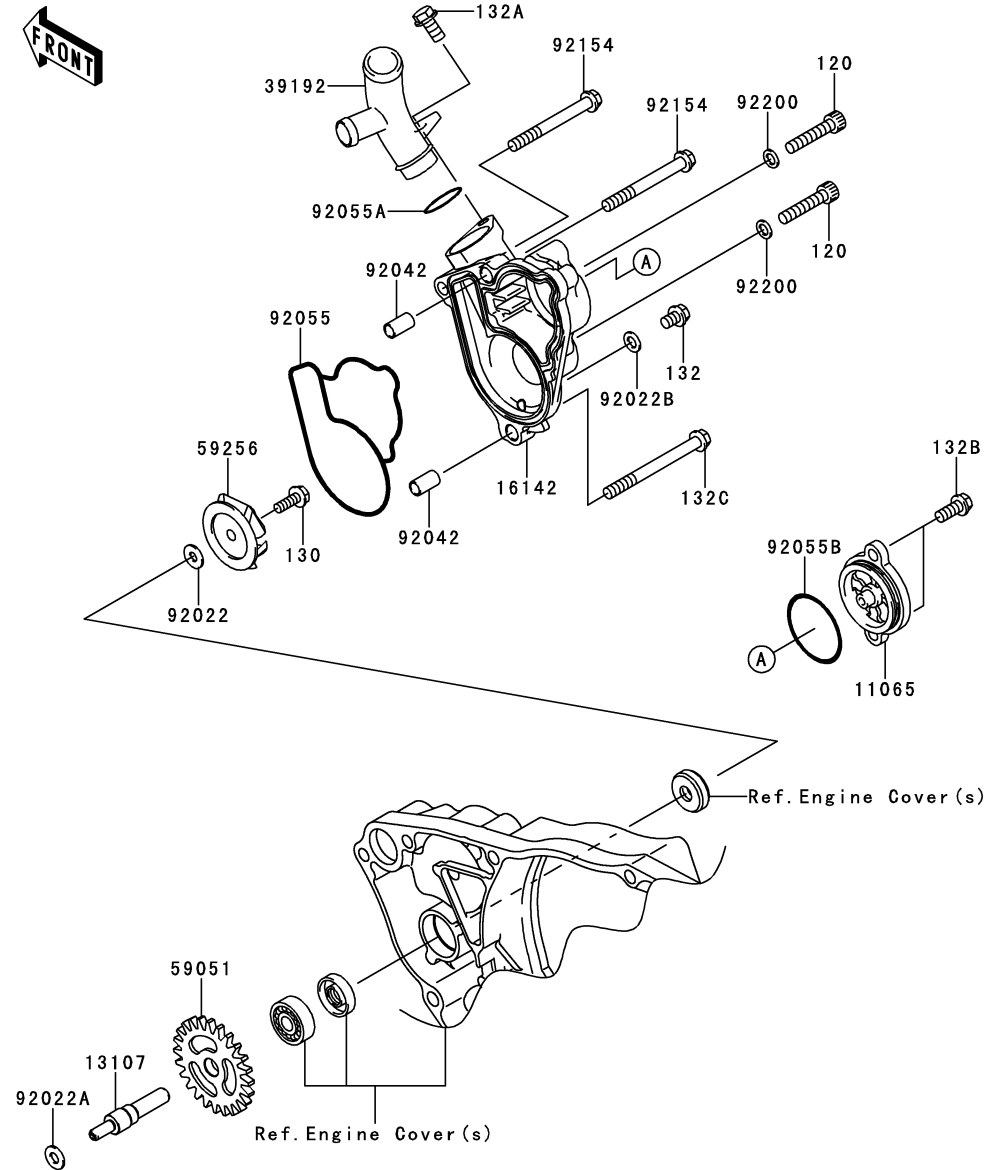
'13~'14 KX250 ZDF/ZEF Engine

GRID NO.

C-14

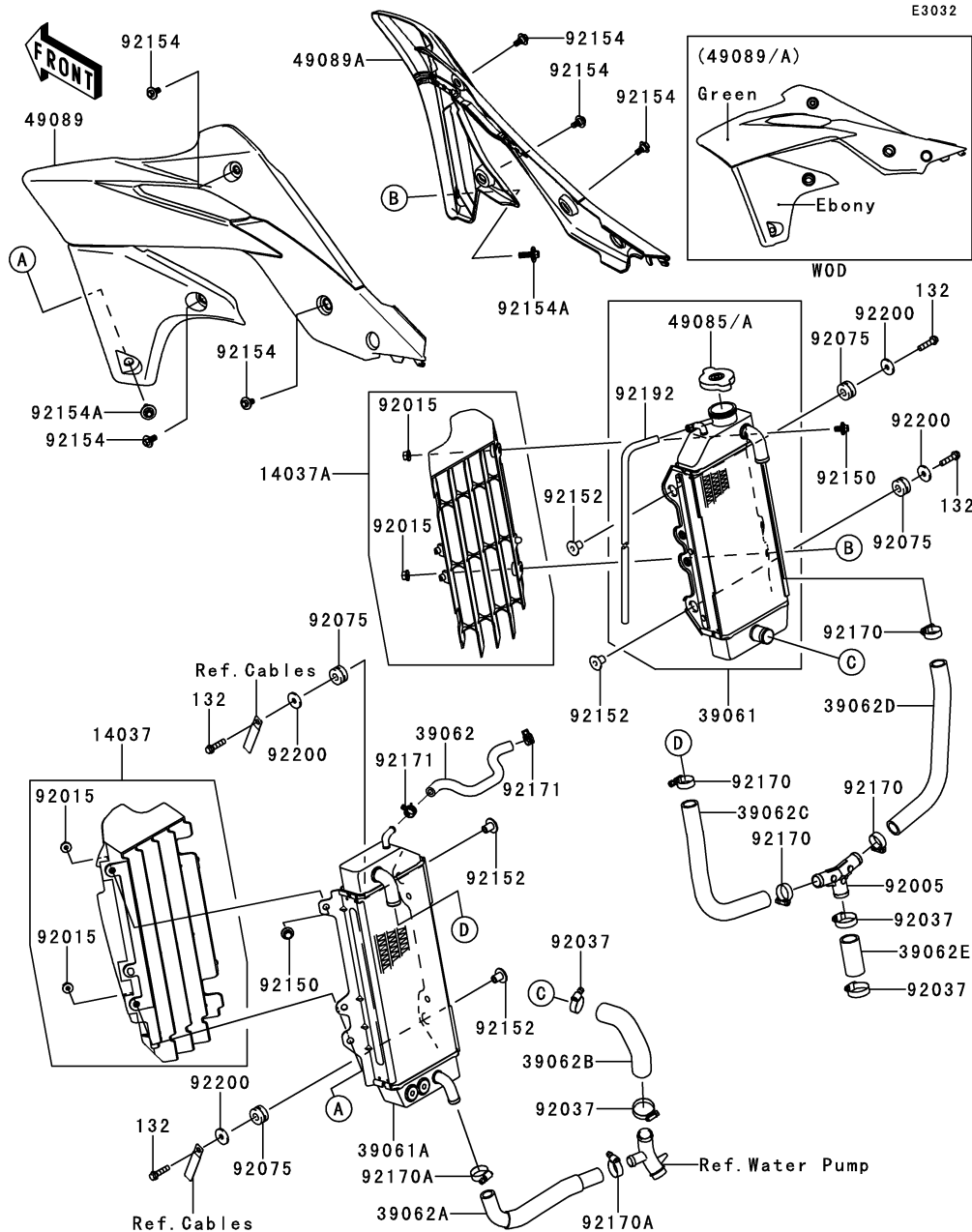
This grid covers:

Water Pump



E3031

Ref. No.	Part No.	Description	Spec Code	Quantity-KX250			
				'13	'14		
				ZDF	ZEF		
11065	11065-0087	CAP	1	1			
13107	13107-0196	SHAFT,WATER PUMP	1	1			
16142	16142-0020	COVER-PUMP,WATER	1	1			
39192	39192-0037	PIPE-WATER	1	1			
59051	59051-0061	GEAR-SPUR,WATER PUMP	1	1			
59256	59256-1065	IMPELLER	1	1			
92022	92022-1380	WASHER,5.2X13X1	1	1			
92022A	92022-1827	WASHER,6X12.8X1.2	1	1			
92022B	92022-304	WASHER,6.2X11X1	1	1			
92042	92042-007	PIN,DOWEL,6.3X8X14	2	2			
92055	92055-0010	RING-O,WATER PUMP	1	1			
92055A	92055-1308	RING-O,18.8X2.4	1	1			
92055B	92055-520	RING-O,35.2X1.9	1	1			
92154	92154-0532	BOLT,FLANGED,6X55	2	2			
92200	92200-0190	WASHER,6.1X10.0X1.0	2	2			
120	120CA0630	BOLT-SOCKET,6X30	2	2			
130	130CD0514	BOLT-FLANGED,5X14	1	1			
132	132BA0608	BOLT-FLANGED-SMALL,6X8	1	1			
132A	132BA0612	BOLT-FLANGED-SMALL,6X12	1	1			
132B	132BA0614	BOLT-FLANGED-SMALL,6X14	2	2			
132C	132BA0665	BOLT-FLANGED-SMALL,6X65	1	1			



Ref. No.	Part No.	Description	Spec Code	Quantity-KX250			
				'13	'14		
				ZDF	ZEF		
14037	14037-0744-6C	SCREEN,LH,EBONY	1	1			
14037A	14037-0745-6C	SCREEN,RH,EBONY	1	1			
39061	39061-0168	RADIATOR-ASSY,RH	1	1			
39061A	39061-0190	RADIATOR-ASSY,LH	1	1			
39062	39062-0258	HOSE-COOLING,RAD.LH-RAD.RH	1	1			
39062A	39062-0292	HOSE-COOLING,RAD.LH-W/P	1	1			
39062B	39062-0293	HOSE-COOLING,RAD.RH-W/P	1	1			
39062C	39062-0294	HOSE-COOLING,RAD.LH-FIT.	1	1			
39062D	39062-0295	HOSE-COOLING,RAD.RH-FIT.	1	1			
39062E	39062-1348	HOSE-COOLING	1	1			
49085	49085-1070	CAP-ASSY-PRESSURE,P1.1	1	1			
49085A	49085-1073	CAP-ASSY-PRESSURE,P1.6	1	1			
	(OPTION)						
49089	49089-0832-25M	SHROUD-ENGINE,LH,GREEN/EBONY	1	1			
49089A	49089-0833-25M	SHROUD-ENGINE,RH,GREEN/EBONY	1	1			
92005	92005-0101	FITTING	1	1			
92015	92015-1367	NUT,FLANGED,6MM	4	4			
92037	92037-1589	CLAMP,COOLING HOSE	4	4			
92075	92075-209	DAMPER	4	4			
92150	92150-1435	BOLT,6X12	2	2			
92152	92152-0666	COLLAR	4	4			
92154	92154-0546	BOLT,FLANGED,6X9	6	6			
92154A	92154-0915	BOLT,FLANGED,6X20	2	2			
92170	92170-1077	CLAMP,HOSE,26MM	4	4			
92170A	92170-1283	CLAMP	2	2			
92171	92171-0372	CLAMP,CLIP,12.5MM	2	2			
92192	92192-0167	TUBE,6X9X640	1	1			
92200	92200-0271	WASHER,6.5X22X2.3	4	4			
132	132BB0625	BOLT-FLANGED-SMALL,6X25	4	4			

This catalog covers:

'13~'14 KX250 ZDF/ZEF Chassis

GRID NO.

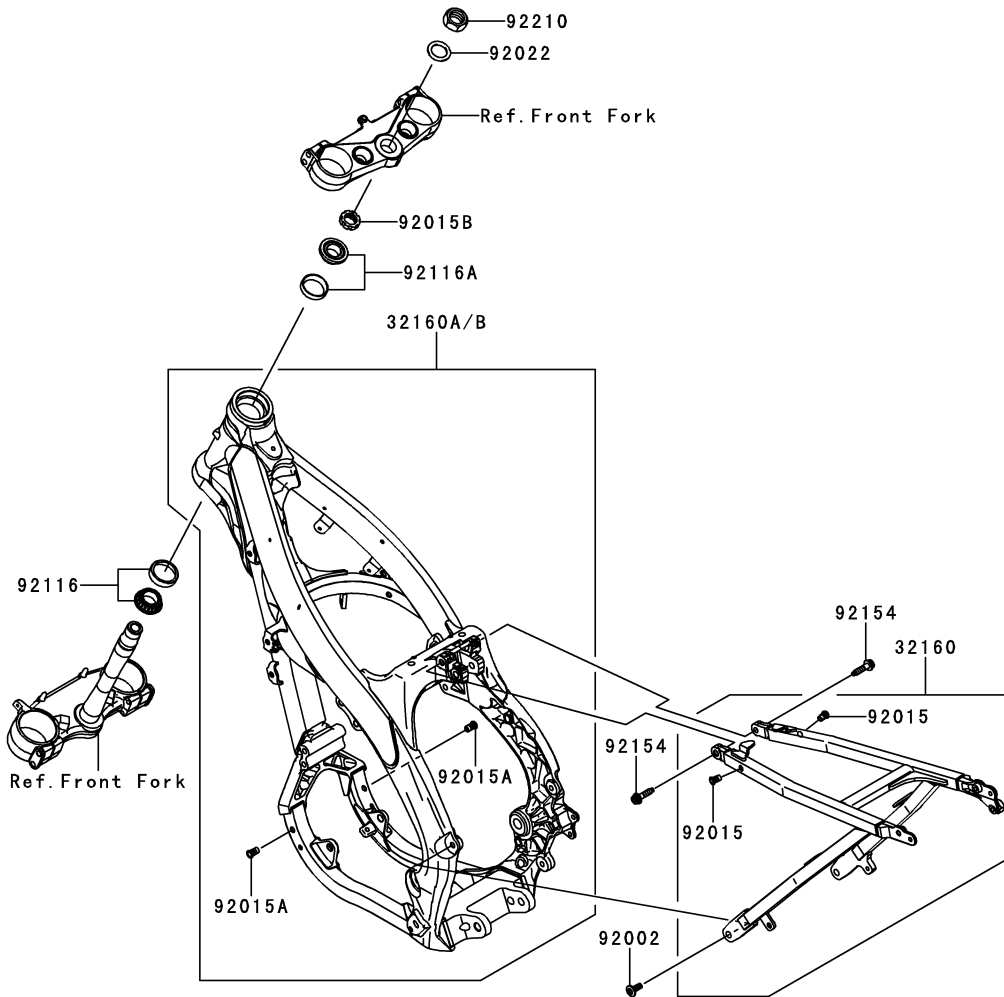
E-3

This grid covers:

Frame



F2120



Ref. No.	Part No.	Description	Spec Code	Quantity-KX250			
				'13	'14		
				ZDF	ZEF		
32160	32160-0543	FRAME-COMP,RR	1	1			
32160A	32160-0628	FRAME-COMP,MAIN	1				
32160B	32160-0706	FRAME-COMP,MAIN		1			
92002	92002-1736	BOLT,DISC PLATE,8X20	2	2			
92015	92015-1791	NUT,POP,6MM,L=15	2	2			
92015A	92015-1792	NUT,POP,6MM,L=16.5	2	2			
92015B	92015-1861	NUT,STEERING STEM,28MM	1	1			
92022	92022-250	WASHER,25X36X2.3	1	1			
92116	92116-1069	BEARING-ROLLER,HI-CAP32006JRRS	1	1			
92116A	92116-1076	BEARING-ROLLER,HI-CAP320/28JRR	1	1			
92154	92154-0024	BOLT,SOCKET,8X32	2	2			
92210	92210-0066	NUT,24MM	1	1			

This catalog covers:

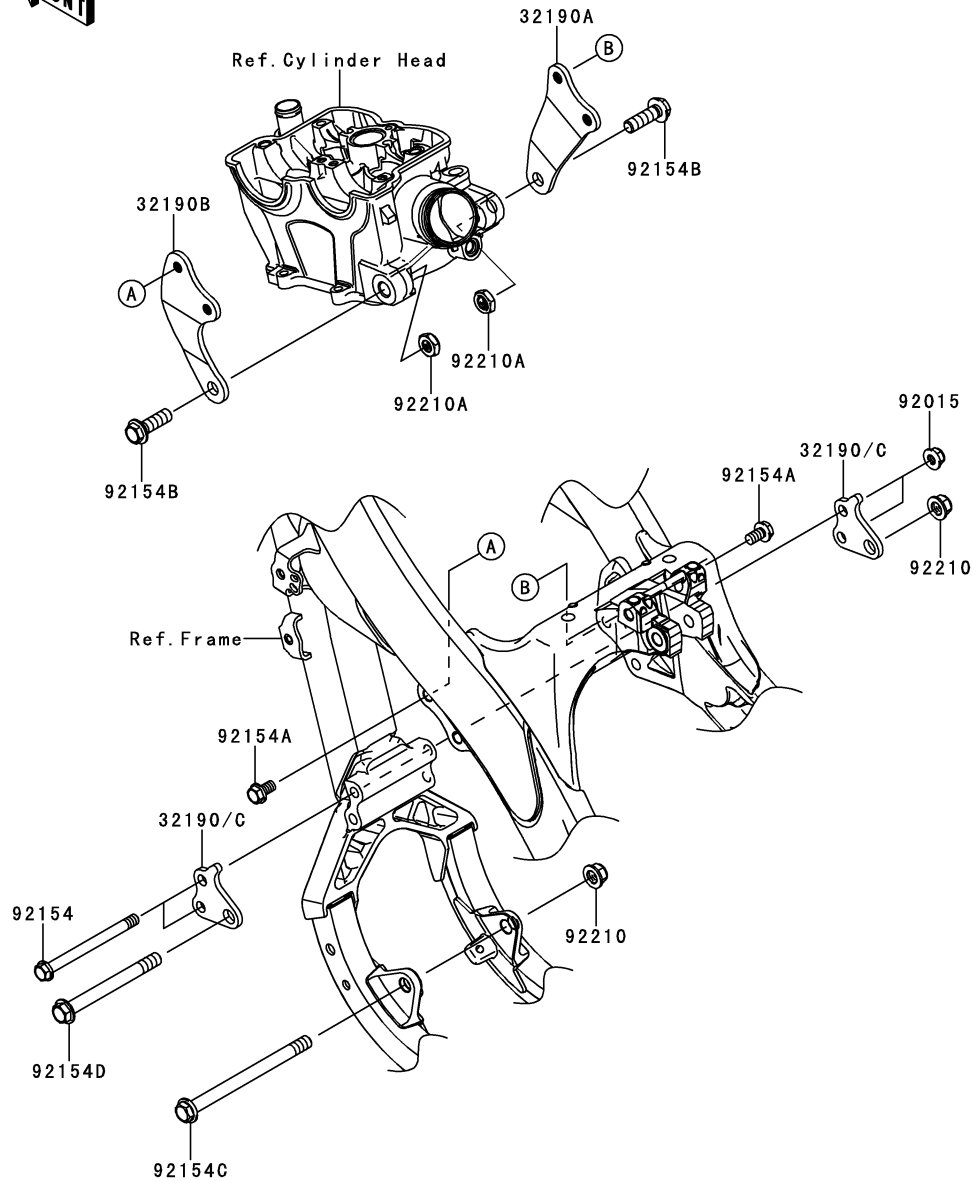
'13~'14 KX250 ZDF/ZEF Chassis

GRID NO.

E-4

This grid covers:

Engine Mount



F2122

Ref. No.	Part No.	Description	Spec Code	Quantity-KX250			
				'13	'14		
				ZDF	ZEF		
32190	32190-0461	BRACKET-ENGINE,FR	2				
32190A	32190-0478	BRACKET-ENGINE,UPP,RH	1	1			
32190B	32190-0607	BRACKET-ENGINE,UPP,LH	1	1			
32190C	32190-0655	BRACKET-ENGINE,FR			2		
92015	92015-1432	NUT,8MM	2	2			
92154	92154-0378	BOLT,FLANGED,8X98	2	2			
92154A	92154-0380	BOLT,FLANGED,8X14	4	4			
92154B	92154-0381	BOLT,FLANGED,10X32	2	2			
92154C	92154-0517	BOLT,FLANGED,10X130	1	1			
92154D	92154-0518	BOLT,FLANGED,10X100	1	1			
92210	92210-1080	NUT,LOCK,FLANGED,10MM	2	2			
92210A	92210-1184	NUT,LOCK,10MM	2	2			

This catalog covers:

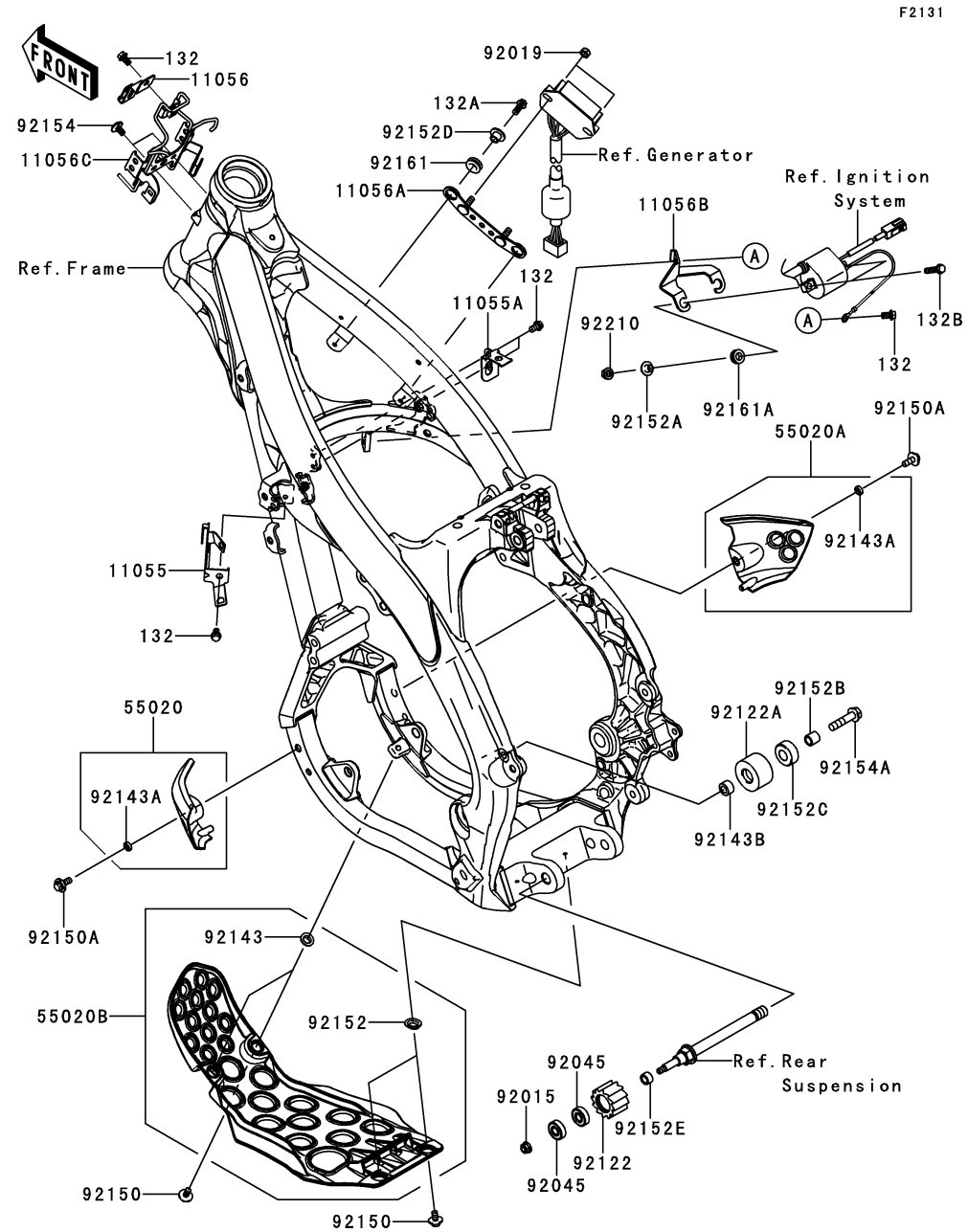
'13~'14 KX250 ZDF/ZEF Chassis

GRID NO.

E-5

This grid covers:

Frame Fittings



F2131

Ref. No.	Part No.	Description	Spec Code	Quantity-KX250			
				'13	'14	ZDF	ZEF
11055	11055-1540	BRACKET,COUPLER		1	1		
11055A	11055-1541	BRACKET		1	1		
11056	11056-0070	BRACKET,DIAG CONNECTOR		1	1		
11056A	11056-0624	BRACKET,REGULATOR		1	1		
11056B	11056-0961	BRACKET,IG. COIL		1	1		
11056C	11056-1657	BRACKET,ECU		1	1		
55020	55020-0435-6C	GUARD,ENGINE,SIDE,LH,EBONY		1	1		
55020A	55020-0436-6C	GUARD,ENGINE,SIDE,RH,EBONY		1	1		
55020B	55020-0443-6C	GUARD,ENGINE,LWR,EBONY		1	1		
92015	92015-1339	NUT,LOCK,FLANGED,6MM		1	1		
92019	92019-008	NUT,LOCK,6MM		2	2		
92045	92045-0060	BEARING-BALL,608LLU/2A		2	2		
92122	92122-0016	ROLLER,CHAIN GUIDE		1	1		
92122A	92122-0042	ROLLER,CHAIN		1	1		
92143	92143-1196	COLLAR		2	2		
92143A	92143-1307	COLLAR		2	2		
92143B	92143-1642	COLLAR,8.5X15X9		1	1		
92150	92150-1435	BOLT,6X12		4	4		
92150A	92150-1506	BOLT,FLANGED,6X16		2	2		
92152	92152-0052	COLLAR		2	2		
92152A	92152-0620	COLLAR		2	2		
92152B	92152-0944	COLLAR,8.5X12.5X12.5		1	1		
92152C	92152-0945	COLLAR,12.7X27.2X12		1	1		
92152D	92152-1449	COLLAR		2	2		
92152E	92152-1624	COLLAR,8.1X12.5X7.5		1	1		
92154	92154-0774	BOLT,SOCKET,6X10		2	2		
92154A	92154-0913	BOLT,FLANGED,8X35		1	1		
92161	92161-0266	DAMPER		2	2		
92161A	92161-0878	DAMPER,8.5X15.5X5.5		2	2		
92210	92210-0630	NUT,FLANGED,6MM		2	2		
132	132BA0610	BOLT-FLANGED-SMALL,6X10		5	5		
132A	132BA0614	BOLT-FLANGED-SMALL,6X14		2	2		
132B	132BA0625	BOLT-FLANGED-SMALL,6X25		2	2		

This catalog covers:

'13~'14 KX250 ZDF/ZEF Chassis

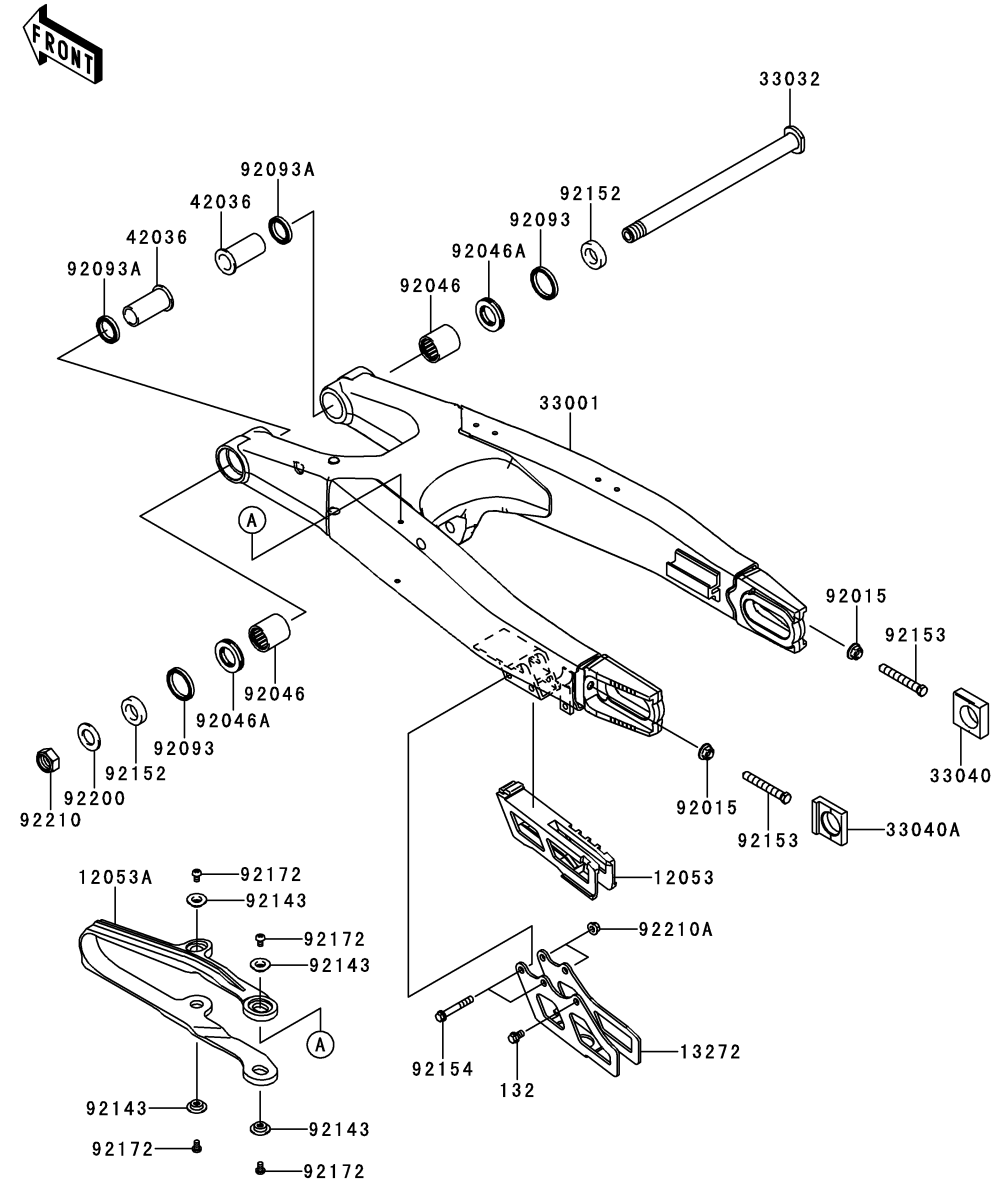
GRID NO.

E-6

This grid covers:

Swingarm

F2141



Ref. No.	Part No.	Description	Spec Code	Quantity-KX250			
				'13	'14		
				ZDF	ZEF		
12053	12053-0125	GUIDE-CHAIN	1	1			
12053A	12053-0192	GUIDE-CHAIN,HARDNESS UP	1	1			
13272	13272-1169	PLATE,CHAIN GUIDE	1	1			
33001	33001-0594	ARM-COMP-SWING	1	1			
33032	33032-0012	SHAFT-SWING ARM	1	1			
33040	33040-0020	ADJUSTER-CHAIN,RH	1	1			
33040A	33040-0075	ADJUSTER-CHAIN,LH	1	1			
42036	42036-0019	SLEEVE,SWING ARM,L=47.5	2	2			
92015	92015-1014	NUT,FLANGED,8MM	2	2			
92046	92046-1174	BEARING-NEEDLE,TA2230Z	2	2			
92046A	92046-1240	BEARING-NEEDLE,NTBR22356E01	2	2			
92093	92093-1434	SEAL,SDO29X35X4.5	2	2			
92093A	92093-1435	SEAL,SDO22X29X5	2	2			
92143	92143-1676	COLLAR	4	4			
92152	92152-0292	COLLAR,17.1X29X6	2	2			
92153	92153-0620	BOLT,8X56	2	2			
92154	92154-0511	BOLT,FLANGED,6X42	2	2			
92172	92172-0119	SCREW,5X8	4	4			
92200	92200-0285	WASHER,17.2X30X2.3	1	1			
92210	92210-0285	NUT,LOCK,16MM	1	1			
92210A	92210-0630	NUT,FLANGED,6MM	2	2			
132	132BA0610	BOLT-FLANGED-SMALL,6X10	1	1			

This catalog covers:

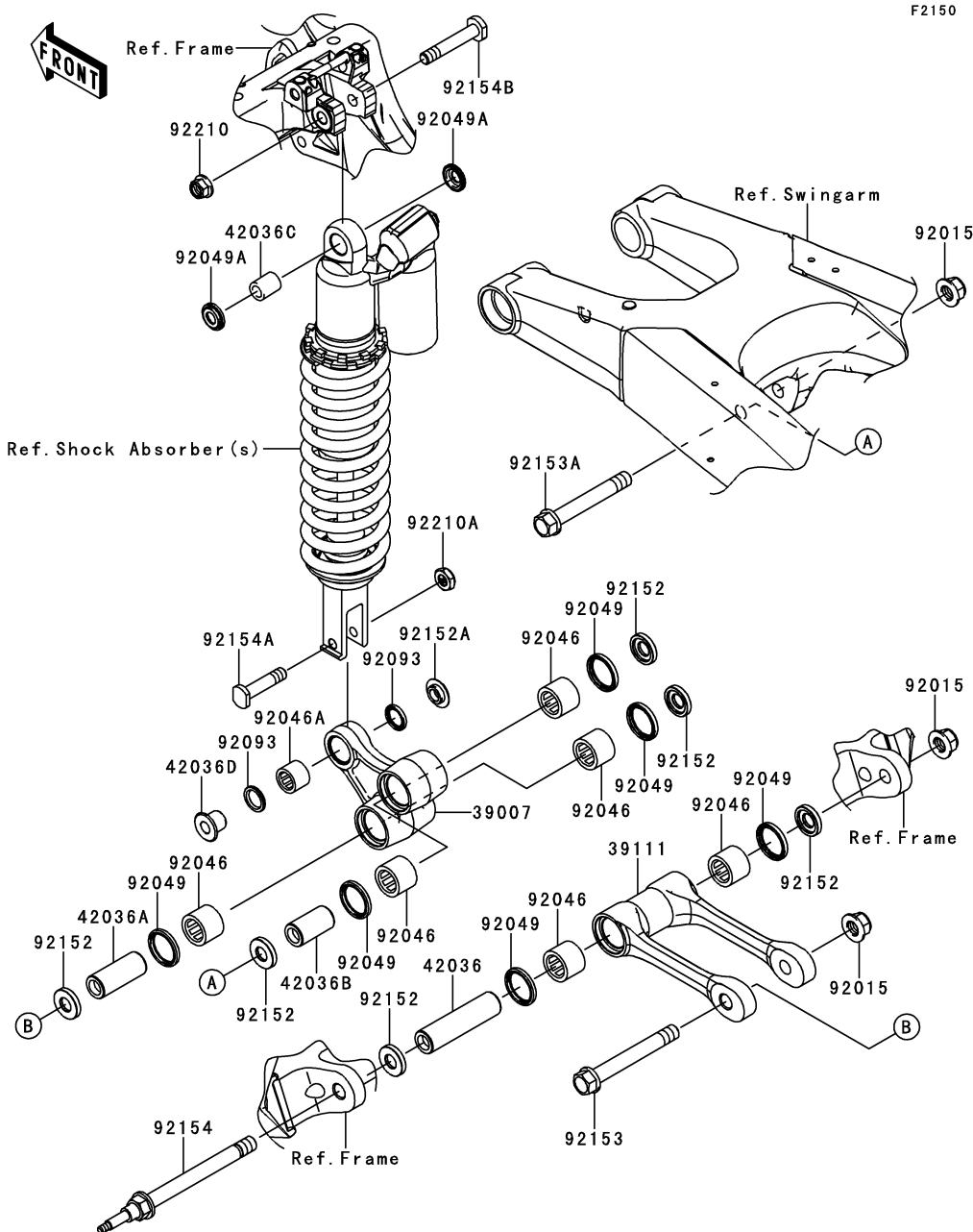
'13~'14 KX250 ZDF/ZEF Chassis

GRID NO.

E-7

This grid covers:

Suspension



Ref. No.	Part No.	Description	Spec Code	Quantity-KX250			
				'13	'14		
				ZDF	ZEF		
39007	39007-0361	ARM-SUSP,UNI TRAK	1	1			
39111	39111-0309	ROD-TIE,SUSPENSION	1	1			
42036	42036-0020	SLEEVE,ROD,L=78.4	1	1			
42036A	42036-0021	SLEEVE,SUSPENSION ARM,L=49	1	1			
42036B	42036-0022	SLEEVE,SUSPENSION ARM,L=37	1	1			
42036C	42036-0030	SLEEVE,10X16X19.3	1	1			
42036D	42036-1351	SLEEVE	1	1			
92015	92015-1433	NUT,LOCK,FLANGED,12MM	3	3			
92046	92046-1151	BEARING-NEEDLE,F-2016	6	6			
92046A	92046-1301	BEARING-NEEDLE,7E-HVS16X22X12	1	1			
92049	92049-0063	SEAL-OIL,SDO26X32X4	6	6			
92049A	92049-0069	SEAL-OIL	2	2			
92093	92093-1436	SEAL	2	2			
92152	92152-0425	COLLAR	6	6			
92152A	92152-1139	COLLAR	1	1			
92153	92153-0938	BOLT,FLANGED,12X95	1	1			
92153A	92153-0939	BOLT,FLANGED,12X86	1	1			
92154	92154-0394	BOLT,12X122	1	1			
92154A	92154-0512	BOLT,10X45	1	1			
92154B	92154-0513	BOLT,10X58	1	1			
92210	92210-1080	NUT,LOCK,FLANGED,10MM	1	1			
92210A	92210-1184	NUT,LOCK,10MM	1	1			

This catalog covers:

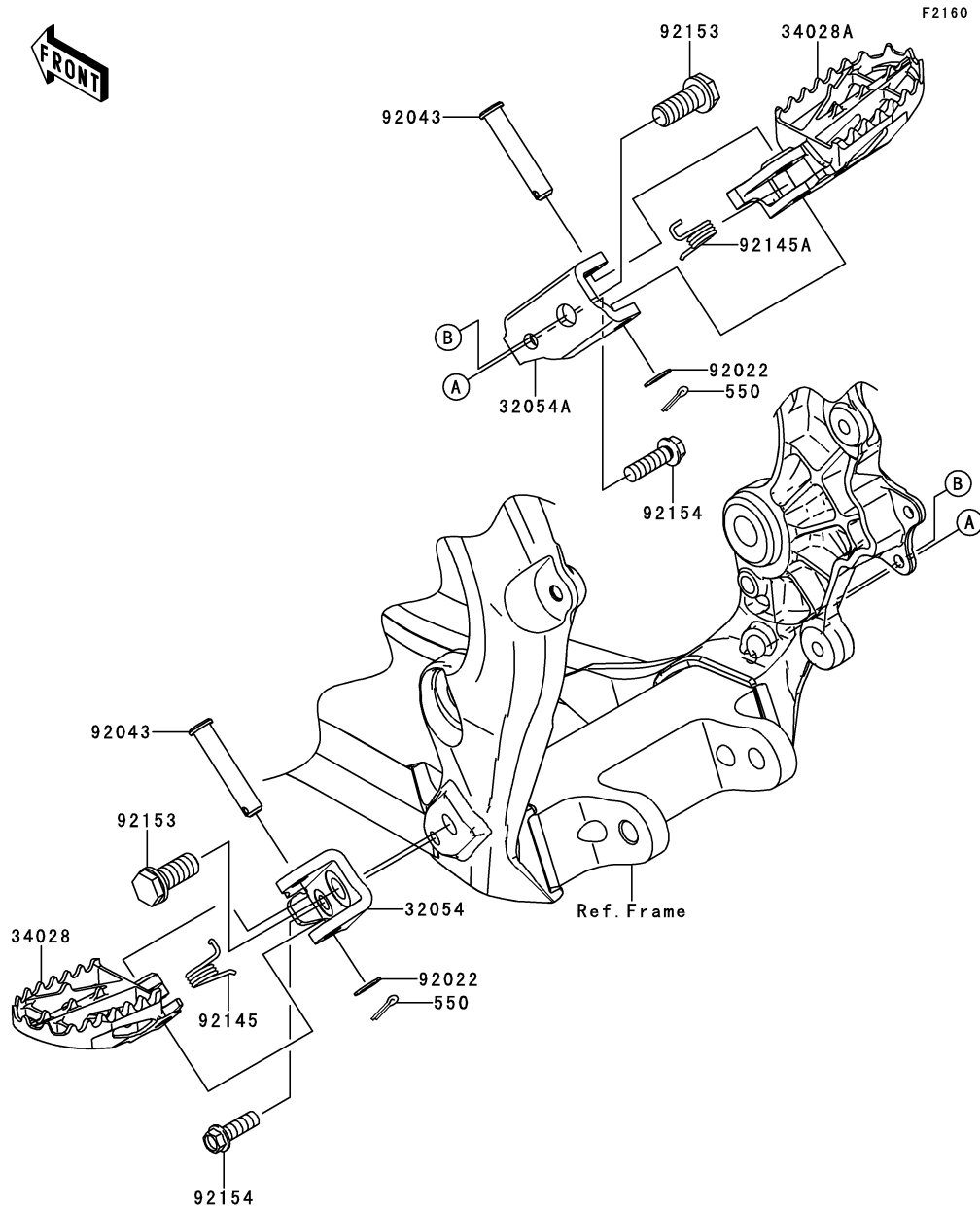
'13~'14 KX250 ZDF/ZEF Chassis

GRID NO.

E-8

This grid covers:

Footrests



Ref. No.	Part No.	Description	Spec Code	Quantity-KX250			
				'13	'14		
				ZDF	ZEF		
32054	32054-0049	BRACKET-STEP,LH	1	1			
32054A	32054-0050	BRACKET-STEP,RH	1	1			
34028	34028-0104	STEP,LH	1	1			
34028A	34028-0105	STEP,RH	1	1			
92022	92022-1829	WASHER,10.2X16X1	2	2			
92043	92043-0074	PIN,10X42.5	2	2			
92145	92145-0800	SPRING,STEP,LH	1	1			
92145A	92145-0801	SPRING,STEP,RH	1	1			
92153	92153-0653	BOLT,FLANGED,12X23	2	2			
92154	92154-0515	BOLT,FLANGED,8X25	2	2			
550	550S3020	PIN-COTTER,3.0X20	2	2			

This catalog covers:

'13~'14 KX250 ZDF/ZEF Chassis

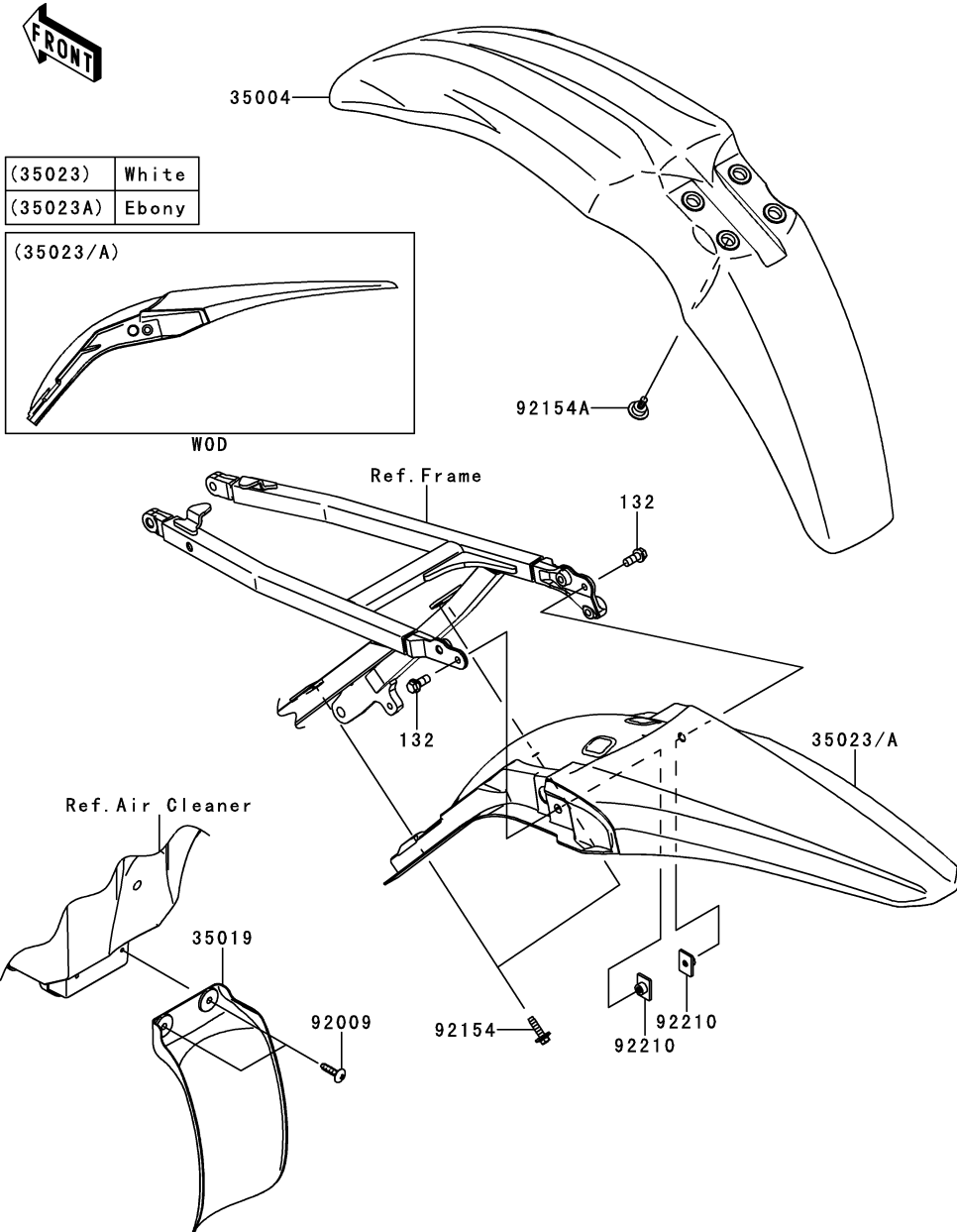
GRID NO.

E-9

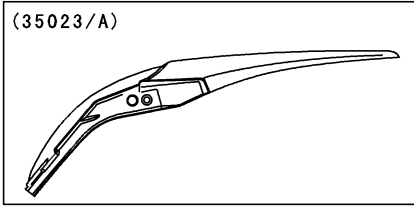
This grid covers:

Fenders

F2170



(35023)	White
(35023A)	Ebony



(35023/A)

Ref. No.	Part No.	Description	Spec Code	Quantity-KX250			
				'13	'14	ZDF	ZEF
35004	35004-0319-290	FENDER-FRONT,L.GREEN		1	1		
35019	35019-0050	FLAP,AIR FILTER		1	1		
35023	35023-0357-266	FENDER-REAR,B.WHITE					1
35023A	35023-0357-6C	FENDER-REAR,EBONY					1
92009	92009-1993	SCREW,TAPPING,5X20		2	2		
92154	92154-0772	BOLT,FLANGED,6X23		2	2		
92154A	92154-0972	BOLT,6X18.5		4	4		
92210	92210-1352	NUT,PLATE,6MM		2	2		
132	132BA0614	BOLT-FLANGED-SMALL,6X14		2	2		

This catalog covers:

'13~'14 KX250 ZDF/ZEF Chassis

GRID NO.

E-10

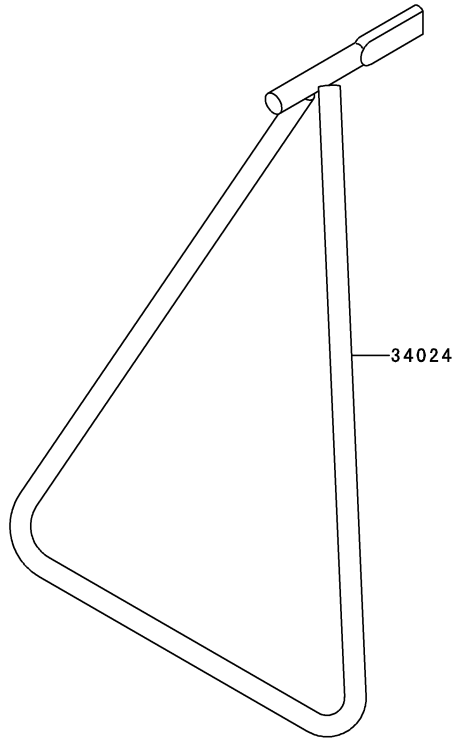
This grid covers:

Stand(s)

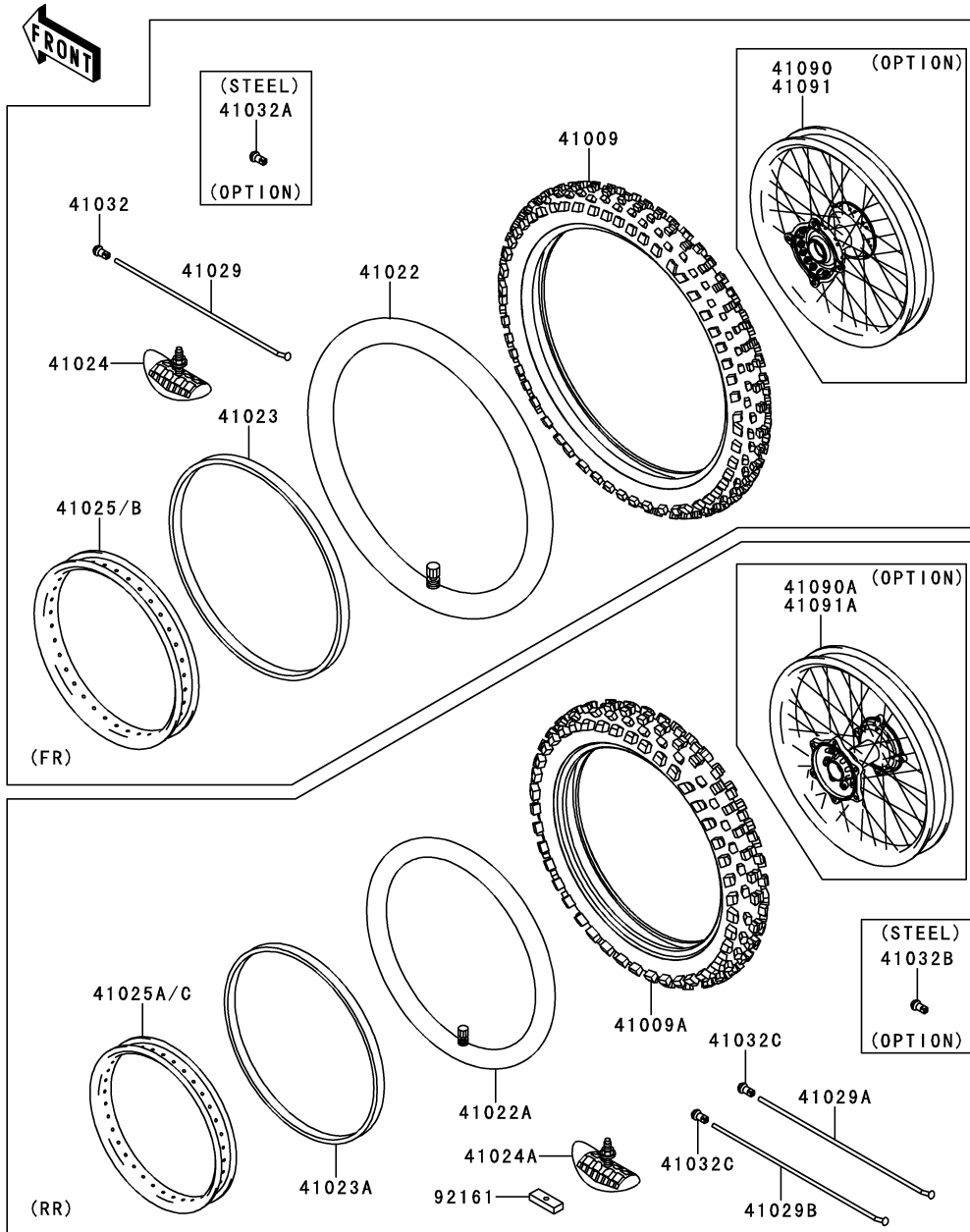


F2190

Ref. No.	Part No.	Description	Spec Code	Quantity-KX250			
				'13	'14		
				ZDF	ZEF		
34024	34024-0074	STAND-SIDE		1	1		



F2210



Ref. No.	Part No.	Description	Spec Code	Quantity-KX250			
				'13	'14		
				ZDF	ZEF		
41009	41009-0531	TIRE,FR,80/100-21 51M,MX51F(D)	1	1			
41009A	41009-0532	TIRE,RR,100/90-19 57M,MX51(D)	1	1			
41022	41022-0022	TUBE-TIRE,FR,90/100-21(D)	1	1			
41022A	41022-1129	TUBE-TIRE,RR,100/90-19(D)	1	1			
41023	41023-1009	BAND-RIM,FR,X-21(BS)	1	1			
41023A	41023-1081	BAND-RIM,RR,110/90-19(BS)	1	1			
41024	41024-010	STOPPER-RIM,FR,1.60-M(DUNLOP)	1	1			
41024A	41024-011	STOPPER-RIM,RR,1.85-M(DUNLOP)	1	1			
41025	41025-0146-WC	RIM,FR,1.60X21,BLACK	1				
41025A	41025-0147-WC	RIM,RR,1.85X19,BLACK	1				
41025B	41025-0339-WC	RIM,FR,1.60X21,BLACK		1			
41025C	41025-0344-WC	RIM,RR,1.85X19,BLACK		1			
41029	41029-0003	SPOKE-INNER,FR	36	36			
41029A	41029-1204	SPOKE-INNER,RR,202MMX160D	27	27			
41029B	41029-1330	SPOKE-INNER,RR,204MMX159D	9	9			
41032	41032-0002	NIPPLE-SPOKE,FR,ALUMINIUM	36	36			
41032A	41032-1077	NIPPLE-SPOKE,FR,8X9X20(+),STEEL	36	36			
	(OPTION)						
41032B	41032-1085	NIPPLE-SPOKE,RR,STEEL	36	36			
	(OPTION)						
41032C	41032-1086	NIPPLE-SPOKE,RR,ALUMINIUM	36	36			
41090	41090-0114-WC	WHEEL,FR,1.60X21,AL NIPPLE,BLK	1				
	(OPTION)						
41090A	41090-0115-WC	WHEEL,RR,1.85X19,AL NIPPLE,BLK	1				
	(OPTION)						
41091	41091-0004-WC	WHEEL,FR,1.60X21,AL NIPPLE,BLK		1			
	(OPTION)						
41091A	41091-0005-WC	WHEEL,RR,1.85X19,AL NIPPLE,BLK		1			
	(OPTION)						
92161	92161-1184	DAMPER,RIM STOPPER	1	1			

This catalog covers:

'13~'14 KX250 ZDF/ZEF Chassis

GRID NO.

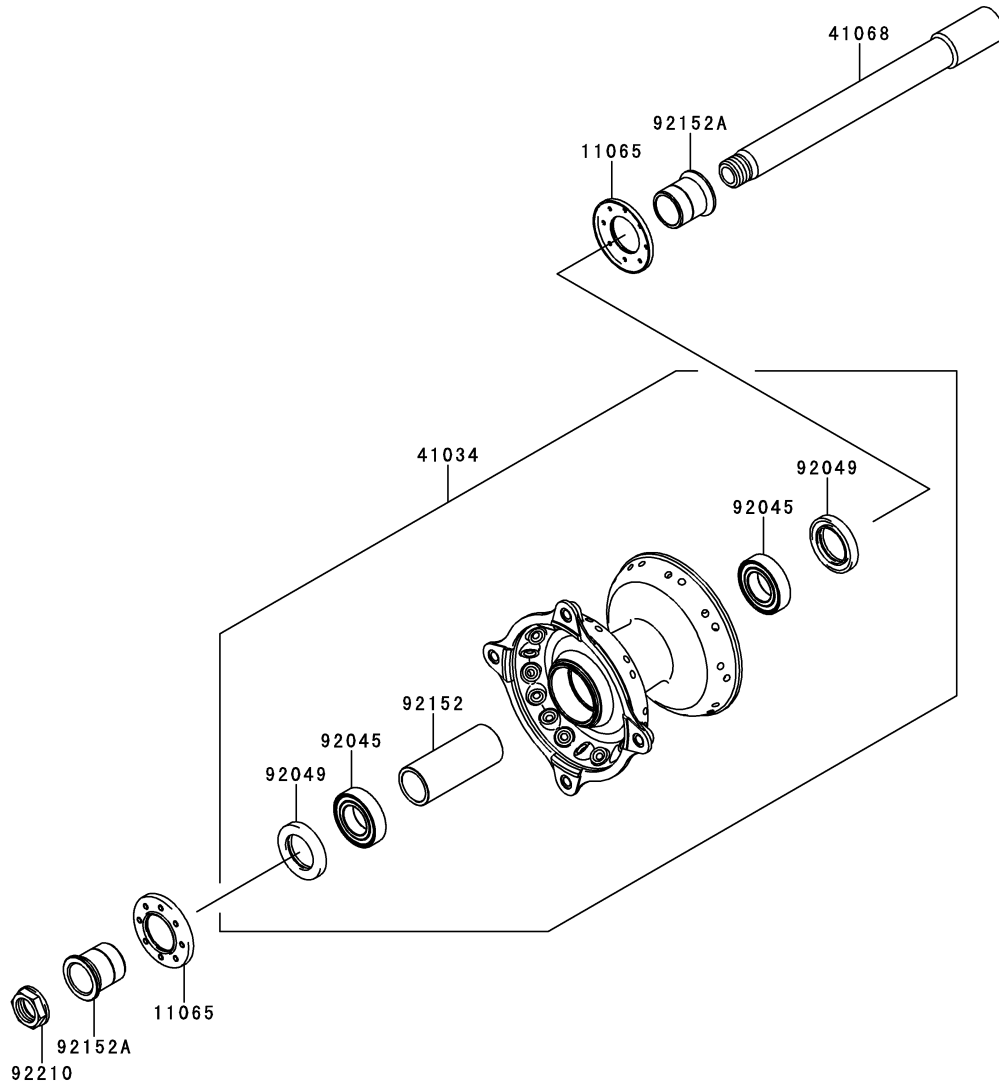
E-12

This grid covers:

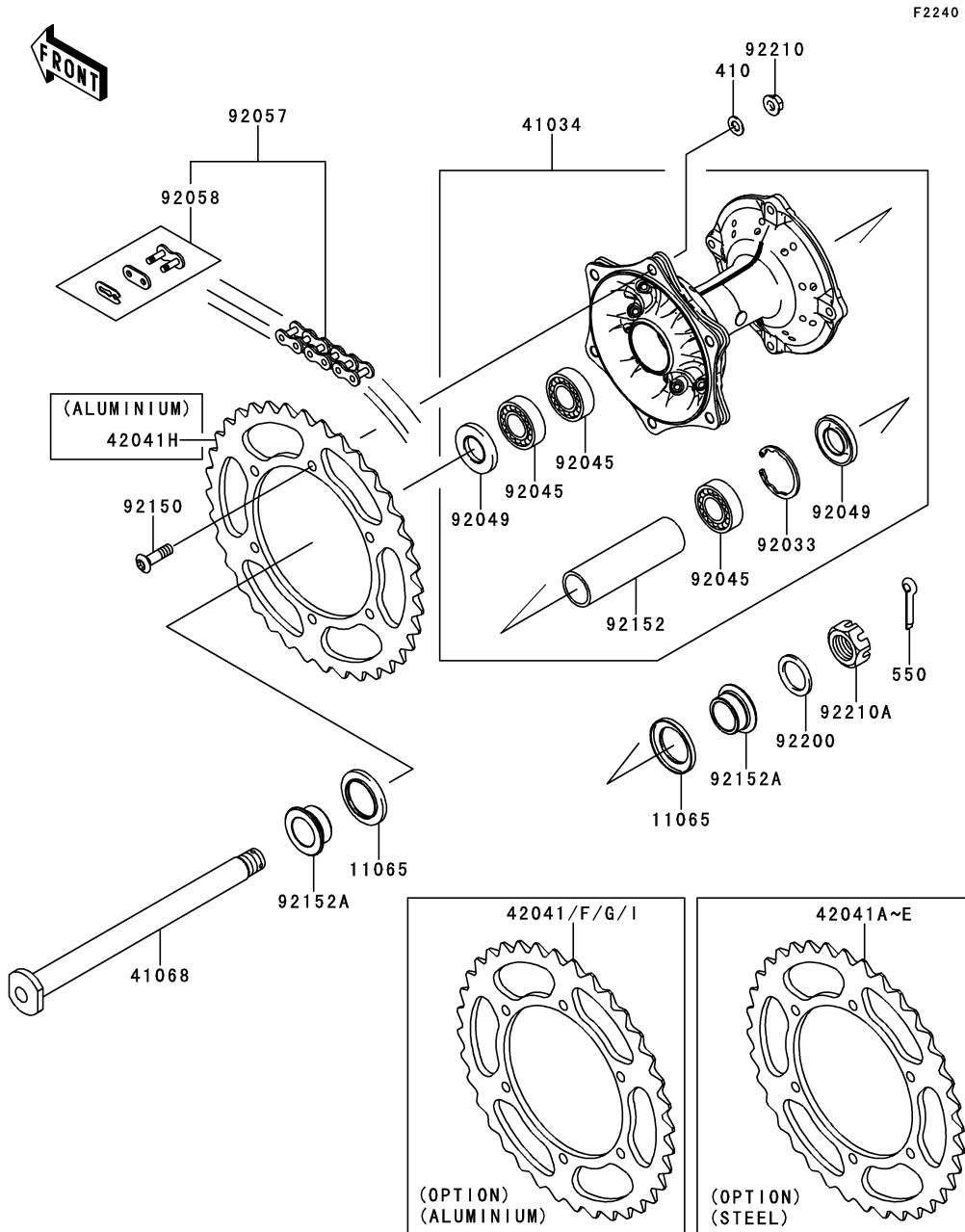
Front Hub



F2230



Ref. No.	Part No.	Description	Spec Code	Quantity-KX250			
				'13	'14		
				ZDF	ZEF		
11065	11065-0786	CAP,AXLE	2	2			
41034	41034-0034	DRUM-ASSY,FRONT BRAKE	1	1			
41068	41068-0004	AXLE,FR	1	1			
92045	92045-1284	BEARING-BALL,69042RS	2	2			
92049	92049-1403	SEAL-OIL,BJNC-2 25X37X5	2	2			
92152	92152-0028	COLLAR,FRONT BRAKE DRUM,L=65	1	1			
92152A	92152-0324	COLLAR,FR AXLE,L=27.5	2	2			
92210	92210-0065	NUT,18MM	1	1			



Ref. No.	Part No.	Description	Spec Code	Quantity-KX250			
				'13	'14		
				ZDF	ZEF		
11065	11065-1253	CAP,AXLE	2	2			
41034	41034-0057	DRUM-ASSY,REAR BRAKE	1	1			
41068	41068-1466	AXLE,RR	1	1			
42041	42041-0001	SPROCKET-HUB,52T,AL	1	1			
	(OPTION)						
42041A	42041-1383	SPROCKET-HUB,48T,STEEL	1	1			
	(OPTION)						
42041B	42041-1384	SPROCKET-HUB,49T,STEEL	1	1			
	(OPTION)						
42041C	42041-1408	SPROCKET-HUB,50T,STEEL	1	1			
	(OPTION)						
42041D	42041-1428	SPROCKET-HUB,51T,STEEL	1	1			
	(OPTION)						
42041E	42041-1429	SPROCKET-HUB,52T,STEEL	1	1			
	(OPTION)						
42041F	42041-1448	SPROCKET-HUB,48T,AL	1	1			
	(OPTION)						
42041G	42041-1449	SPROCKET-HUB,49T,AL	1	1			
	(OPTION)						
42041H	42041-1450	SPROCKET-HUB,50T,AL	1	1			
42041I	42041-1451	SPROCKET-HUB,51T,AL	1	1			
	(OPTION)						
92033	92033-1041	RING-SNAP,42MM	1	1			
92045	92045-1446	BEARING-BALL,69052RS	3	3			
92049	92049-1614	SEAL-OIL	2	2			
92057	92057-0192	CHAIN,DRIVE,DID520DMA4X114L	1	1			
92058	92058-1074	JOINT-CHAIN,DRIVE	1	1			
92150	92150-1978	BOLT,SOCKET,8X28	6	6			
92152	92152-1427	COLLAR,REAR BRAKE DRUM,L=106.5	1	1			
92152A	92152-1544	COLLAR,RR HUB	2	2			
92200	92200-1623	WASHER,22.5X35X2.3	1	1			
92210	92210-0493	NUT,FLANGED,LOCK,8MM	6	6			
92210A	92210-1411	NUT,CASTLE,22MM	1	1			
410	410AA0800	WASHER-PLAIN-SMALL,8MM	6	6			
550	550AA3035	PIN-COTTER,3.0X35	1	1			

This catalog covers:

'13~'14 KX250 ZDF/ZEF Chassis

GRID NO.

E-14

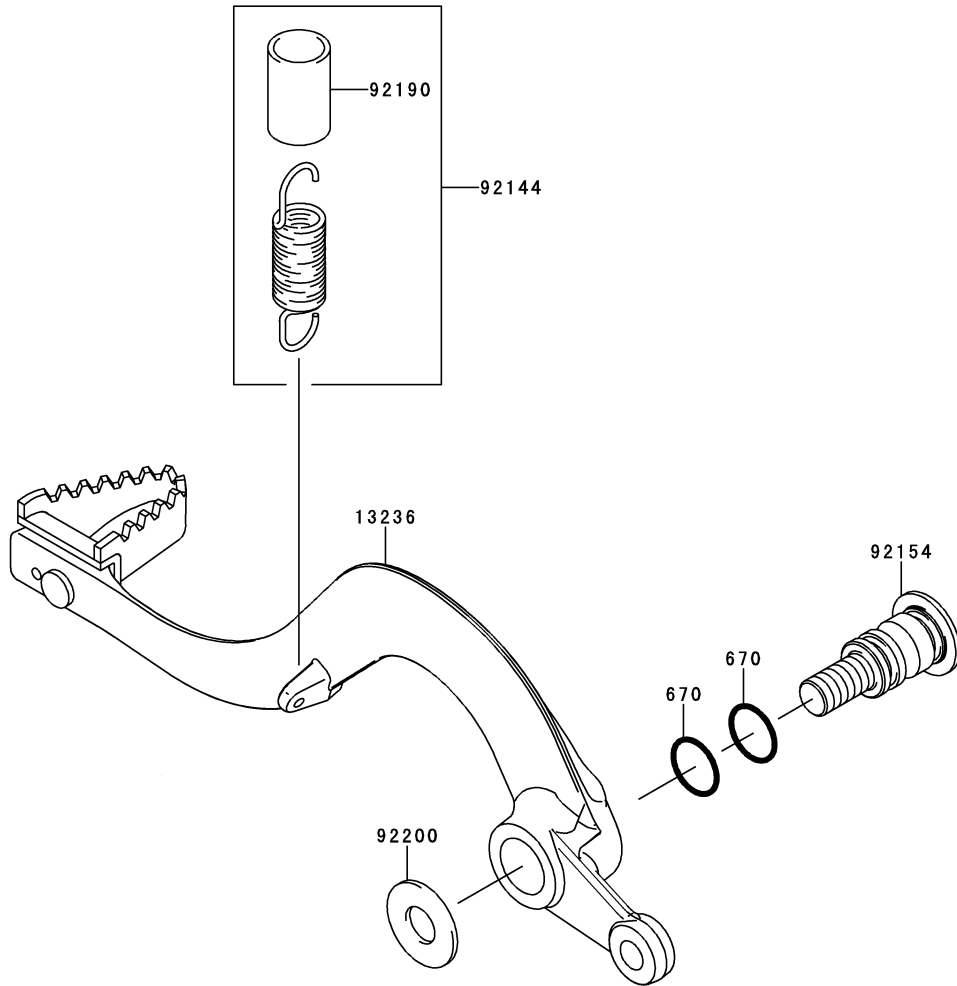
This grid covers:

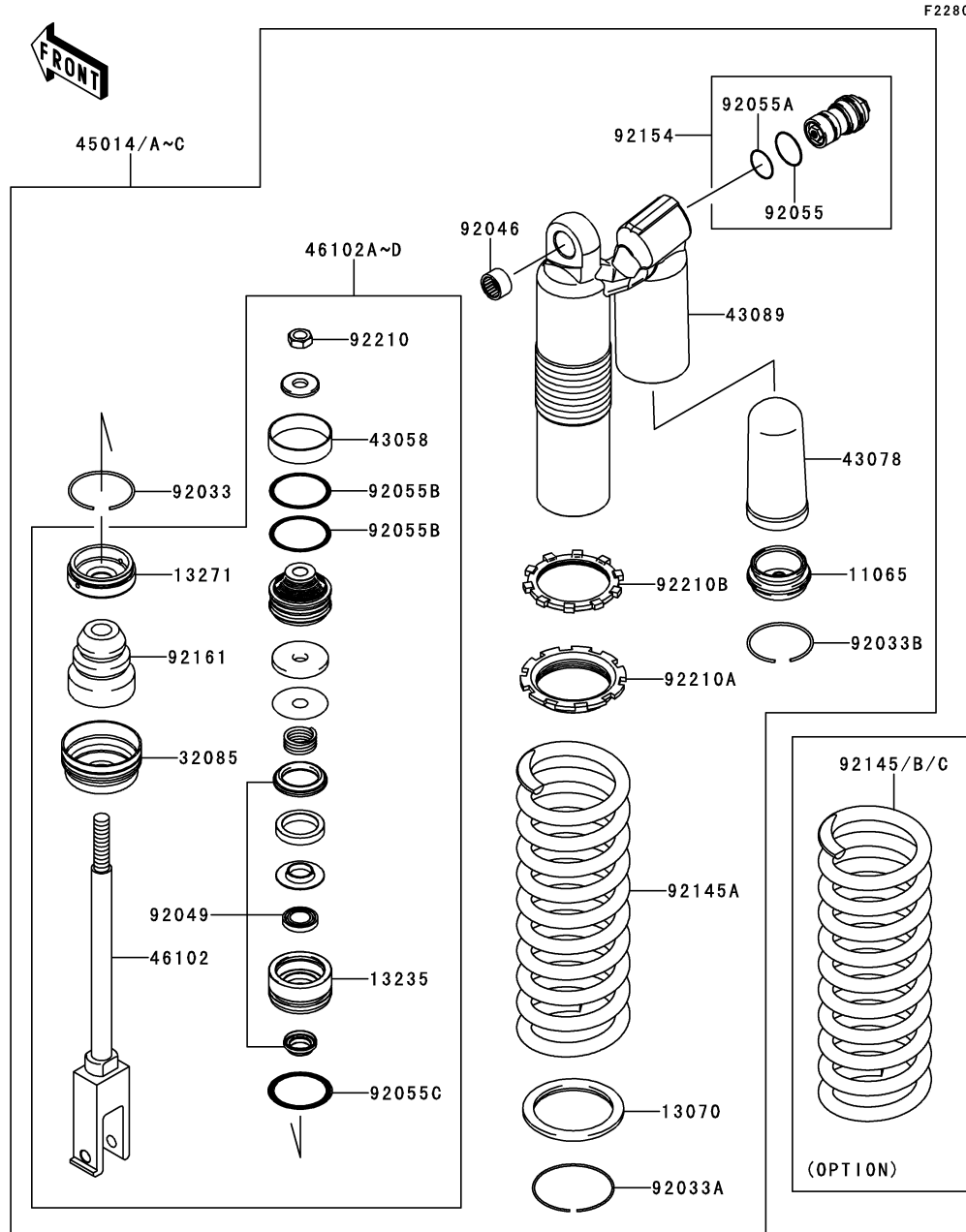
Brake Pedal



F2260

Ref. No.	Part No.	Description	Spec Code	Quantity-KX250			
				'13	'14		
				ZDF	ZEF		
13236	13236-0097	LEVER-COMP, BRAKE PEDAL	1	1			
92144	92144-1752	SPRING, BRAKE PEDAL RETURN	1	1			
92154	92154-0516	BOLT, BRAKE PEDAL, 10MM	1	1			
92190	92190-1488	TUBE, 13X16X25	1	1			
92200	92200-0154	WASHER, 10.5X24X1.5	1	1			
670	670B2012	O RING, 12MM	2	2			





Ref. No.	Part No.	Description	Spec Code	Quantity-KX250			
				'13	'14		
				ZDF	ZEF		
11065	11065-0340	CAP,CHAMBER	1	1			
13070	13070-0057	GUIDE,SPRING SEAT	1	1			
13235	13235-0003	GUIDE-COMP,ROD	1	1			
13271	13271-0858	PLATE,END	1	1			
32085	32085-0077	STOPPER,SPRING SEAT	1	1			
43058	43058-0012	RING,PISTON	1	1			
43078	43078-0030	RESERVOIR	1	1			
43089	43089-0026	CYLINDER-SHOCKABSORBER	1	1			
45014	45014-0392-23P	SHOCKABSORBER,SPG BLK+AJ BLUE					
		L-----	AS	1			
45014A	45014-0405-23P	SHOCKABSORBER,SPG BLK+AJ BLUE					
		L-----	EU	1			
45014B	45014-0416-23P	SHOCKABSORBER,SPG BLK+AJ BLUE					
		L-----	AS	1			
45014C	45014-0417-23P	SHOCKABSORBER,SPG BLK+AJ BLUE					
		L-----	EU	1			
46102	46102-0574	ROD,PISTON	1	1			
46102A	46102-0582	ROD,PISTON COMP					
		L-----	AS	1			
46102B	46102-0584	ROD,PISTON COMP					
		L-----	EU	1			
46102C	46102-0590	ROD,PISTON COMP					
		L-----	AS	1			
46102D	46102-0591	ROD,PISTON COMP					
		L-----	EU	1			
92033	92033-0040	RING-SNAP	1	1			
92033A	92033-0042	RING-SNAP	1	1			
92033B	92033-0076	RING-SNAP	1	1			
92046	92046-1301	BEARING-NEEDLE,7E-HVS16X22X12	1	1			
92049	92049-0151	SEAL-OIL	1	1			
92055	92055-0098	RING-O,PLUG BOLT	1	1			
92055A	92055-0099	RING-O,PLUG BOLT	1	1			
92055B	92055-0100	RING-O	2	2			
92055C	92055-0101	RING-O	1	1			
92145	92145-0465-10 (OPTION)	SPRING,REAR SHOCK,K=49N/MM,BLK	1	1			
92145A	92145-0887-10	SPRING,REAR SHOCK,K=53N/MM,BLK	1	1			
92145B	92145-0888-10 (OPTION)	SPRING,REAR SHOCK,K=51N/MM,BLK	1	1			
92145C	92145-0889-10 (OPTION)	SPRING,REAR SHOCK,K=55N/MM,BLK	1	1			

This catalog covers:

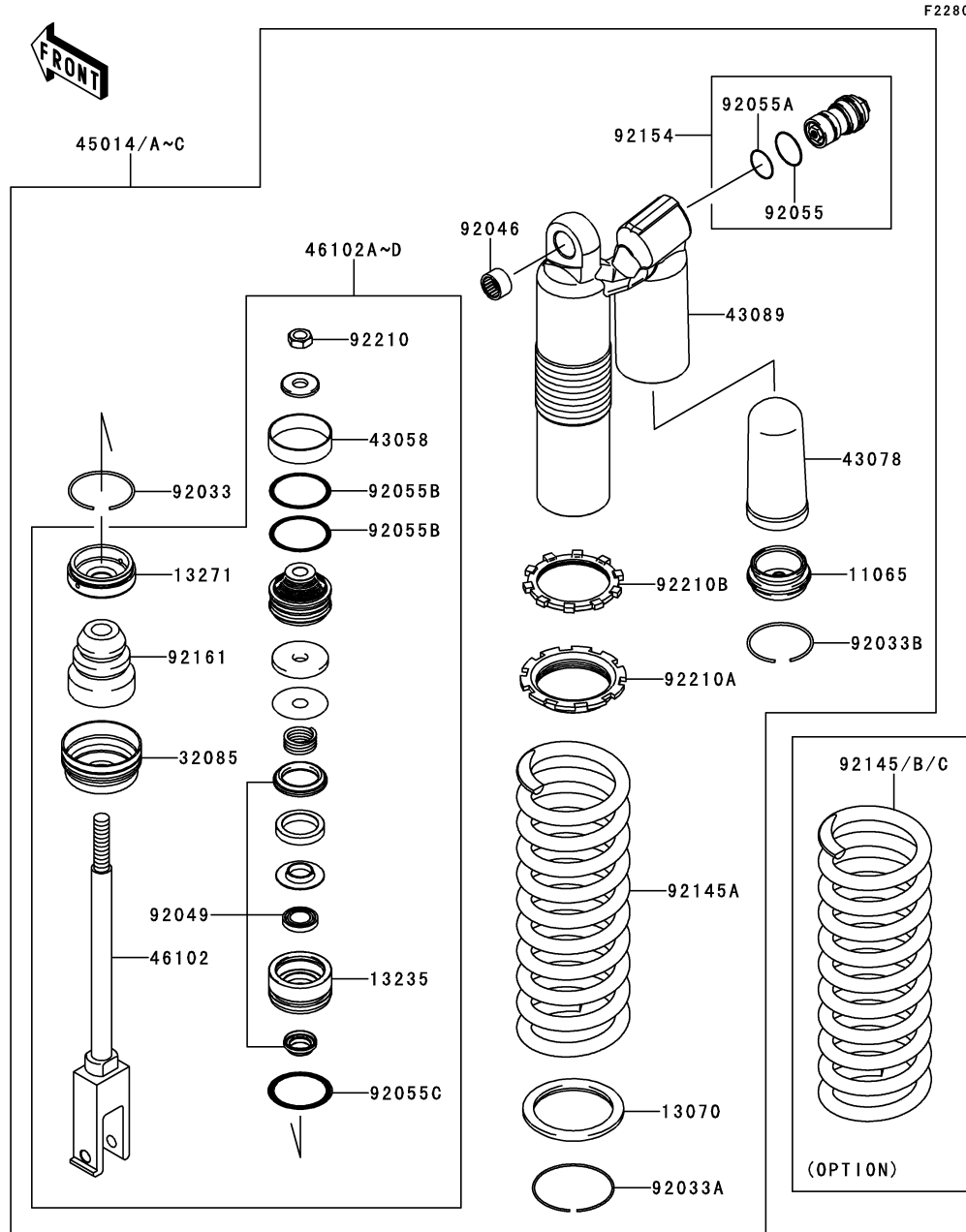
'13~'14 KX250 ZDF/ZEF Chassis

GRID NO.

F-4

This grid covers:

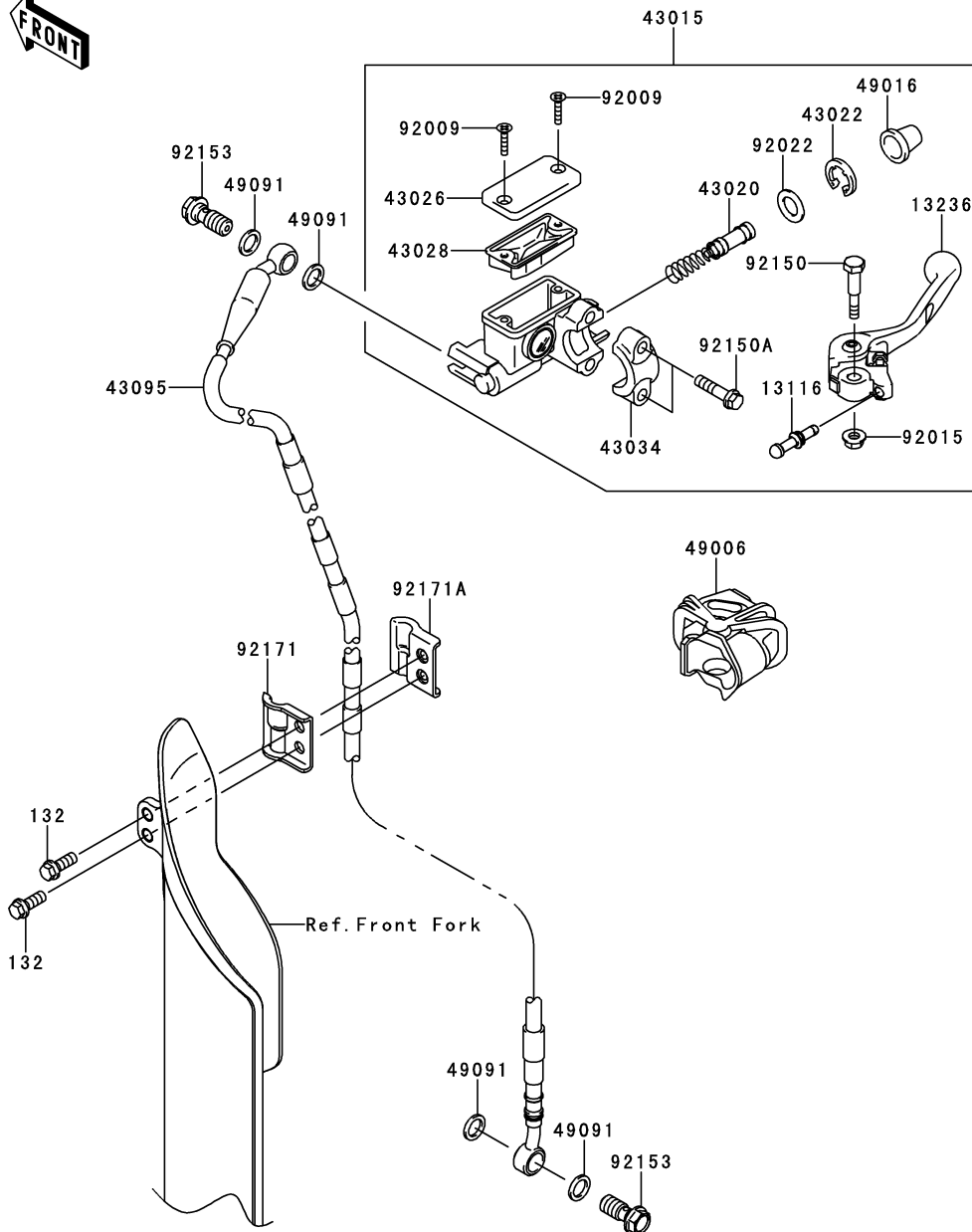
Shock Absorber(s)(2/2)



Ref. No.	Part No.	Description	Spec Code	Quantity-KX250			
				'13	'14	ZDF	ZEF
92154	92154-1109-KW	BOLT,ADJ.,BLUE		1	1		
92161	92161-0329	DAMPER,STOPPER		1	1		
92210	92210-0270	NUT,PISTON		1	1		
92210A	92210-0814	NUT,SPRING ADJUSTER		1	1		
92210B	92210-0815	NUT,SPRING ADJUST NUT		1	1		



F2291



Ref. No.	Part No.	Description	Spec Code	Quantity-KX250			
				'13	'14		
				ZDF	ZEF		
13116	13116-0043	ROD-PUSH	1	1			
13236	13236-0724	LEVER-COMP,FRONT BRAKE	1	1			
43015	43015-0579	CYLINDER-ASSY-MASTER	1	1			
43020	43020-1115	PISTON-COMP-BRAKE	1	1			
43022	43022-1010	STOPPER-BRAKE,PISTON	1	1			
43026	43026-0020	CAP-BRAKE,MASTER CYLINDER	1	1			
43028	43028-1067	DIAPHRAGM	1	1			
43034	43034-1110	HOLDER-BRAKE	1	1			
43095	43095-0755	HOSE-BRAKE,L=1316	1	1			
49006	49006-0078	BOOT,FRONT BRAKE LEVER	1	1			
49016	49016-1044	COVER-SEAL,MASTER CYLINDER	1	1			
49091	49091-0001	WASHER-SEAL,10.1X14.5X1.5	4	4			
92009	92009-1795	SCREW	2	2			
92015	92015-1528	NUT,FLANGED,6MM	1	1			
92022	92022-1814	WASHER	1	1			
92150	92150-1451	BOLT,LEVER SET	1	1			
92150A	92150-1452	BOLT	2	2			
92153	92153-1419	BOLT,OIL,L=23	2	2			
92171	92171-0481	CLAMP,BRAKE HOSE,LH	1	1			
92171A	92171-0482	CLAMP,BRAKE HOSE,RH	1	1			
132	132BA0616	BOLT-FLANGED-SMALL,6X16	2	2			

This catalog covers:

'13~'14 KX250 ZDF/ZEF Chassis

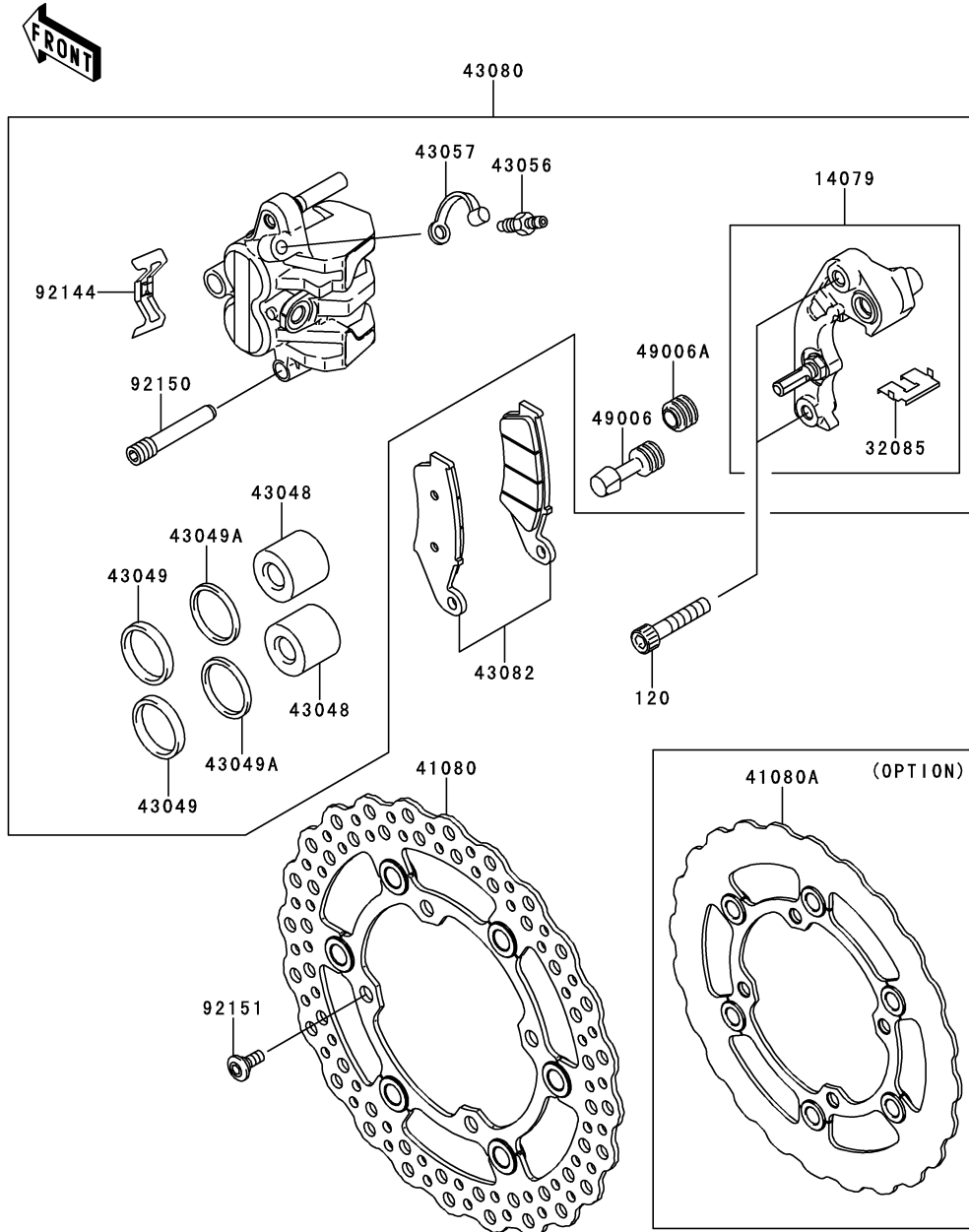
GRID NO.

F-6

This grid covers:

Front Brake

F2292



Ref. No.	Part No.	Description	Spec Code	Quantity-KX250			
				'13	'14	ZDF	ZEF
14079	14079-0043	HOLDER-ASSY,FRONT CALIPER		1	1		
32085	32085-1361	STOPPER,PAD		1	1		
41080	41080-0192	DISC,FR		1	1		
41080A	41080-0193	DISC,FR		1	1		
	(OPTION)						
43048	43048-1093	PISTON-CALIPER		2	2		
43049	43049-1060	PACKING,PISTON SEAL		2	2		
43049A	43049-1061	PACKING,PISTON SEAL		2	2		
43056	43056-1055	BREATHER		1	1		
43057	43057-1001	CAP-BREATHER		1	1		
43080	43080-0081	CALIPER-SUB-ASSY,FR		1	1		
43082	43082-0132	PAD-ASSY-BRAKE		1	1		
49006	49006-1088	BOOT,CALIPER		1	1		
49006A	49006-1242	BOOT,CALIPER		1	1		
92144	92144-1721	SPRING,PAD		1	1		
92150	92150-1691	BOLT,HANGER		1	1		
92151	92151-1799	BOLT,DISC PLATE,6MM		4	4		
120	120CA0840	BOLT-SOCKET,8X40		2	2		

This catalog covers:

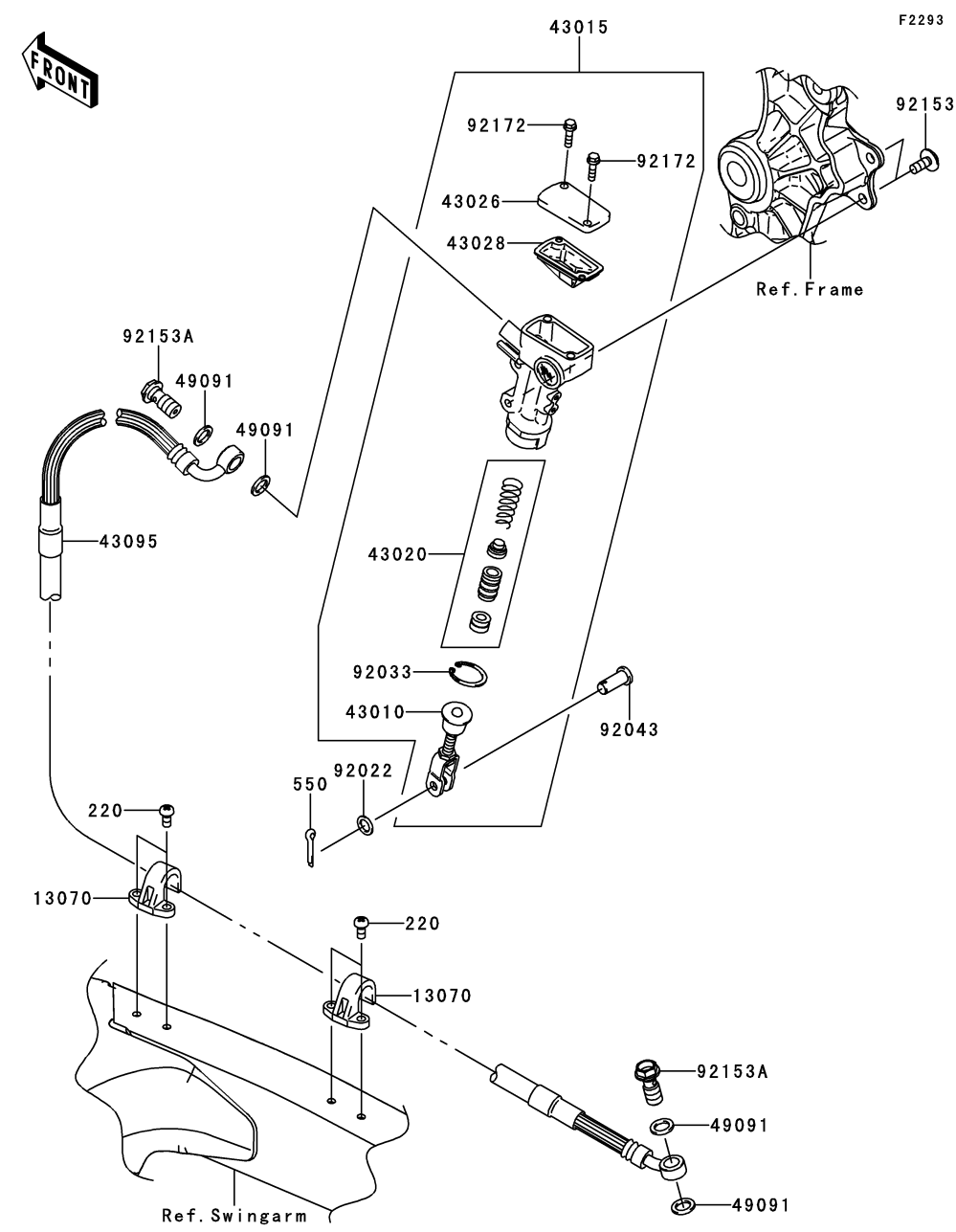
'13~'14 KX250 ZDF/ZEF Chassis

GRID NO.

F-7

This grid covers:

Rear Master Cylinder



Ref. No.	Part No.	Description	Spec Code	Quantity-KX250			
				'13	'14		
				ZDF	ZEF		
13070	13070-0048	GUIDE,BRAKE HOSE	2	2			
43010	43010-1087	ROD-ASSY-BRAKE	1	1			
43015	43015-0168	CYLINDER-ASSY-MASTER	1	1			
43020	43020-1094	PISTON-COMP-BRAKE	1	1			
43026	43026-0023	CAP-BRAKE	1	1			
43028	43028-1092	DIAPHRAGM	1	1			
43095	43095-0617	HOSE-BRAKE,L=555	1	1			
49091	49091-0001	WASHER-SEAL,10.1X14.5X1.5	4	4			
92022	92022-1028	WASHER,8.5X13X1	1	1			
92033	92033-0079	RING-SNAP,20.9X24.6X1.2	1	1			
92043	92043-0004	PIN	1	1			
92153	92153-1021	BOLT,SOCKET,6X14	2	2			
92153A	92153-1419	BOLT,OIL,L=23	2	2			
92172	92172-1064	SCREW	2	2			
220	220AA0510	SCREW-PAN-CROS,5X10	4	4			
550	550AA2015	PIN-COTTER,2.0X15	1	1			

This catalog covers:

'13~'14 KX250 ZDF/ZEF Chassis

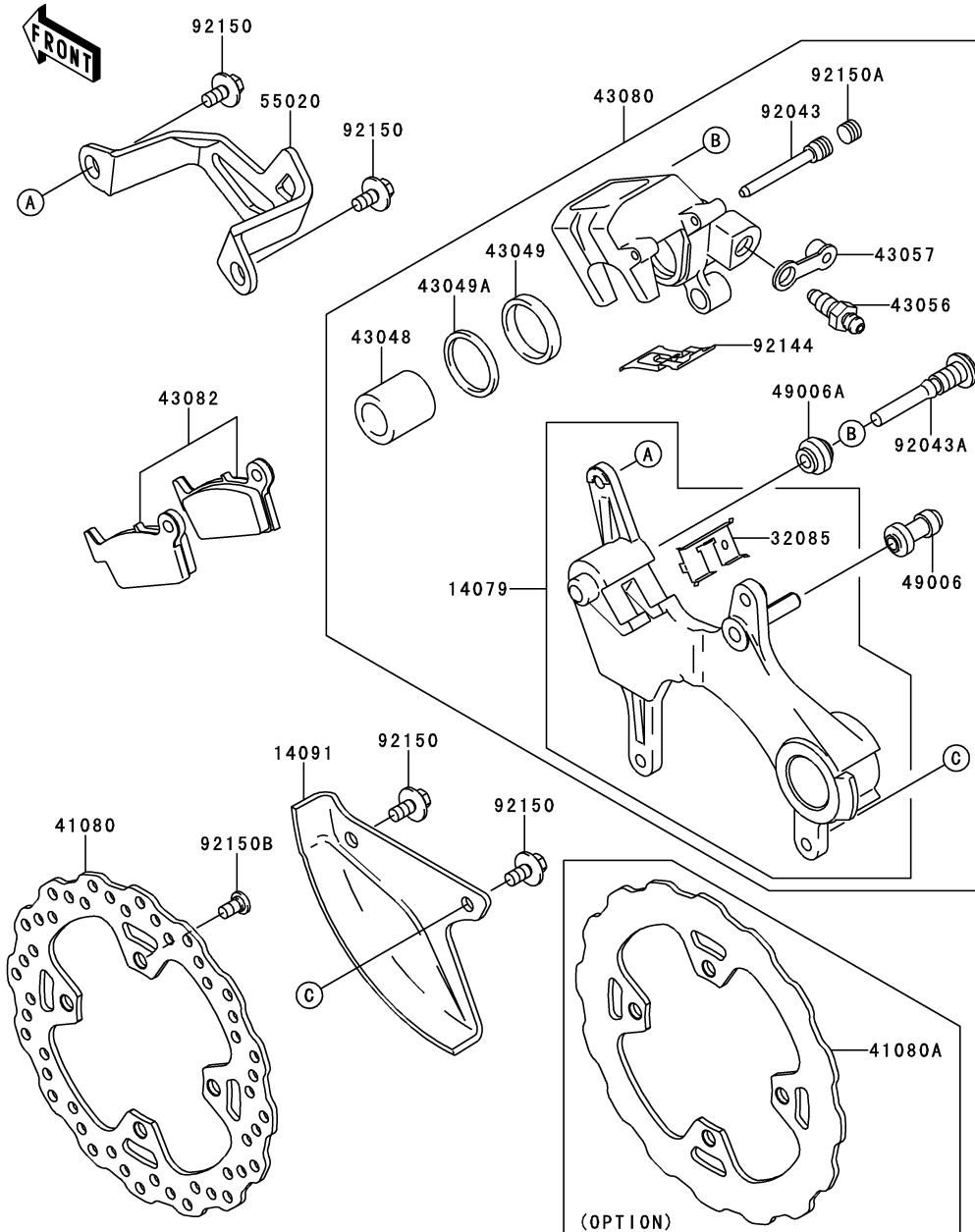
GRID NO.

F-8

This grid covers:

Rear Brake

F2294

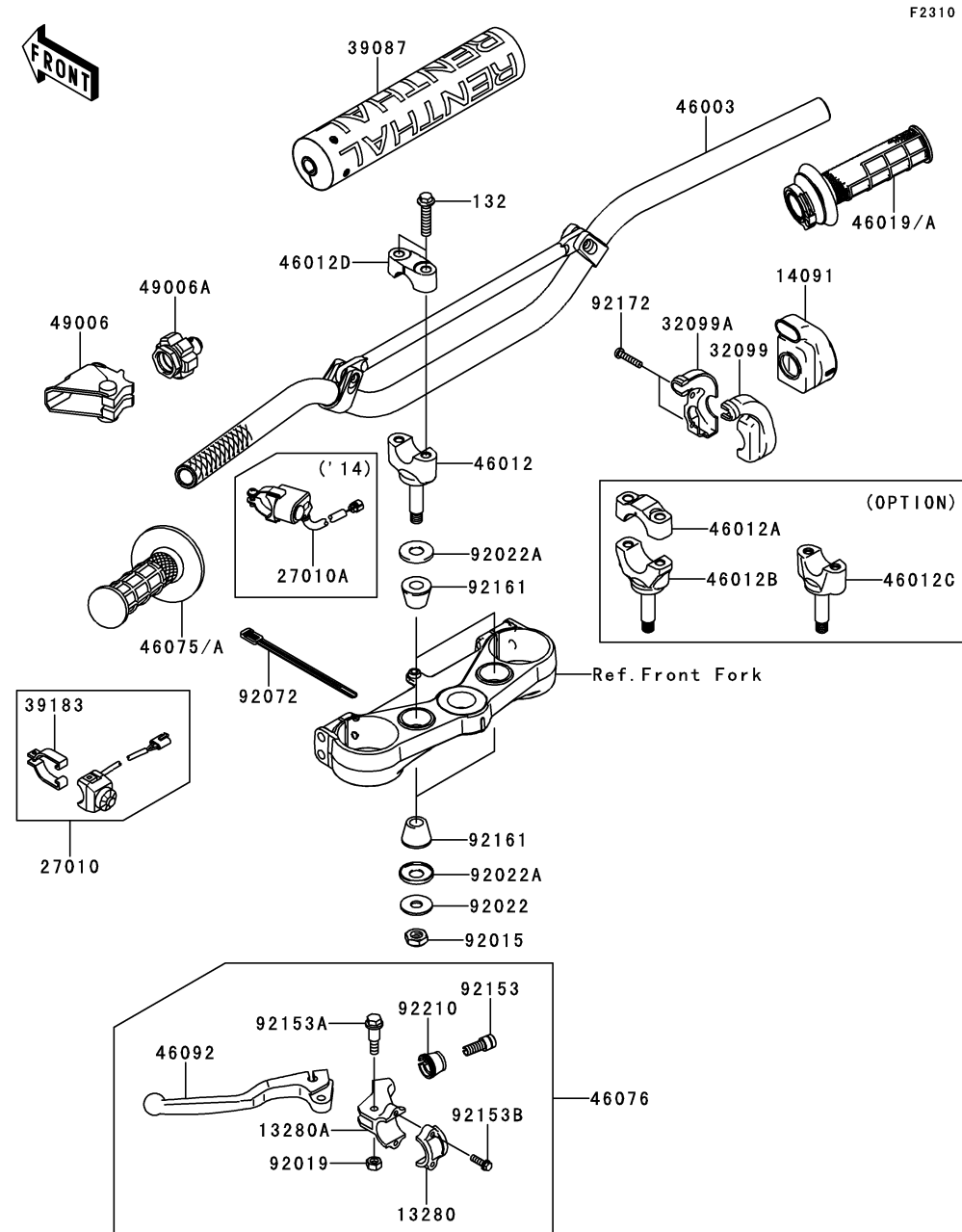


Ref. No.	Part No.	Description	Spec Code	Quantity-KX250			
				'13	'14	ZDF	ZEF
14079	14079-0022	HOLDER-ASSY,REAR CALIPER					
14091	14091-1523-6C	COVER,REAR DISC,EBONY					
32085	32085-1386	STOPPER,PAD					
41080	41080-0076	DISC,RR					
41080A	41080-0094	DISC,RR (OPTION)					
43048	43048-1066	PISTON-CALIPER					
43049	43049-1063	PACKING					
43049A	43049-1064	PACKING					
43056	43056-1055	BREATHER					
43057	43057-1001	CAP-BREATHER					
43080	43080-0037	CALIPER-SUB-ASSY,RR					
43082	43082-0107	PAD-ASSY-BRAKE					
49006	49006-1088	BOOT,CALIPER					
49006A	49006-1242	BOOT,CALIPER					
55020	55020-0458-6C	GUARD,REAR CALIPER,EBONY					
92043	92043-1507	PIN,HANGER					
92043A	92043-1508	PIN					
92144	92144-1819	SPRING,PAD					
92150	92150-1340	BOLT,6X14					
92150A	92150-1692	BOLT,PLUG					
92150B	92150-1811	BOLT,DISC PLATE,8X15					

'13~'14 KX250 ZDF/ZEF Chassis

F-9

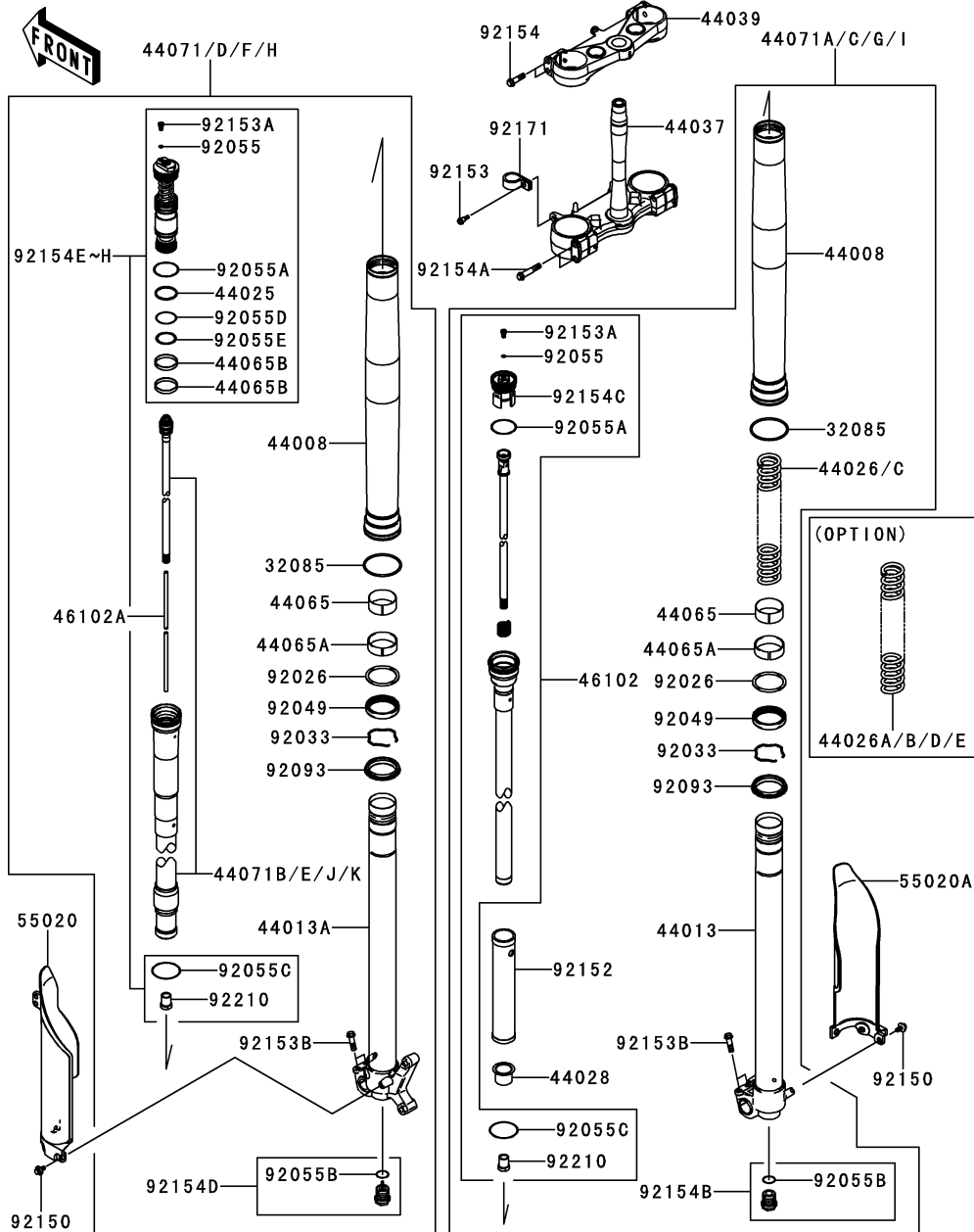
Handlebar



F2310

Ref. No.	Part No.	Description	Spec Code	Quantity-KX250			
				'13	'14		
				ZDF	ZEF		
13280	13280-0055	HOLDER	1	1			
13280A	13280-0118	HOLDER,CLUTCH LEVER	1	1			
14091	14091-0182	COVER,THROTTLE CASE	1	1			
27010	27010-0047	SWITCH,ENGINE STOP	1	1			
27010A	27010-0725	SWITCH	1	1			
32099	32099-0002	CASE,THROTTLE,RR	1	1			
32099A	32099-0003	CASE,THROTTLE,FR	1	1			
39087	39087-0004	PAD-HANDLE	1	1			
39183	39183-1059	BAND-ASSY,ENGINE STOP SWITCH	1	1			
46003	46003-0572	HANDLE,RENTHAL,K971	1	1			
46012	46012-0013-21	HOLDER-HANDLE,LWR,F.BLACK	2	2			
46012A	46012-0020-21 (OPTION)	HOLDER-HANDLE,UPP,FAT BAR,BLK	2	2			
46012B	46012-0021-21 (OPTION)	HOLDER-HANDLE,LWR,FAT BAR,BLK	2	2			
46012C	46012-0048-21 (OPTION)	HOLDER-HANDLE,LWR,F.BLACK	2	2			
46012D	46012-0324-21	HOLDER-HANDLE,UPP,F.BLACK	2	2			
46019	46019-0037	GRIP-ASSY,THROTTLE	1				
46019A	46019-0041	GRIP-ASSY,THROTTLE		1			
46075	46075-0072	GRIP,LH		1			
46075A	46075-0082	GRIP,LH	1				
46076	46076-0019	LEVER-ASSY-GRIP,CLUTCH	1	1			
46092	46092-0007	LEVER-GRIP,CLUTCH	1	1			
49006	49006-0030	BOOT,CLUTCH LEVER	1	1			
49006A	49006-0060	BOOT,CLUTCH CABLE	1	1			
92015	92015-1962	NUT,LOCK,10MM	2	2			
92019	92019-008	NUT,LOCK,6MM	1	1			
92022	92022-1088	WASHER,10.2X28X2	2	2			
92022A	92022-1737	WASHER	4	4			
92072	92072-1293	BAND,L=140	1	1			
92153	92153-0773	BOLT,BOLT ADJUSTING	1	1			
92153A	92153-0807	BOLT	1	1			
92153B	92153-0808	BOLT,5X16	2	2			
92161	92161-0113	DAMPER,HANDLE HOLDER	4	4			
92172	92172-0069	SCREW,5X20	2	2			
92210	92210-0167	NUT,BOLT WIRE ADJUSTING	1	1			
132	132BA0835	BOLT-FLANGED-SMALL,8X35	4	4			

F2340

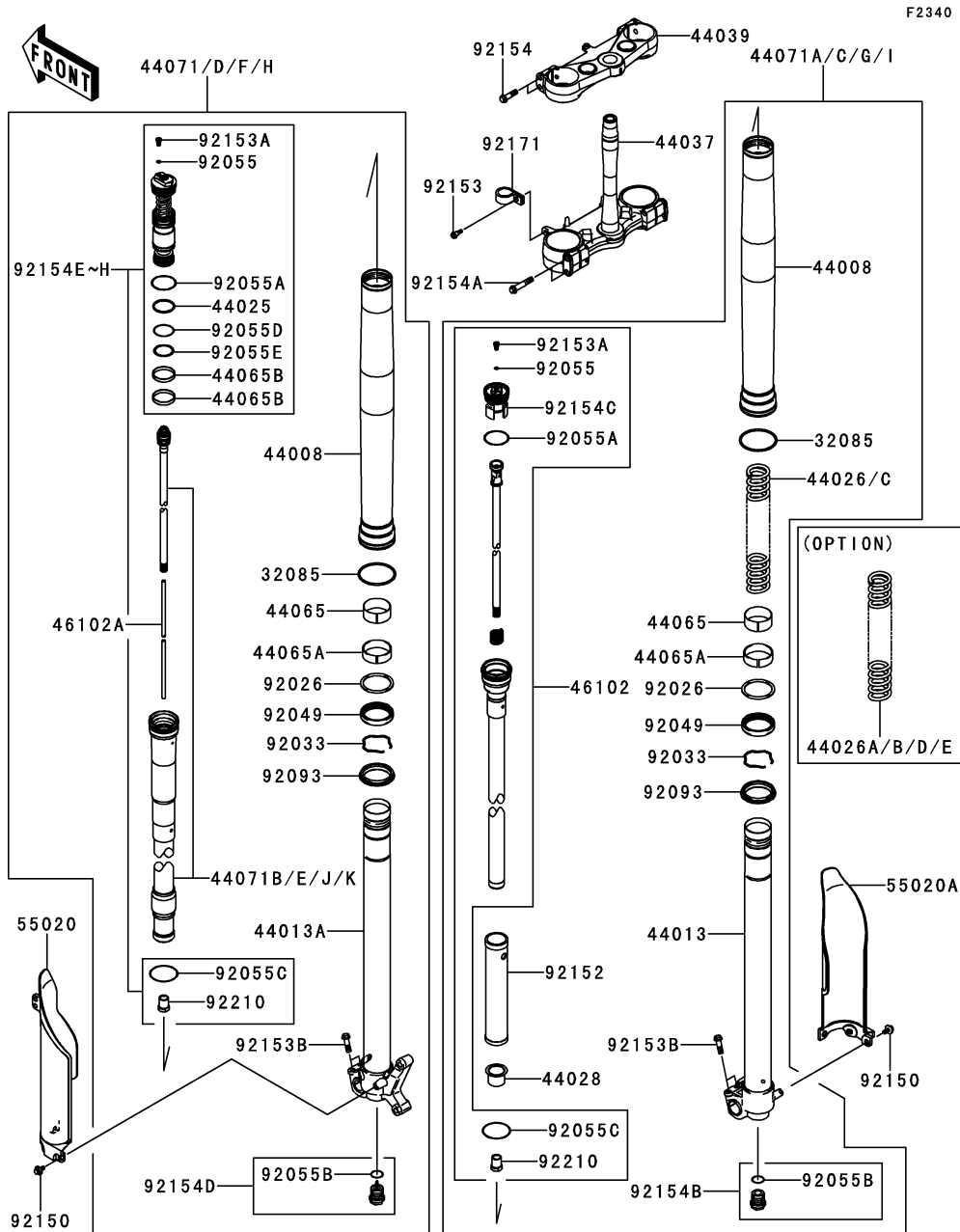


Ref. No.	Part No.	Description	Spec Code	Quantity-KX250			
				'13	'14		
				ZDF	ZEF		
32085	32085-0711	STOPPER	2	2			
44008	44008-0059	PIPE-FORK OUTER	2	2			
44013	44013-0202	PIPE-FORK INNER,RH	1	1			
44013A	44013-0204	PIPE-FORK INNER,LH	1	1			
44025	44025-0052	RING-FORK PISTON	1	1			
44026	44026-0168	SPRING-FRONT FORK	1				
44026A	44026-0175	SPRING-FRONT FORK,K=9.0N/MM (OPTION)	1				
44026B	44026-0176	SPRING-FRONT FORK,K=9.8N/MM (OPTION)	1				
44026C	44026-0181	SPRING-FRONT FORK		1			
44026D	44026-0182	SPRING-FRONT FORK,K=9.2N/MM (OPTION)		1			
44026E	44026-0183	SPRING-FRONT FORK,K=10.0N/MM (OPTION)		1			
44028	44028-0055	GUIDE-FORK SPRING	1	1			
44037	44037-0133-21	HOLDER-FORK UNDER,F.BLACK	1	1			
44039	44039-0122-21	HOLDER-FORK UPPER,F.BLACK	1	1			
44065	44065-0059	BUSHING-FRONT FORK,SLIDE	2	2			
44065A	44065-0060	BUSHING-FRONT FORK,GUIDE	2	2			
44065B	44065-0061	BUSHING-FRONT FORK	2	2			
44071	44071-0828	DAMPER-ASSY,FORK,LH			AS	1	
44071A	44071-0829	DAMPER-ASSY,FORK,RH			AS	1	
44071B	44071-0840	DAMPER-ASSY,COMP			AS	1	
44071C	44071-0864	DAMPER-ASSY,FORK,RH			EU	1	
44071D	44071-0865	DAMPER-ASSY,FORK,LH			EU	1	
44071E	44071-0866	DAMPER-ASSY,COMP			EU	1	
44071F	44071-0884	DAMPER-ASSY,FORK,LH			AS	1	
44071G	44071-0885	DAMPER-ASSY,FORK,RH			AS	1	
44071H	44071-0886	DAMPER-ASSY,FORK,LH			EU	1	

'13~'14 KX250 ZDF/ZEF Chassis

F-11

Front Fork(2/2)



Ref. No.	Part No.	Description	Spec Code	Quantity-KX250			
				'13	'14		
				ZDF	ZEF		
44071I	44071-0887	DAMPER-ASSY,FORK,RH					
		L-----	EU			1	
44071J	44071-0917	DAMPER-ASSY,COMP					
		L-----	AS			1	
44071K	44071-0918	DAMPER-ASSY,COMP					
		L-----	EU			1	
46102	46102-0578	ROD,JOINT			1	1	
46102A	46102-0579	ROD,PUSH			1	1	
55020	55020-0441-6C	GUARD,FORK,LH,EBONY			1	1	
55020A	55020-0442-6C	GUARD,FORK,RH,EBONY			1	1	
92026	92026-0737	SPACER,SEAL			2	2	
92033	92033-0720	RING-SNAP			2	2	
92049	92049-0735	SEAL-OIL			2	2	
92055	92055-0094	RING-O			2	2	
92055A	92055-0131	RING-O			2	2	
92055B	92055-0743	RING-O			2	2	
92055C	92055-0744	RING-O			2	2	
92055D	92055-0745	RING-O			1	1	
92055E	92055-0746	RING-O			1	1	
92093	92093-0584	SEAL,DUST			2	2	
92150	92150-1340	BOLT,6X14			6	6	
92152	92152-1652	COLLAR			1	1	
92153	92153-1397	BOLT,FLANGED			1	1	
92153A	92153-1398	BOLT,PLUG			2	2	
92153B	92153-1399	BOLT,FLANGED,8X40			4	4	
92154	92154-0463	BOLT			4	4	
92154A	92154-0464	BOLT			4	4	
92154B	92154-1057	BOLT,CENTER,RH			1	1	
92154C	92154-1058	BOLT,ADJ. COMP			1	1	
92154D	92154-1059	BOLT,CENTER,LH			1	1	
92154E	92154-1060	BOLT,FORK					
		L-----	AS			1	
92154F	92154-1128	BOLT,FORK					
		L-----	EU			1	
92154G	92154-1314	BOLT,FORK					
		L-----	AS			1	
92154H	92154-1315	BOLT,FORK					
		L-----	EU			1	
92171	92171-0506	CLAMP,BRAKE HOSE			1	1	
92210	92210-0430	NUT,LOCK			2	2	

This catalog covers:

'13~'14 KX250 ZDF/ZEF Chassis

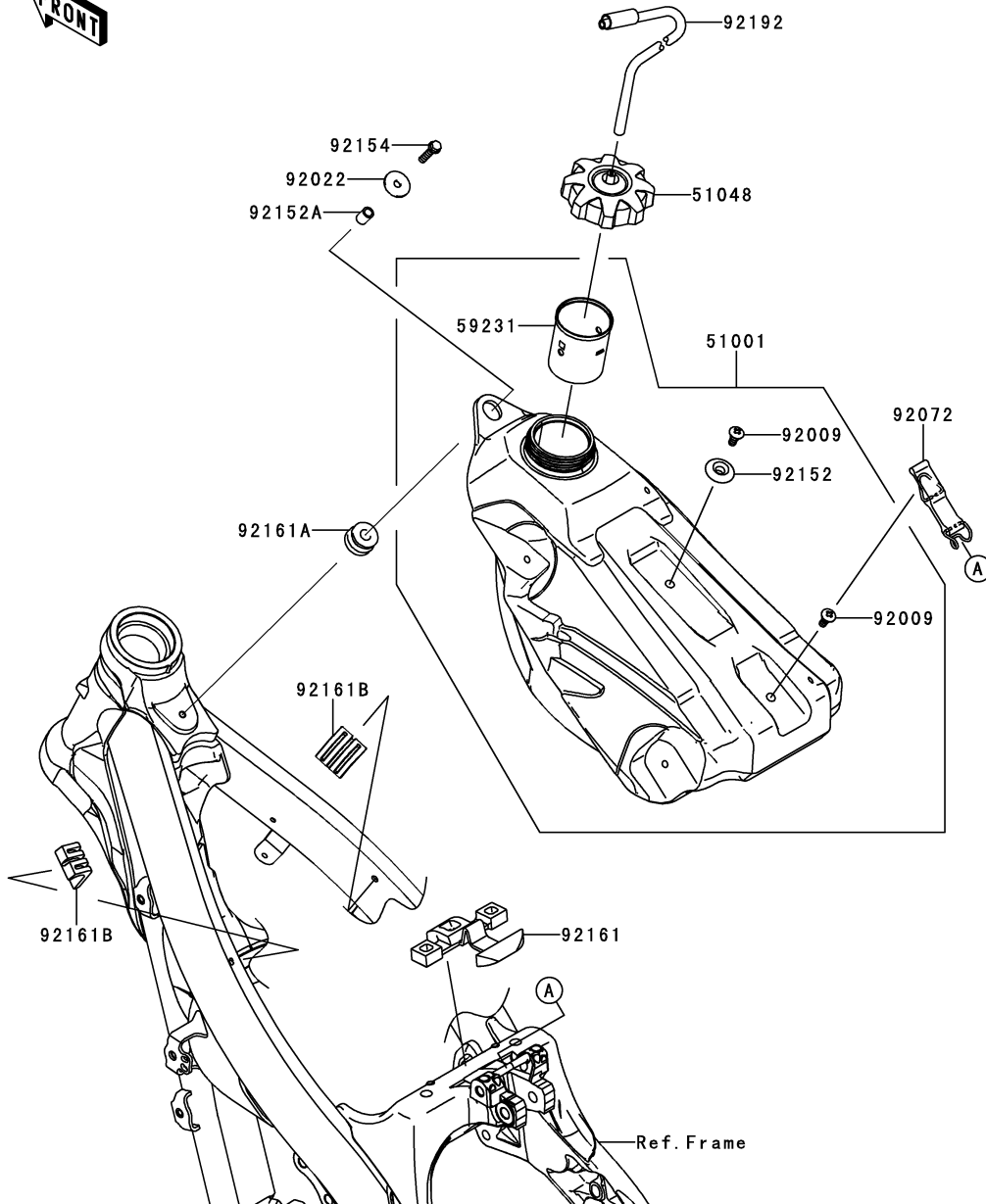
GRID NO.

F-12

This grid covers:

Fuel Tank

F2410



Ref. No.	Part No.	Description	Spec Code	Quantity-KX250			
				'13	'14	ZDF	ZEF
51001	51001-0735	TANK-COMP-FUEL		1	1		
51048	51048-0031	CAP-ASSY-TANK,FUEL		1	1		
59231	59231-0042	FILLER		1	1		
92009	92009-1971	SCREW,6MM		2	2		
92022	92022-1690	WASHER,6.5X24X2		1	1		
92072	92072-0045	BAND,FUEL TANK		1	1		
92152	92152-0569	COLLAR		1	1		
92152A	92152-1552	COLLAR,6.8X10X16		1	1		
92154	92154-0520	BOLT,FLANGED,6X25		1	1		
92161	92161-1377	DAMPER,FUEL TANK,RR		1	1		
92161A	92161-1392	DAMPER,FUEL TANK,FR		1	1		
92161B	92161-1393	DAMPER,FUEL TANK,SIDE		2	2		
92192	92192-0161	TUBE		1	1		

This catalog covers:

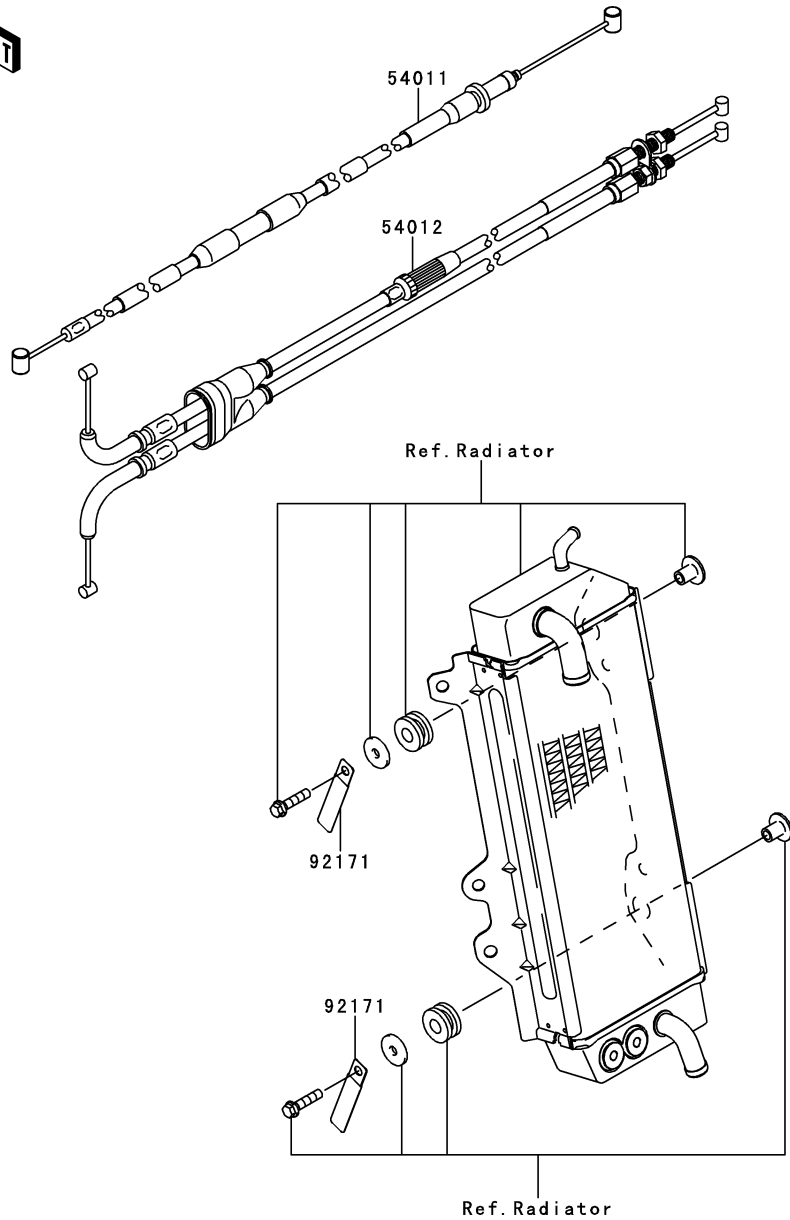
'13~'14 KX250 ZDF/ZEF Chassis

GRID NO.

F-13

This grid covers:

Cables



F2540

Ref. No.	Part No.	Description	Spec Code	Quantity-KX250			
				'13	'14		
				ZDF	ZEF		
54011	54011-0569	CABLE-CLUTCH	1	1			
54012	54012-0591	CABLE-THROTTLE	1	1			
92171	92171-0652	CLAMP	2	2			

This catalog covers:

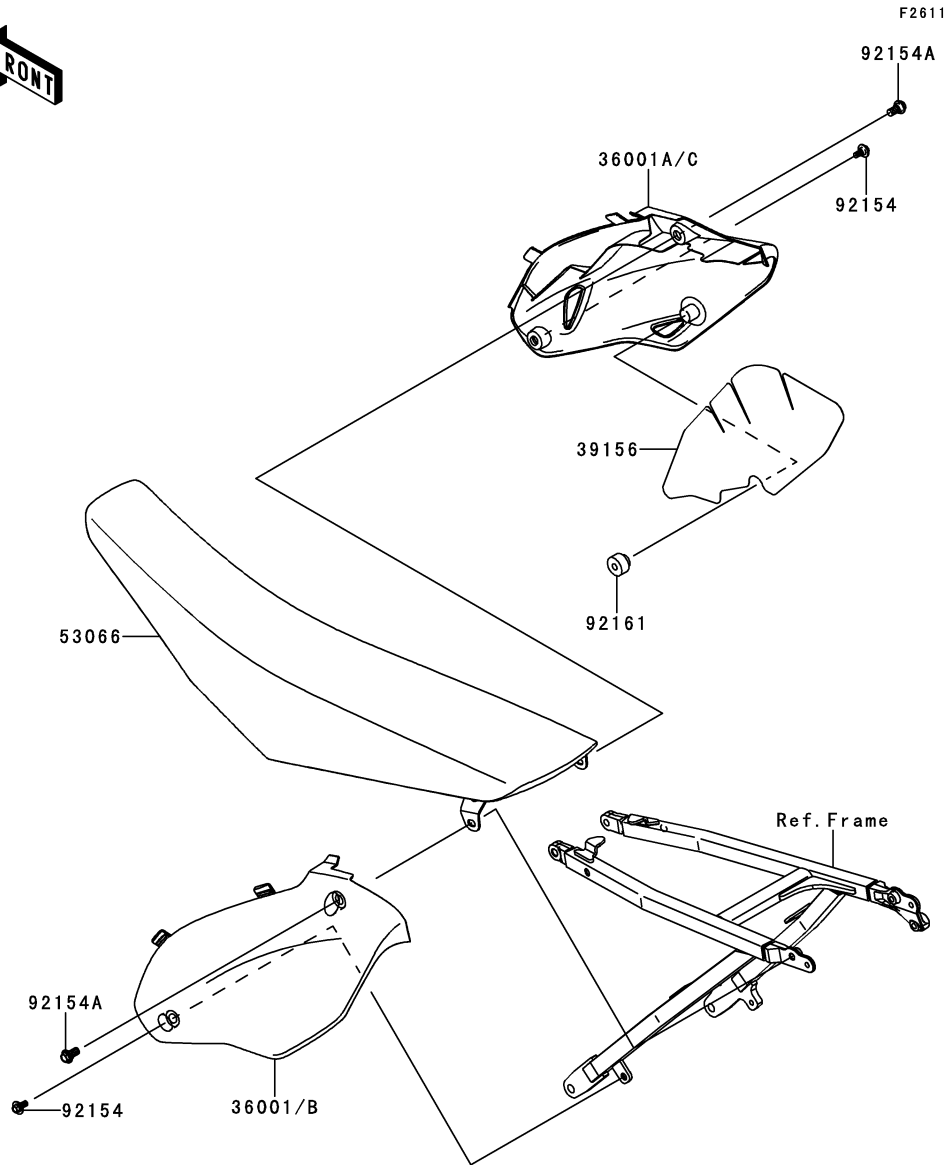
'13~'14 KX250 ZDF/ZEF Chassis

GRID NO.

F-14

This grid covers:

Side Covers



Ref. No.	Part No.	Description	Spec Code	Quantity-KX250			
				'13	'14		
				ZDF	ZEF		
36001	36001-0220-6C	COVER-SIDE,LH,EBONY					1
36001A	36001-0222-6C	COVER-SIDE,RH,EBONY					1
36001B	36001-0598-266	COVER-SIDE,LH,B.WHITE					1
36001C	36001-0600-266	COVER-SIDE,RH,B.WHITE					1
39156	39156-0677	PAD,SIDE COVER,RH					1 1
53066	53066-0357-336	SEAT-ASSY,GREEN/BLACK					1 1
92154	92154-0546	BOLT,FLANGED,6X9					2 2
92154A	92154-0547	BOLT,FLANGED,8X16					2 2
92161	92161-0073	DAMPER					1 1

This catalog covers:

'13~'14 KX250 ZDF/ZEF Chassis

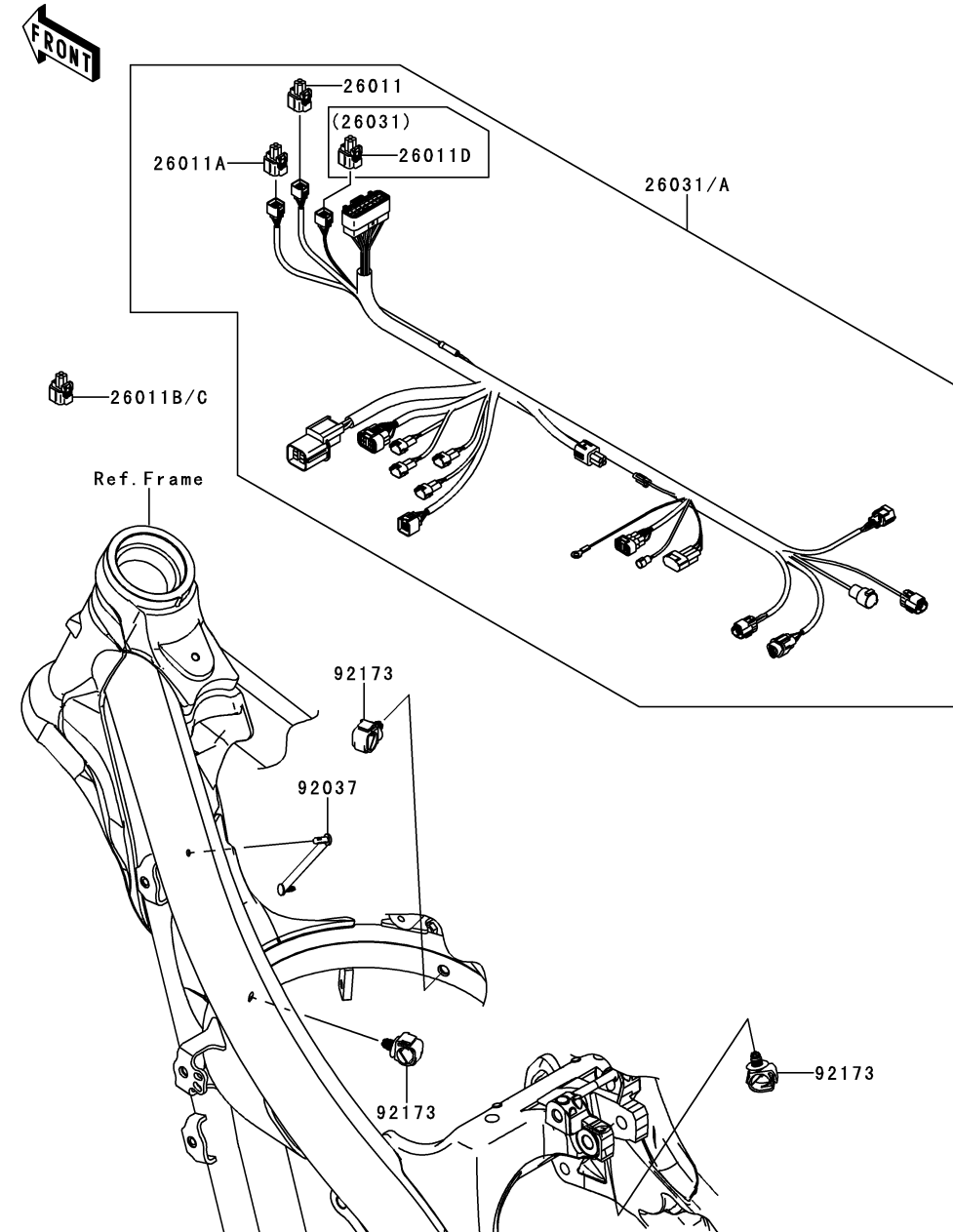
GRID NO.

G-3

This grid covers:

Chassis Electrical Equipment

F2760



Ref. No.	Part No.	Description	Spec Code	Quantity-KX250			
				'13	'14		
				ZDF	ZEF		
26011	26011-0273	WIRE-LEAD,NATURAL	1	1			
26011A	26011-0727	WIRE-LEAD,GREEN	1	1			
26011B	26011-0728	WIRE-LEAD,MODE SELECT,BLACK	1	1			
26011C	26011-0748	WIRE-LEAD,MODE SELECT,WHITE	1	1			
26011D	26011-0793	WIRE-LEAD,BLACK	1				
26031	26031-1299	HARNESS,MAIN	1				
26031A	26031-1558	HARNESS,MAIN		1			
92037	92037-1903	CLAMP,SPEED,L=80.5	1	1			
92173	92173-0861	CLAMP	3	3			

This catalog covers:

'13~'14 KX250 ZDF/ZEF Chassis

GRID NO.

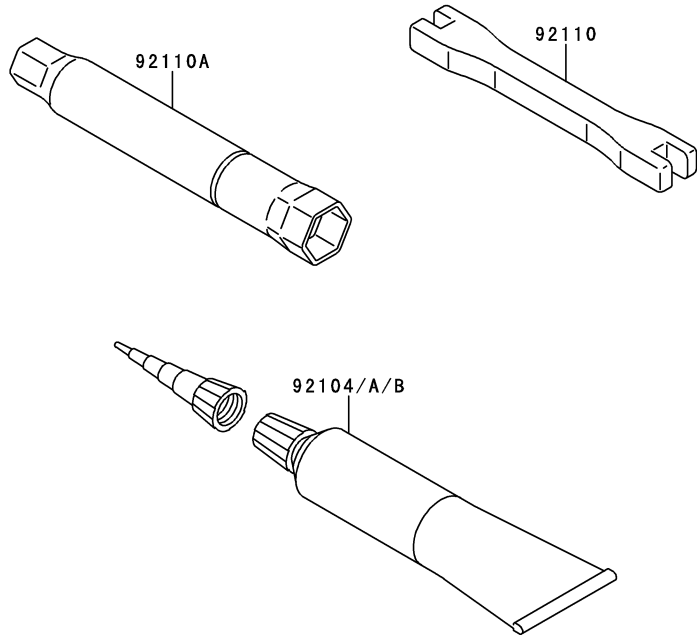
G-4

This grid covers:

Owner's Tools

F2810

Ref. No.	Part No.	Description	Spec Code	Quantity-KX250			
				'13	'14		
				ZDF	ZEF		
92104	92104-0004	GASKET-LIQUID,TB1211F,CLEAR		1	1		
92104A	92104-1063	GASKET-LIQUID,TB1216,GRAY		1	1		
92104B	92104-1064	GASKET-LIQUID,TB1216B,BLACK		1	1		
92110	92110-0004	TOOL-WRENCH,NIPPLE,6X8		1	1		
92110A	92110-0005	TOOL-WRENCH,BOX,16MM		1	1		



This catalog covers:

'13~'14 KX250 ZDF/ZEF Chassis

GRID NO.

G-5

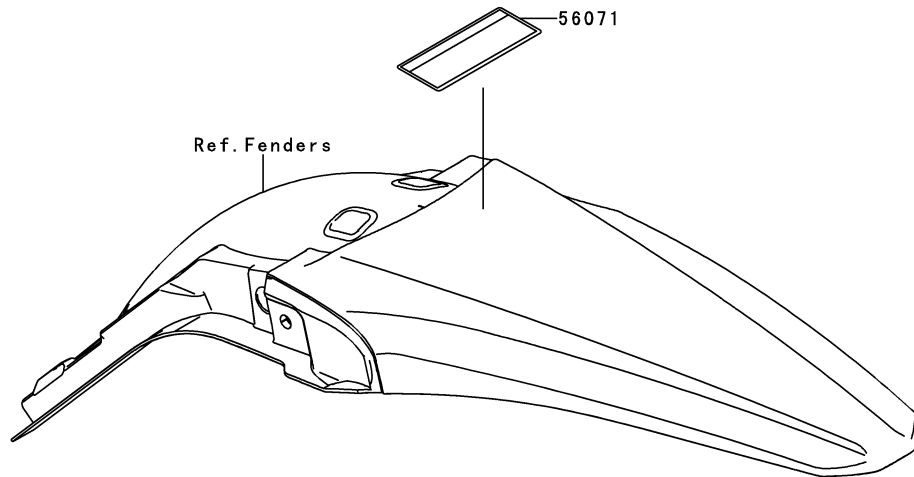
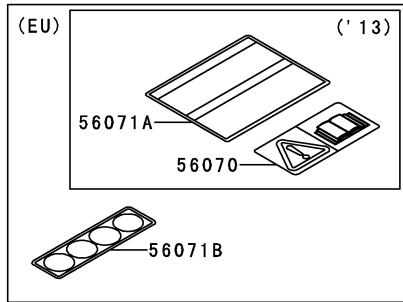
This grid covers:

Labels



F2860

Ref. No.	Part No.	Description	Spec Code	Quantity-KX250			
				'13	'14		
				ZDF	ZEF		
56070	56070-3799	LABEL-WARNING,OWNER'S MANUAL					
		L-----	EU	1			
56071	56071-0028	LABEL-WARNING,IMPORTANT NOTICE					
		L-----	AS	1	1		
56071A	56071-0029	LABEL-WARNING,IMPORTANT NOTICE					
		L-----	EU	1			
56071B	56071-0416	LABEL-WARNING,RACE ONLY					
		L-----	EU	1			



This catalog covers:

'13~'14 KX250 ZDF/ZEF Chassis

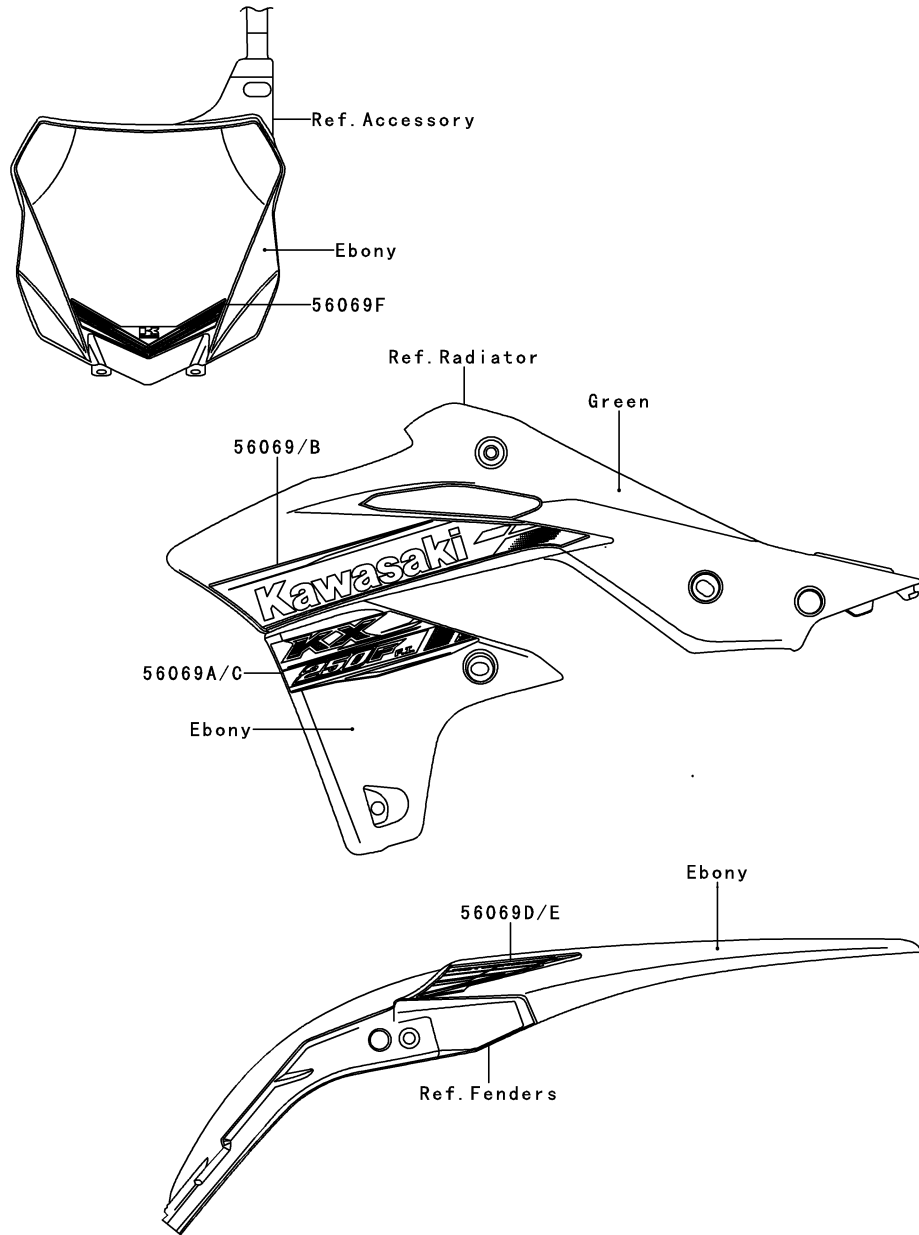
GRID NO.

G-6

This grid covers:

Decals(ZDF)

F2861



Ref. No.	Part No.	Description	Spec Code	Quantity-KX250			
				'13	'14	ZDF	ZEF
56069	56069-2431	PATTERN,SHROUD,UPP,LH					1
56069A	56069-2432	PATTERN,SHROUD,LWR,LH					1
56069B	56069-2433	PATTERN,SHROUD,UPP,RH					1
56069C	56069-2434	PATTERN,SHROUD,LWR,RH					1
56069D	56069-2435	PATTERN,RR FENDER,LH					1
56069E	56069-2436	PATTERN,RR FENDER,RH					1
56069F	56069-2437	PATTERN,NUMBER PLATE					1

This catalog covers:

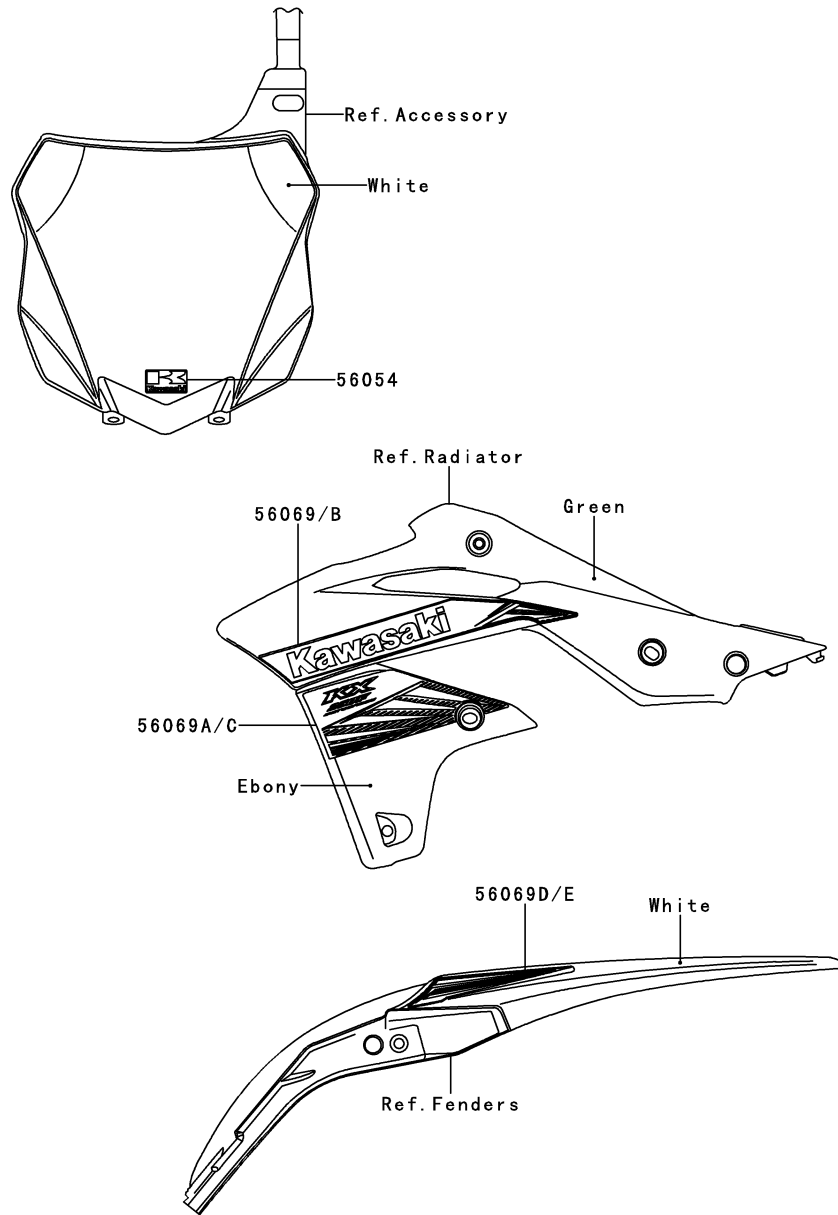
'13~'14 KX250 ZDF/ZEF Chassis

GRID NO.

G-7

This grid covers:

Decals(ZEF)



F2861A

Ref. No.	Part No.	Description	Spec Code	Quantity-KX250			
				'13	'14		
				ZDF	ZEF		
56054	56054-1282	MARK,NUMBER PLATE					1
56069	56069-4006	PATTERN,SHROUD,UPP,LH					1
56069A	56069-4007	PATTERN,SHROUD,LWR,LH					1
56069B	56069-4008	PATTERN,SHROUD,UPP,RH					1
56069C	56069-4009	PATTERN,SHROUD,LWR,RH					1
56069D	56069-4010	PATTERN,RR FENDER,LH					1
56069E	56069-4011	PATTERN,RR FENDER,RH					1

This catalog covers:

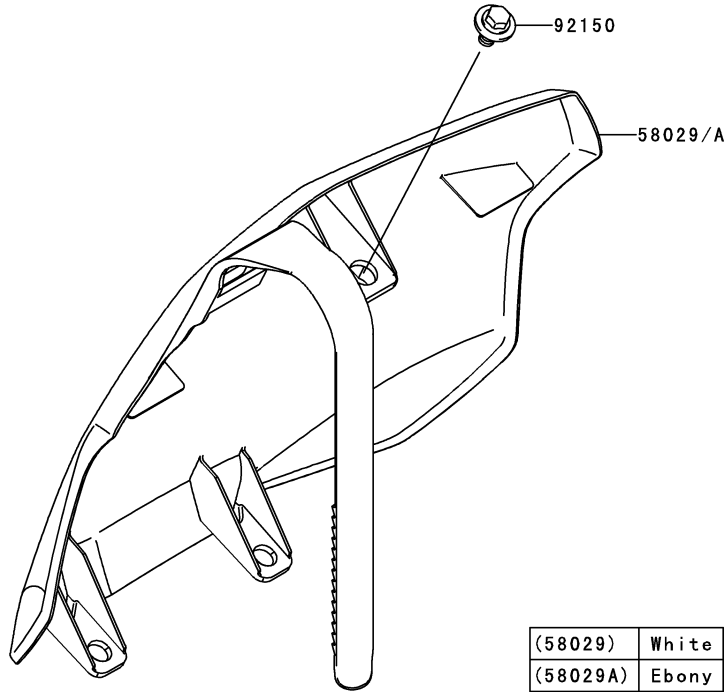
'13~'14 KX250 ZDF/ZEF Chassis

GRID NO.

G-8

This grid covers:

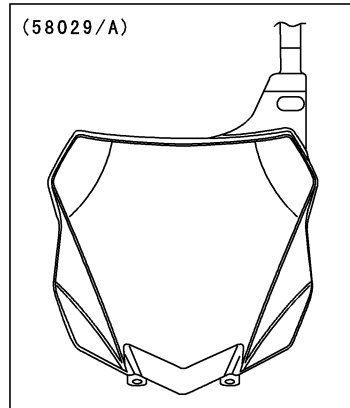
Accessory



F2910

Ref. No.	Part No.	Description	Spec Code	Quantity-KX250			
				'13	'14		
				ZDF	ZEF		
58029	58029-0056-266	PLATE-NUMBER,B.WHITE		1			
58029A	58029-0056-6C	PLATE-NUMBER,EBONY		1			
92150	92150-1435	BOLT,6X12		1	1		

(58029)	White
(58029A)	Ebony



W0D

This catalog covers:

'13~'14 KX250 ZDF/ZEF Chassis

GRID NO.

G-9

This grid covers:

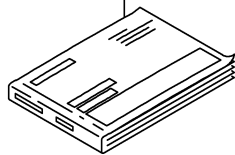
Manual(EU)

F2920

Ref. No.	Part No.	Description	Spec Code	Quantity-KX250			
				'13	'14		
				ZDF	ZEF		
99901	99901-0036-02	SERVICE MANUAL,DUTCH					
		L-----	EU	1	1		
99924	99924-1459-02	SERVICE MANUAL,ENGLISH					
		L-----	EU	1	1		
99953	99953-1076-02	SERVICE MANUAL,GERMAN					
		L-----	EU	1	1		
99954	99954-1090-02	SERVICE MANUAL,FRENCH					
		L-----	EU	1	1		
99955	99955-1063-02	SERVICE MANUAL,ITALIAN					
		L-----	EU	1	1		
99956	99956-1051-02	SERVICE MANUAL,SPANISH					
		L-----	EU	1	1		
99976	99976-1716	OWNER'S MANUAL,EN/FR/DE					
		L-----	EU	1			
99976A	99976-1717	OWNER'S MANUAL,IT/ES/NL					
		L-----	EU	1			
99976B	99976-1778	OWNER'S MANUAL,EN/FR/DE					
		L-----	EU		1		
99976C	99976-1779	OWNER'S MANUAL,IT/ES/NL					
		L-----	EU		1		

Owner's Manual
(Local Procurement)

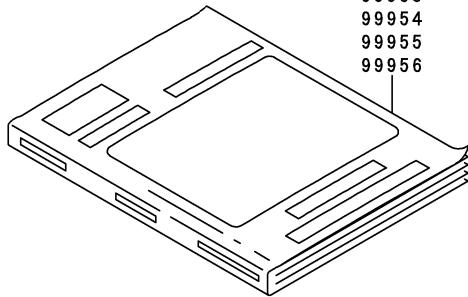
99976/A~C



Ref. No.	Language
(99976/B)	English
	French
	German
(99976A/C)	Italian
	Spanish
	Dutch

Service Manual

99901
99924
99953
99954
99955
99956



Ref. No.	Language
(99901)	Dutch
(99924)	English
(99953)	German
(99954)	French
(99955)	Italian
(99956)	Spanish

This catalog covers:

'13~'14 KX250 ZDF/ZEF

GRID NO.

L-13

This grid covers:

Numerical Parts Index

Part No.	Grid No.	Part No.	Grid No.	Part No.	Grid No.	Part No.	Grid No.	Part No.	Grid No.	Part No.	Grid No.
11004-0079	B-3	13035-0022	B-11	13262-0776	B-14	14013-0001	B-10	220AA0510	F-7	39007-0361	E-7
11005-0613	B-5	13037-0155	B-11	13262-0839	B-14	14013-0002	B-10	225AA0510	C-6	39061-0168	D-3
11008-0750	B-3	13037-0732	B-11	13262-0839	C-3	14026-0090	C-7	26011-0246	C-10	39061-0190	D-3
11011-0757-6C	B-6	13061-0357	B-12	13262-0840	B-14	14031-0569	C-7	26011-0273	G-3	39062-0258	D-3
11013-0722	B-6	13064-0067	B-12	13262-0841	B-14	14032-0136	C-7	26011-0727	G-3	39062-0292	D-3
11055-1540	E-5	13066-0004	B-12	13262-0842	B-14	14032-0567	C-7	26011-0728	G-3	39062-0293	D-3
11055-1541	E-5	13070-0011	B-12	13262-0930	C-3	14037-0744-6C	D-3	26011-0748	G-3	39062-0294	D-3
11056-0070	E-5	13070-0048	F-7	13262-0931	C-3	14037-0745-6C	D-3	26011-0793	G-3	39062-0295	D-3
11056-0624	E-5	13070-0057	F-3	13262-0932	C-3	14073-0756	B-6	26031-1299	G-3	39062-1348	D-3
11056-0961	E-5	13078-0029	C-5	13262-0933	C-3	14079-0022	F-8	26031-1558	G-3	39087-0004	F-9
11056-1513	C-12	13078-0559	B-12	13262-0934	C-3	14079-0043	F-6	27010-0047	F-9	39111-0309	E-7
11056-1657	E-5	13087-0017	B-13	13262-0935	C-3	14091-0182	F-9	27010-0725	C-10	39115-0007	C-11
11061-0027	B-7	13088-0018	B-13	13262-0936	C-3	14091-1523-6C	F-8	27010-0725	F-9	39115-0565	B-12
11061-0350	B-4	13089-0005	B-13	13262-0937	C-3	14091-1629	B-4	290CA0808	B-12	39156-0677	F-14
11061-0357	B-5	13095-0121	B-13	13271-0730	B-6	14091-1815	C-8	31064-0607	B-7	39183-1059	F-9
11061-0361	C-7	13097-0117	B-11	13271-0808	B-10	16007-0002	B-8	311BA0600	C-5	39192-0037	C-14
11061-0362	C-7	130BA0512	B-6	13271-0858	F-3	16007-0029	B-8	32054-0049	E-8	41009-0531	E-11
11061-0434	B-7	130CD0514	C-14	13272-0438	C-5	16016-0025	C-8	32054-0050	E-8	41009-0532	E-11
11061-0778	C-7	13102-0034	B-13	13272-0488	C-6	16065-0074	B-3	32085-0011	C-6	41022-0022	E-11
11065-0087	C-14	13107-0196	C-14	13272-0670	C-6	16073-0129	C-8	32085-0077	F-3	41022-1129	E-11
11065-0340	F-3	13116-0037	B-13	13272-1169	E-6	16073-3707	C-8	32085-0711	F-10	41023-1009	E-11
11065-0786	E-12	13116-0043	F-5	13280-0055	F-9	16142-0003	C-11	32085-1361	F-6	41023-1081	E-11
11065-1253	E-13	13127-0064	B-14	13280-0118	F-9	16142-0020	C-14	32085-1386	F-8	41024-010	E-11
12004-0033	B-8	13127-0064	C-3	13280-0170	B-6	16154-0090	C-11	32099-0002	F-9	41024-011	E-11
12005-0002	B-8	13128-0046	B-14	13280-0339	B-13	16154-0093	C-11	32099-0003	F-9	41025-0146-WC	E-11
12009-0010	B-8	13128-0669	C-3	13280-0751	B-6	16163-0767	C-8	32099-0051	C-11	41025-0147-WC	E-11
12009-1073	B-8	13140-0056	C-4	132BA0608	C-14	16163-0797	C-8	32155-0112	C-8	41025-0339-WC	E-11
12011-1053	B-8	13140-0057	C-4	132BA0610	C-12	172BA0612	C-5	32160-0543	E-3	41025-0344-WC	E-11
12022-0006	C-6	13141-0570	C-4	132BA0610	E-5	18046-0231	B-7	32160-0628	E-3	41029-0003	E-11
12032-0005	B-8	13141-0575	C-4	132BA0610	E-6	18046-0579	B-7	32160-0706	E-3	41029-1204	E-11
12032-0006	B-8	13144-0036	B-14	132BA0612	B-10	18088-0831	B-7	32190-0461	E-4	41029-1330	E-11
12048-0056	B-10	13144-0036	C-3	132BA0612	C-14	18100-0559	B-7	32190-0478	E-4	41032-0002	E-11
12053-0009	B-10	13144-0064	B-14	132BA0614	C-14	21003-0102	C-12	32190-0607	E-4	41032-1077	E-11
12053-0010	B-10	13144-0064	C-3	132BA0614	E-5	21003-0147	C-12	32190-0655	E-4	41032-1085	E-11
12053-0017	B-10	13145-0031	C-4	132BA0614	E-9	21007-0155	C-12	33001-0594	E-6	41032-1086	E-11
12053-0125	E-6	13151-0560	C-4	132BA0616	F-5	21007-0164	C-12	33032-0012	E-6	41034-0034	E-12
12053-0129	C-7	13156-0124	C-5	132BA0625	E-5	21007-0165	C-12	33040-0020	E-6	41034-0057	E-13
12053-0130	C-7	13161-0077	C-5	132BA0630	C-7	21007-0593	C-12	33040-0075	E-6	41068-0004	E-12
12053-0192	E-6	13165-0018	C-5	132BA0635	C-7	21013-0001	C-12	34024-0074	E-10	41068-1466	E-13
120CA0625	B-3	13187-1089	B-13	132BA0650	C-6	21066-0721	C-12	34028-0104	E-8	41080-0076	F-8
120CA0625	B-5	13206-0008	B-12	132BA0660	C-6	21118-0004	B-10	34028-0105	E-8	41080-0094	F-8
120CA0630	C-14	13234-0045	C-11	132BA0665	C-14	21121-0706	C-13	35004-0319-290	E-9	41080-0192	F-6
120CA0840	F-6	13235-0003	F-3	132BA0665	C-6	21160-0553	C-13	35019-0050	E-9	41080-0193	F-6
120CB0514	C-10	13236-0097	E-14	132BA0665	C-7	21175-0792	C-10	35023-0357-266	E-9	41090-0114-WC	E-11
13001-0730	B-5	13236-0161	C-5	132BA0670	C-6	21175-0847	C-10	35023-0357-6C	E-9	41090-0115-WC	E-11
13002-0030	B-5	13236-0724	F-5	132BA0835	F-9	21176-0009	C-10	35063-0647	C-8	41091-0004-WC	E-11
13008-0028	B-5	13262-0671	B-14	132BA0840	B-7	21176-0058	C-8	36001-0220-6C	F-14	41091-0005-WC	E-11
13031-0739	B-11	13262-0672	B-14	132BB0625	D-3	21176-0066	C-10	36001-0222-6C	F-14	410AA0800	E-13
13032-0721	B-11	13262-0674	B-14	14001-0155	C-6	21176-0121	C-10	36001-0598-266	F-14	411S0600	B-7
13034-0019	B-11	13262-0676	B-14	14001-0605	C-6	21176-0129	C-8	36001-0600-266	F-14	42036-0019	E-6

This catalog covers:

'13~'14 KX250 ZDF/ZEF

GRID NO.

L-14

This grid covers:

Numerical Parts Index

Part No.	Grid No.	Part No.	Grid No.	Part No.	Grid No.	Part No.	Grid No.	Part No.	Grid No.	Part No.	Grid No.
42036-0020	E-7	44026-0175	F-10	481J2200	C-7	56054-1282	G-7	92015-1433	E-7	92043-1654	C-4
42036-0021	E-7	44026-0176	F-10	49002-0003	B-3	56069-2431	G-6	92015-1528	F-5	92043-1676	C-5
42036-0022	E-7	44026-0181	F-10	49002-0016	B-3	56069-2432	G-6	92015-1791	E-3	92043-4009	B-3
42036-0030	E-7	44026-0182	F-10	49006-0030	F-9	56069-2433	G-6	92015-1792	E-3	92043-4009	B-5
42036-1351	E-7	44026-0183	F-10	49006-0060	F-9	56069-2434	G-6	92015-1861	E-3	92043-4009	C-6
42041-0001	E-13	44028-0055	F-10	49006-0078	F-5	56069-2435	G-6	92015-1962	F-9	92045-0013	C-6
42041-1383	E-13	44037-0133-21	F-10	49006-1088	F-6	56069-2436	G-6	92019-008	E-5	92045-0051	C-6
42041-1384	E-13	44039-0122-21	F-10	49006-1088	F-8	56069-2437	G-6	92019-008	F-9	92045-0052	C-6
42041-1408	E-13	44065-0059	F-10	49006-1242	F-6	56069-4006	G-7	92022-1028	F-7	92045-0060	E-5
42041-1428	E-13	44065-0060	F-10	49006-1242	F-8	56069-4007	G-7	92022-1088	F-9	92045-1123	C-7
42041-1429	E-13	44065-0061	F-10	49016-1044	F-5	56069-4008	G-7	92022-1356	B-11	92045-1284	E-12
42041-1448	E-13	44071-0828	F-10	49033-0026	C-8	56069-4009	G-7	92022-1380	C-14	92045-1287	C-6
42041-1449	E-13	44071-0829	F-10	49033-0560	C-8	56069-4010	G-7	92022-1690	F-12	92045-1335	C-6
42041-1450	E-13	44071-0840	F-10	49040-0707	C-9	56069-4011	G-7	92022-1737	F-9	92045-1432	C-6
42041-1451	E-13	44071-0864	F-10	49047-0620	C-4	56070-3799	G-5	92022-1814	F-5	92045-1446	E-13
43010-1087	F-7	44071-0865	F-10	49047-0621	C-4	56071-0028	G-5	92022-1827	C-14	92046-0016	B-13
43015-0168	F-7	44071-0866	F-10	49056-0036	C-8	56071-0029	G-5	92022-1827	C-5	92046-0034	C-6
43015-0579	F-5	44071-0884	F-10	49065-0017	C-11	56071-0416	G-5	92022-1829	E-8	92046-1151	E-7
43020-1094	F-7	44071-0885	F-10	49065-0023	C-11	58029-0056-266	G-8	92022-1944	B-12	92046-1174	E-6
43020-1115	F-5	44071-0886	F-10	49078-0003	B-8	58029-0056-6C	G-8	92022-250	E-3	92046-1190	B-13
43022-1010	F-5	44071-0887	F-11	49078-0080	B-8	59006-0011	B-6	92022-271	B-12	92046-1221	C-6
43026-0020	F-5	44071-0917	F-11	49085-1070	D-3	59051-0009	C-11	92022-304	C-14	92046-1240	E-6
43026-0023	F-7	44071-0918	F-11	49085-1073	D-3	59051-0061	C-14	92026-0737	F-11	92046-1301	E-7
43028-1067	F-5	45014-0392-23P	F-3	49089-0832-25M	D-3	59051-0089	B-12	92026-1217	C-5	92046-1301	F-3
43028-1092	F-7	45014-0405-23P	F-3	49089-0833-25M	D-3	59051-0723	B-12	92027-1653	B-7	92049-0015	C-6
43034-1110	F-5	45014-0416-23P	F-3	49091-0001	F-5	59071-0049	C-8	92033-0040	F-3	92049-0030	C-6
43048-1066	F-8	45014-0417-23P	F-3	49091-0001	F-7	59231-0042	F-12	92033-0042	F-3	92049-0060	C-7
43048-1093	F-6	46003-0572	F-9	49107-0752	B-7	59256-1065	C-14	92033-0057	B-14	92049-0061	C-7
43049-1060	F-6	46012-0013-21	F-9	49118-0715	B-10	600A0800	B-12	92033-0057	C-3	92049-0063	E-7
43049-1061	F-6	46012-0020-21	F-9	49118-0774	B-10	600A1000	B-13	92033-0076	F-3	92049-0069	E-7
43049-1063	F-8	46012-0021-21	F-9	51001-0735	F-12	610A0408	C-11	92033-0079	F-7	92049-013	C-7
43049-1064	F-8	46012-0048-21	F-9	51044-0725	C-9	610A0408	C-4	92033-0720	F-11	92049-0151	F-3
43056-1055	F-6	46012-0324-21	F-9	51044-0736	C-9	670B2012	E-14	92033-1039	C-11	92049-0735	F-11
43056-1055	F-8	46019-0037	F-9	51044-0739	C-9	670E5070	C-9	92033-1041	E-13	92049-1262	C-6
43057-1001	F-6	46019-0041	F-9	51048-0031	F-12	92002-1736	E-3	92033-1161	B-5	92049-1349	B-8
43057-1001	F-8	46075-0072	F-9	510A3200	C-12	92004-0025	B-3	92033-1270	B-14	92049-1387	B-12
43058-0012	F-3	46075-0082	F-9	52005-1009	C-7	92005-0101	D-3	92033-1270	C-3	92049-1403	E-12
43078-0030	F-3	46076-0019	F-9	52010-0001	C-11	92005-0747	C-6	92036-007	B-13	92049-1519	C-7
43080-0037	F-8	46092-0007	F-9	53066-0357-336	F-14	92009-1571	C-4	92037-1523	B-3	92049-1614	E-13
43080-0081	F-6	46102-0574	F-3	54011-0569	F-13	92009-1795	F-5	92037-1589	D-3	92055-0010	C-14
43082-0107	F-8	46102-0578	F-11	54012-0591	F-13	92009-1971	F-12	92037-1903	G-3	92055-0016	C-10
43082-0132	F-6	46102-0579	F-11	55020-0435-6C	E-5	92009-1981	C-8	92042-007	B-3	92055-0064	C-8
43089-0026	F-3	46102-0582	F-3	55020-0436-6C	E-5	92009-1993	E-9	92042-007	C-11	92055-0094	F-11
43095-0617	F-7	46102-0584	F-3	55020-0441-6C	F-11	92015-1014	E-6	92042-007	C-14	92055-0098	F-3
43095-0755	F-5	46102-0590	F-3	55020-0442-6C	F-11	92015-1259	B-6	92042-007	C-7	92055-0099	F-3
44008-0059	F-10	46102-0591	F-3	55020-0443-6C	E-5	92015-1339	E-5	92043-0004	F-7	92055-0100	F-3
44013-0202	F-10	461S0600	B-7	55020-0458-6C	F-8	92015-1367	D-3	92043-0017	C-5	92055-0101	F-3
44013-0204	F-10	480J1400	C-5	550AA2015	F-7	92015-1402	B-7	92043-0074	E-8	92055-0124	C-8
44025-0052	F-10	480J1800	B-12	550AA3035	E-13	92015-1426	C-12	92043-1507	F-8	92055-0131	F-11
44026-0168	F-10	480J2200	B-14	550S3020	E-8	92015-1432	E-4	92043-1508	F-8	92055-0150	B-3

This catalog covers:

'13~'14 KX250 ZDF/ZEF

GRID NO.

L-15

This grid covers:

Numerical Parts Index

Part No.	Grid No.	Part No.	Grid No.	Part No.	Grid No.	Part No.	Grid No.	Part No.	Grid No.	Part No.	Grid No.
92055-055	B-14	92139-0241	C-3	92152-0683	B-14	92154-0515	E-8	92171-0482	F-5	92180-0199	B-9
92055-055	C-3	92143-1196	E-5	92152-0683	C-3	92154-0516	E-14	92171-0506	F-11	92180-0200	B-9
92055-0729	B-3	92143-1307	E-5	92152-0687	B-14	92154-0517	E-4	92171-0579	C-6	92180-0201	B-9
92055-0743	F-11	92143-1642	E-5	92152-0944	E-5	92154-0518	E-4	92171-0594	C-6	92180-0202	B-9
92055-0744	F-11	92143-1676	E-6	92152-0945	E-5	92154-0519	B-7	92171-0652	F-13	92180-0203	B-9
92055-0745	F-11	92144-1721	F-6	92152-1139	E-7	92154-0520	B-10	92171-0857	B-3	92180-0204	B-9
92055-0746	F-11	92144-1752	E-14	92152-1414	C-5	92154-0520	C-5	92172-0064	C-8	92180-0205	B-9
92055-086	B-10	92144-1761	C-11	92152-1427	E-13	92154-0520	C-7	92172-0069	F-9	92180-0206	B-9
92055-091	C-4	92144-1819	F-8	92152-1449	E-5	92154-0520	F-12	92172-0087	C-11	92180-0207	B-9
92055-091	C-7	92145-0351	B-13	92152-1544	E-13	92154-0532	C-14	92172-0119	E-6	92190-1488	E-14
92055-1011	C-7	92145-0453	C-5	92152-1552	F-12	92154-0535	B-4	92172-0248	B-12	92192-0161	F-12
92055-1146	C-7	92145-0465-10	F-3	92152-1606	C-3	92154-0546	D-3	92172-0438	C-8	92192-0167	D-3
92055-1308	C-14	92145-0499	B-12	92152-1624	E-5	92154-0546	F-14	92172-0776	C-8	92192-0823	C-8
92055-1352	B-4	92145-0608	C-5	92152-1652	F-11	92154-0547	F-14	92172-1064	F-7	92192-1184	C-6
92055-1622	C-8	92145-0758	B-10	92153-0338	B-3	92154-0772	E-9	92173-0058	C-7	92200-0027	B-13
92055-1671	C-8	92145-0800	E-8	92153-0339	B-3	92154-0774	E-5	92173-0861	G-3	92200-0029	C-5
92055-520	C-14	92145-0801	E-8	92153-0572	B-10	92154-0898	B-12	92173-0885	B-7	92200-0045	B-13
92057-0030	B-10	92145-0811	B-12	92153-0620	E-6	92154-0899	C-9	92173-1002	B-6	92200-0087	C-6
92057-0192	E-13	92145-0843	C-5	92153-0623	B-6	92154-0913	E-5	92180-0167	B-8	92200-0098	B-13
92058-1074	E-13	92145-0887-10	F-3	92153-0653	E-8	92154-0915	D-3	92180-0168	B-8	92200-0154	E-14
92062-0004	C-6	92145-0888-10	F-3	92153-0773	F-9	92154-0972	E-9	92180-0169	B-8	92200-0190	C-14
92062-0023	C-6	92145-0889-10	F-3	92153-0807	F-9	92154-1021	C-8	92180-0170	B-8	92200-0271	D-3
92065-058	C-6	92145-1414	C-4	92153-0808	F-9	92154-1057	F-11	92180-0171	B-8	92200-0285	E-6
92066-0733	C-7	92150-1340	F-11	92153-0825	C-5	92154-1058	F-11	92180-0172	B-8	92200-0378	B-12
92066-0757	C-7	92150-1340	F-8	92153-0918	B-10	92154-1059	F-11	92180-0173	B-8	92200-0442	B-14
92066-0758	C-7	92150-1435	D-3	92153-0938	E-7	92154-1060	F-11	92180-0174	B-8	92200-0442	C-3
92066-1437	C-6	92150-1435	E-5	92153-0939	E-7	92154-1094	B-3	92180-0175	B-8	92200-0723	C-3
92066-3777	B-3	92150-1435	G-8	92153-1021	F-7	92154-1109-KW	F-4	92180-0176	B-8	92200-1548	B-13
92070-0020	C-13	92150-1451	F-5	92153-1397	F-11	92154-1128	F-11	92180-0177	B-8	92200-1623	E-13
92070-0021	C-13	92150-1452	F-5	92153-1398	F-11	92154-1314	F-11	92180-0178	B-8	92210-0065	E-12
92072-0045	F-12	92150-1491	C-11	92153-1399	F-11	92154-1315	F-11	92180-0179	B-8	92210-0066	E-3
92072-1293	F-9	92150-1506	B-6	92153-1419	F-5	92160-1116	B-7	92180-0180	B-8	92210-0167	F-9
92075-209	D-3	92150-1506	E-5	92153-1419	F-7	92161-0041	C-8	92180-0181	B-8	92210-0270	F-4
92081-020	B-12	92150-1691	F-6	92153-1669	C-5	92161-0073	F-14	92180-0182	B-8	92210-0285	E-6
92093-0584	F-11	92150-1692	F-8	92153-1669	C-6	92161-0113	F-9	92180-0183	B-8	92210-0350	B-11
92093-1434	E-6	92150-1811	F-8	92153-1735	C-4	92161-0213	B-6	92180-0184	B-8	92210-0430	F-11
92093-1435	E-6	92150-1978	E-13	92154-0024	E-3	92161-0266	E-5	92180-0185	B-8	92210-0493	E-13
92093-1436	E-7	92151-1449	B-7	92154-0031	C-12	92161-0329	F-4	92180-0186	B-8	92210-0630	E-5
92104-0004	G-4	92151-1652	B-12	92154-0180	B-13	92161-0878	E-5	92180-0187	B-8	92210-0630	E-6
92104-1063	G-4	92151-1764	C-12	92154-0243	C-8	92161-0976	C-10	92180-0188	B-8	92210-0721	C-3
92104-1064	G-4	92151-1799	F-6	92154-0378	E-4	92161-1184	E-11	92180-0189	B-8	92210-0814	F-4
92110-0004	G-4	92152-0028	E-12	92154-0380	E-4	92161-1377	F-12	92180-0190	B-8	92210-0815	F-4
92110-0005	G-4	92152-0052	E-5	92154-0381	E-4	92161-1392	F-12	92180-0191	B-8	92210-1080	E-4
92116-1069	E-3	92152-0275	B-6	92154-0394	E-7	92161-1393	F-12	92180-0192	B-8	92210-1080	E-7
92116-1076	E-3	92152-0292	E-6	92154-0396	B-7	92170-1077	D-3	92180-0193	B-8	92210-1184	E-4
92122-0016	E-5	92152-0324	E-12	92154-0463	F-11	92170-1283	D-3	92180-0194	B-9	92210-1184	E-7
92122-0021	C-11	92152-0425	E-7	92154-0464	F-11	92170-1514	B-3	92180-0195	B-9	92210-1207	B-13
92122-0042	E-5	92152-0569	F-12	92154-0511	E-6	92170-1938	C-6	92180-0196	B-9	92210-1352	E-9
92139-0014	B-13	92152-0620	E-5	92154-0512	E-7	92171-0372	D-3	92180-0197	B-9	92210-1411	E-13
92139-0241	B-14	92152-0666	D-3	92154-0513	E-7	92171-0481	F-5	92180-0198	B-9	99901-0036-02	G-9

This catalog covers:

'13~'14 KX250 ZDF/ZEF

GRID NO.

L-16

This grid covers:

Numerical Parts Index

Part No.	Grid No.	Part No.	Grid No.	Part No.	Grid No.	Part No.	Grid No.	Part No.	Grid No.	Part No.	Grid No.
----------	----------	----------	----------	----------	----------	----------	----------	----------	----------	----------	----------

99924-1459-02	G-9
99953-1076-02	G-9
99954-1090-02	G-9
99955-1063-02	G-9
99956-1051-02	G-9
99976-1716	G-9
99976-1717	G-9
99976-1778	G-9
99976-1779	G-9

This catalog covers:

'13~'14 KX250 ZDF/ZEF

Accessory	G-8
Air Cleaner	B-6
Brake Pedal	E-14
Cables	F-13
Camshaft(s)	B-10
Chassis Electrical Equipment	G-3
Clutch	B-13
Crankcase	C-6
Crankshaft	B-11
Cylinder	B-5
Cylinder Head	B-3
Cylinder Head Cover	B-4
Decals(ZDF)	G-6
Decals(ZEF)	G-7
Engine Cover(s)	C-7
Engine Mount	E-4
Fenders	E-9
Footrests	E-8
Frame	E-3
Frame Fittings	E-5
Front Brake	F-6
Front Fork	F-10/F-11
Front Hub	E-12
Front Master Cylinder	F-5
Fuel Injection	C-10
Fuel Pump	C-9
Fuel Tank	F-12
Gear Change Drum	C-4

GRID NO.

B-16

This grid covers:

Part Name Index

Gear Change Mechanism	C-5
Generator	C-12
Handlebar	F-9
Ignition System	C-13
Kickstarter Mechanism	B-12
Labels	G-5
Manual(EU)	G-9
Muffler(s)	B-7
Oil Pump	C-11
Owner's Tools	G-4
Piston(s)	B-5
Radiator	D-3
Rear Brake	F-8
Rear Hub	E-13
Rear Master Cylinder	F-7
Shift Fork(s)	C-4
Shock Absorber(s)	F-3/F-4
Side Covers	F-14
Stand(s)	E-10
Suspension	E-7
Swingarm	E-6
Tensioner	B-10
Throttle	C-8
Tires	E-11
Transmission(ZDF)	B-14
Transmission(ZEF)	C-3
Valve(s)	B-8/B-9
Water Pump	C-14

This catalog covers:

'13~'14 KX250 ZDF/ZEF

Accessory	G-8
Air Cleaner	B-6
Brake Pedal	E-14
Cables	F-13
Camshaft(s)	B-10
Chassis Electrical Equipment	G-3
Clutch	B-13
Crankcase	C-6
Crankshaft	B-11
Cylinder	B-5
Cylinder Head	B-3
Cylinder Head Cover	B-4
Decals(ZDF)	G-6
Decals(ZEF)	G-7
Engine Cover(s)	C-7
Engine Mount	E-4
Fenders	E-9
Footrests	E-8
Frame	E-3
Frame Fittings	E-5
Front Brake	F-6
Front Fork	F-10/F-11
Front Hub	E-12
Front Master Cylinder	F-5
Fuel Injection	C-10
Fuel Pump	C-9
Fuel Tank	F-12
Gear Change Drum	C-4

GRID NO.

C-16

This grid covers:

Part Name Index

Gear Change Mechanism	C-5
Generator	C-12
Handlebar	F-9
Ignition System	C-13
Kickstarter Mechanism	B-12
Labels	G-5
Manual(EU)	G-9
Muffler(s)	B-7
Oil Pump	C-11
Owner's Tools	G-4
Piston(s)	B-5
Radiator	D-3
Rear Brake	F-8
Rear Hub	E-13
Rear Master Cylinder	F-7
Shift Fork(s)	C-4
Shock Absorber(s)	F-3/F-4
Side Covers	F-14
Stand(s)	E-10
Suspension	E-7
Swingarm	E-6
Tensioner	B-10
Throttle	C-8
Tires	E-11
Transmission(ZDF)	B-14
Transmission(ZEF)	C-3
Valve(s)	B-8/B-9
Water Pump	C-14

This catalog covers:

'13~'14 KX250 ZDF/ZEF

Accessory	G-8
Air Cleaner	B-6
Brake Pedal	E-14
Cables	F-13
Camshaft(s)	B-10
Chassis Electrical Equipment	G-3
Clutch	B-13
Crankcase	C-6
Crankshaft	B-11
Cylinder	B-5
Cylinder Head	B-3
Cylinder Head Cover	B-4
Decals(ZDF)	G-6
Decals(ZEF)	G-7
Engine Cover(s)	C-7
Engine Mount	E-4
Fenders	E-9
Footrests	E-8
Frame	E-3
Frame Fittings	E-5
Front Brake	F-6
Front Fork	F-10/F-11
Front Hub	E-12
Front Master Cylinder	F-5
Fuel Injection	C-10
Fuel Pump	C-9
Fuel Tank	F-12
Gear Change Drum	C-4

GRID NO.

D-16

This grid covers:

Part Name Index

Gear Change Mechanism	C-5
Generator	C-12
Handlebar	F-9
Ignition System	C-13
Kickstarter Mechanism	B-12
Labels	G-5
Manual(EU)	G-9
Muffler(s)	B-7
Oil Pump	C-11
Owner's Tools	G-4
Piston(s)	B-5
Radiator	D-3
Rear Brake	F-8
Rear Hub	E-13
Rear Master Cylinder	F-7
Shift Fork(s)	C-4
Shock Absorber(s)	F-3/F-4
Side Covers	F-14
Stand(s)	E-10
Suspension	E-7
Swingarm	E-6
Tensioner	B-10
Throttle	C-8
Tires	E-11
Transmission(ZDF)	B-14
Transmission(ZEF)	C-3
Valve(s)	B-8/B-9
Water Pump	C-14

This catalog covers:

'13~'14 KX250 ZDF/ZEF

Accessory	G-8
Air Cleaner	B-6
Brake Pedal	E-14
Cables	F-13
Camshaft(s)	B-10
Chassis Electrical Equipment	G-3
Clutch	B-13
Crankcase	C-6
Crankshaft	B-11
Cylinder	B-5
Cylinder Head	B-3
Cylinder Head Cover	B-4
Decals(ZDF)	G-6
Decals(ZEF)	G-7
Engine Cover(s)	C-7
Engine Mount	E-4
Fenders	E-9
Footrests	E-8
Frame	E-3
Frame Fittings	E-5
Front Brake	F-6
Front Fork	F-10/F-11
Front Hub	E-12
Front Master Cylinder	F-5
Fuel Injection	C-10
Fuel Pump	C-9
Fuel Tank	F-12
Gear Change Drum	C-4

GRID NO.

E-16

This grid covers:

Part Name Index

Gear Change Mechanism	C-5
Generator	C-12
Handlebar	F-9
Ignition System	C-13
Kickstarter Mechanism	B-12
Labels	G-5
Manual(EU)	G-9
Muffler(s)	B-7
Oil Pump	C-11
Owner's Tools	G-4
Piston(s)	B-5
Radiator	D-3
Rear Brake	F-8
Rear Hub	E-13
Rear Master Cylinder	F-7
Shift Fork(s)	C-4
Shock Absorber(s)	F-3/F-4
Side Covers	F-14
Stand(s)	E-10
Suspension	E-7
Swingarm	E-6
Tensioner	B-10
Throttle	C-8
Tires	E-11
Transmission(ZDF)	B-14
Transmission(ZEF)	C-3
Valve(s)	B-8/B-9
Water Pump	C-14

This catalog covers:

'13~'14 KX250 ZDF/ZEF

Accessory	G-8
Air Cleaner	B-6
Brake Pedal	E-14
Cables	F-13
Camshaft(s)	B-10
Chassis Electrical Equipment	G-3
Clutch	B-13
Crankcase	C-6
Crankshaft	B-11
Cylinder	B-5
Cylinder Head	B-3
Cylinder Head Cover	B-4
Decals(ZDF)	G-6
Decals(ZEF)	G-7
Engine Cover(s)	C-7
Engine Mount	E-4
Fenders	E-9
Footrests	E-8
Frame	E-3
Frame Fittings	E-5
Front Brake	F-6
Front Fork	F-10/F-11
Front Hub	E-12
Front Master Cylinder	F-5
Fuel Injection	C-10
Fuel Pump	C-9
Fuel Tank	F-12
Gear Change Drum	C-4

GRID NO.

F-16

This grid covers:

Part Name Index

Gear Change Mechanism	C-5
Generator	C-12
Handlebar	F-9
Ignition System	C-13
Kickstarter Mechanism	B-12
Labels	G-5
Manual(EU)	G-9
Muffler(s)	B-7
Oil Pump	C-11
Owner's Tools	G-4
Piston(s)	B-5
Radiator	D-3
Rear Brake	F-8
Rear Hub	E-13
Rear Master Cylinder	F-7
Shift Fork(s)	C-4
Shock Absorber(s)	F-3/F-4
Side Covers	F-14
Stand(s)	E-10
Suspension	E-7
Swingarm	E-6
Tensioner	B-10
Throttle	C-8
Tires	E-11
Transmission(ZDF)	B-14
Transmission(ZEF)	C-3
Valve(s)	B-8/B-9
Water Pump	C-14

This catalog covers:

'13~'14 KX250 ZDF/ZEF

Accessory	G-8
Air Cleaner	B-6
Brake Pedal	E-14
Cables	F-13
Camshaft(s)	B-10
Chassis Electrical Equipment	G-3
Clutch	B-13
Crankcase	C-6
Crankshaft	B-11
Cylinder	B-5
Cylinder Head	B-3
Cylinder Head Cover	B-4
Decals(ZDF)	G-6
Decals(ZEF)	G-7
Engine Cover(s)	C-7
Engine Mount	E-4
Fenders	E-9
Footrests	E-8
Frame	E-3
Frame Fittings	E-5
Front Brake	F-6
Front Fork	F-10/F-11
Front Hub	E-12
Front Master Cylinder	F-5
Fuel Injection	C-10
Fuel Pump	C-9
Fuel Tank	F-12
Gear Change Drum	C-4

GRID NO.

G-16

This grid covers:

Part Name Index

Gear Change Mechanism	C-5
Generator	C-12
Handlebar	F-9
Ignition System	C-13
Kickstarter Mechanism	B-12
Labels	G-5
Manual(EU)	G-9
Muffler(s)	B-7
Oil Pump	C-11
Owner's Tools	G-4
Piston(s)	B-5
Radiator	D-3
Rear Brake	F-8
Rear Hub	E-13
Rear Master Cylinder	F-7
Shift Fork(s)	C-4
Shock Absorber(s)	F-3/F-4
Side Covers	F-14
Stand(s)	E-10
Suspension	E-7
Swingarm	E-6
Tensioner	B-10
Throttle	C-8
Tires	E-11
Transmission(ZDF)	B-14
Transmission(ZEF)	C-3
Valve(s)	B-8/B-9
Water Pump	C-14