

This catalog covers:

'15~'16 KX250 ZFF/ZGF

GRID NO.

A-1

This grid covers:

Title



PARTS CATALOG

'15~'16 KX250 ZFF/ZGF

(KX250F)

Publications.....	A-2
Model Identification.....	A-4
Engine.....	B-1
Chassis.....	D-1

© Kawasaki Heavy Industries, Ltd. 2015

Engine No. Location:
RH side crankcase

Year & Model

'15 KX250ZFF

Color

1. Lime Green (777)

VIN No. Range

JKAKX250ZZA025001 ~ 034000

JKAKXMZC\FA025001 ~ 034000 (Australia only)

Engine No. Range

KX250ZE000001 ~

'16 KX250ZGF

1. Lime Green (777)

JKAKX250ZZA034001 ~

JKAKXMZC\GA034001 ~ (Australia only)

KX250ZE000001 ~

This catalog covers:

'15~'16 KX250 ZFF/ZGF

GRID NO.

A-2

This grid covers:

Publications

Year & Model	Owner's Manual	A&P Manual		Service Manual		Microfiche
		General	Supplement	Basic	Supplement	
2015 KX250ZFF	99976-1889(EN/FR/DE) 99976-1890(IT/ES/NL) 99986-1827(Australia only)			99924-1459-03		99912-1887-02
2016 KX250ZGF	99976-1929(EN/FR/DE) 99976-1930(IT/ES/NL) 99986-1864(Australia only)			99924-1459-04		See above

This catalog covers:

'15~'16 KX250 ZFF/ZGF

GRID NO.

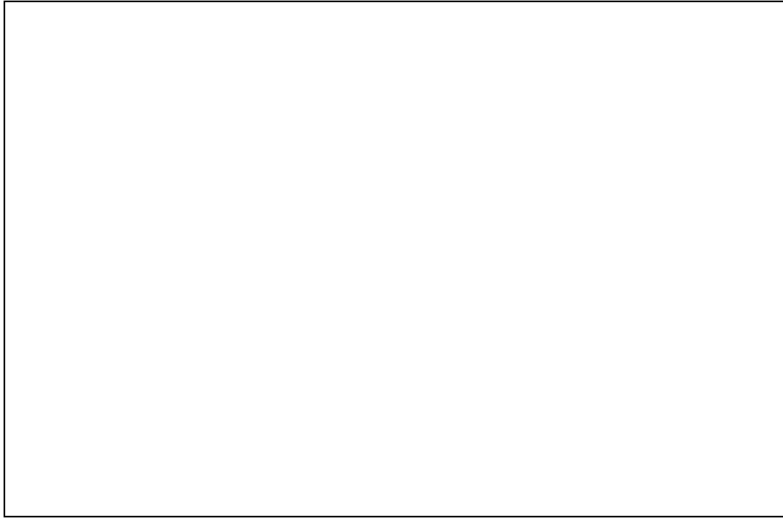
A-4

This grid covers:

Model I.D. '15~'16 KX250 ZFF/ZGF

KX250ZFF

Left Side View



Right Side View



KX250ZGF

Left Side View



Right Side View



This catalog covers:

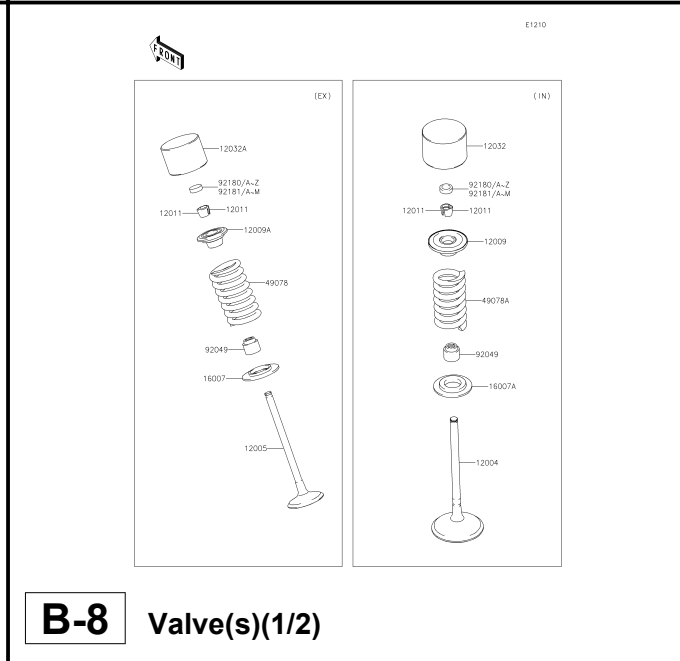
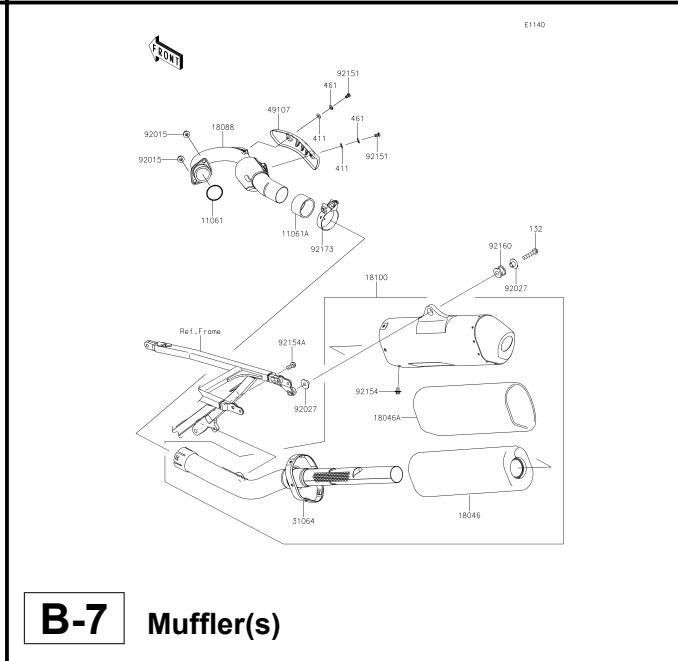
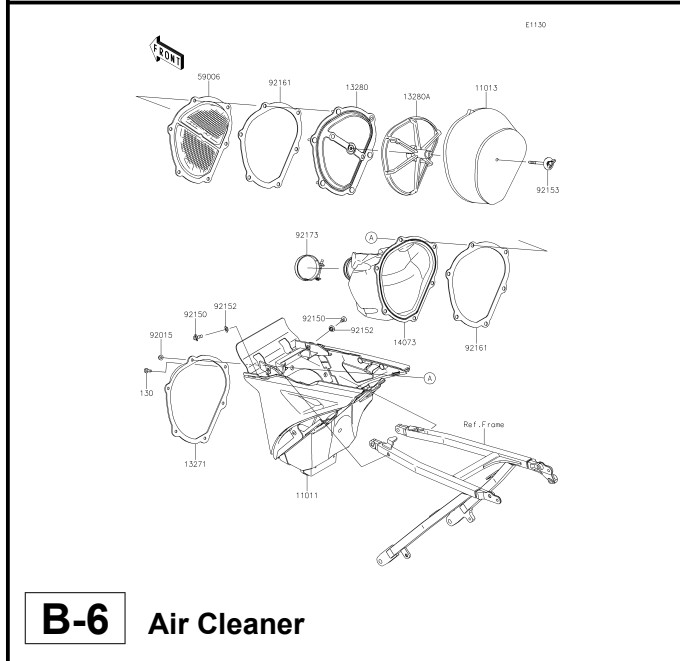
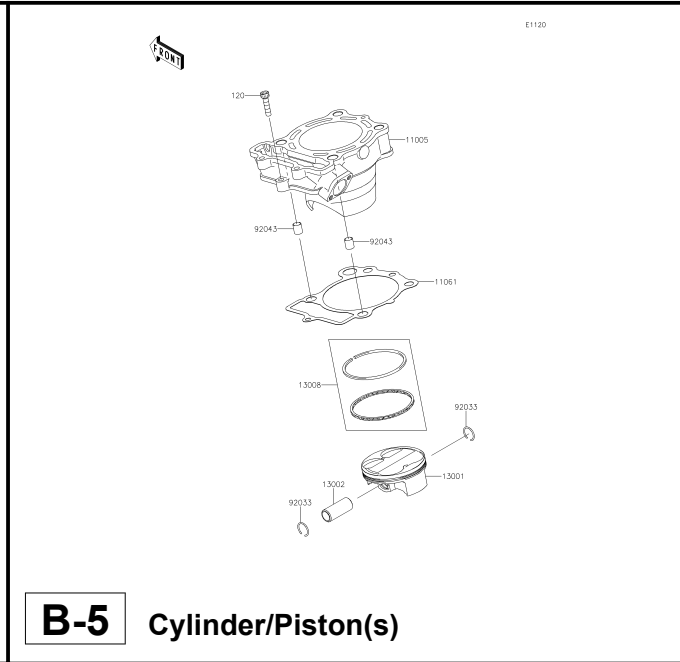
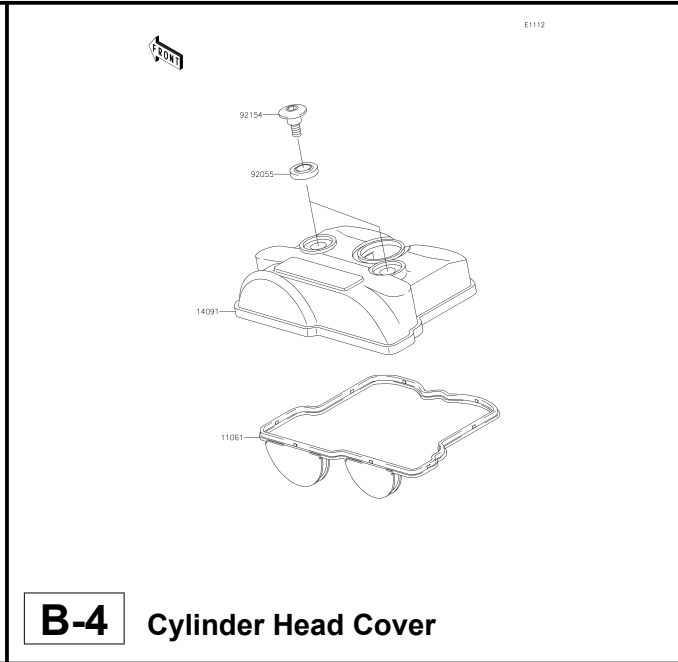
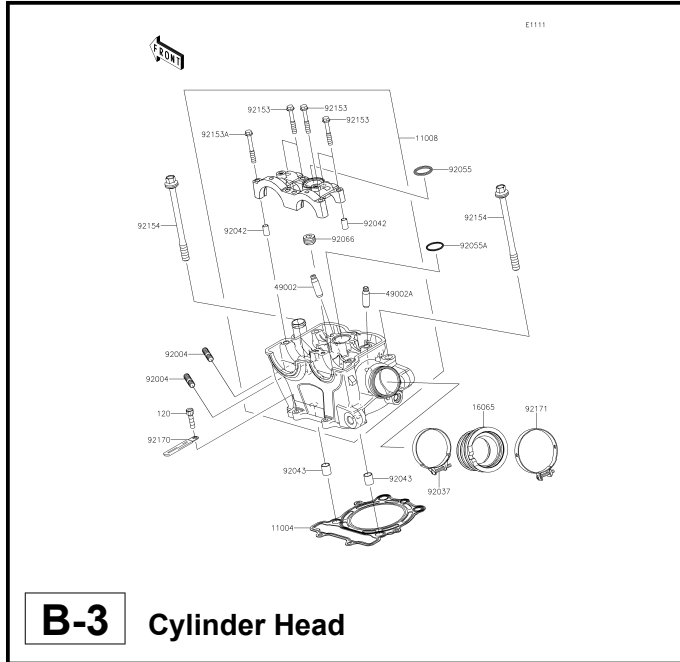
'15~'16 KX250 ZFF/ZGF Engine

GRID NO.

B-1

This grid covers:

Pictorial Index



This catalog covers:

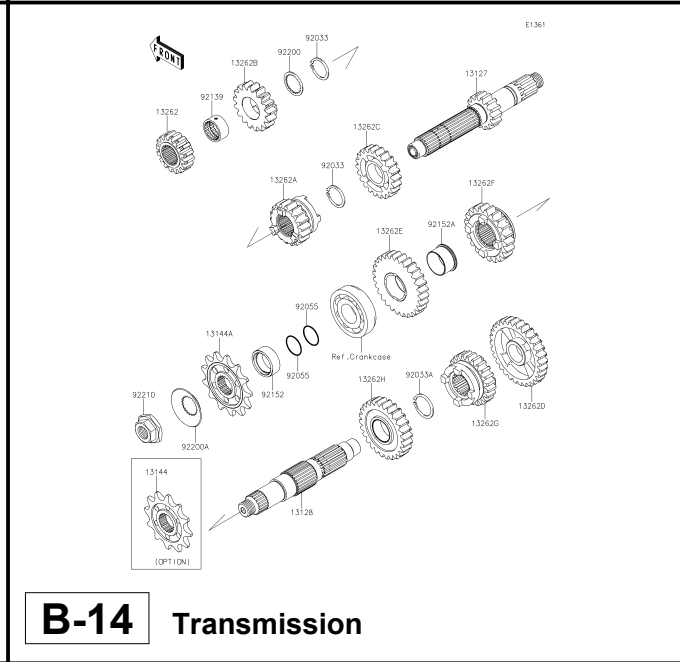
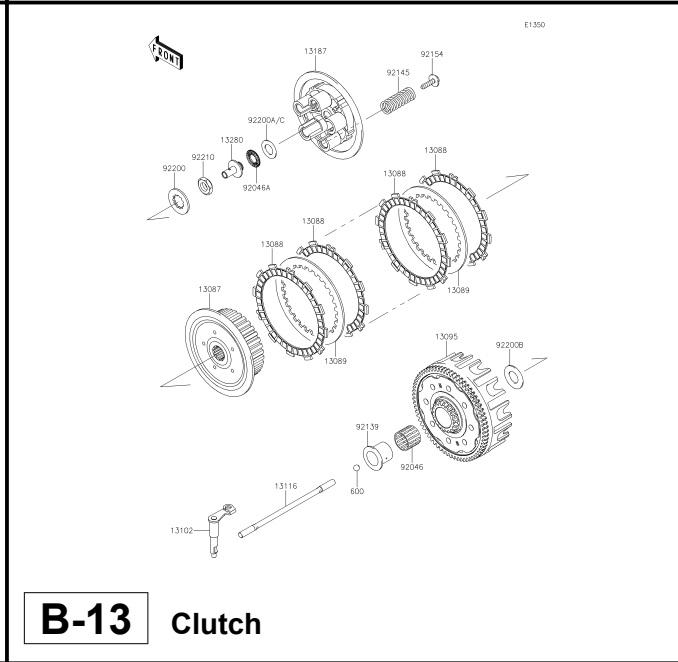
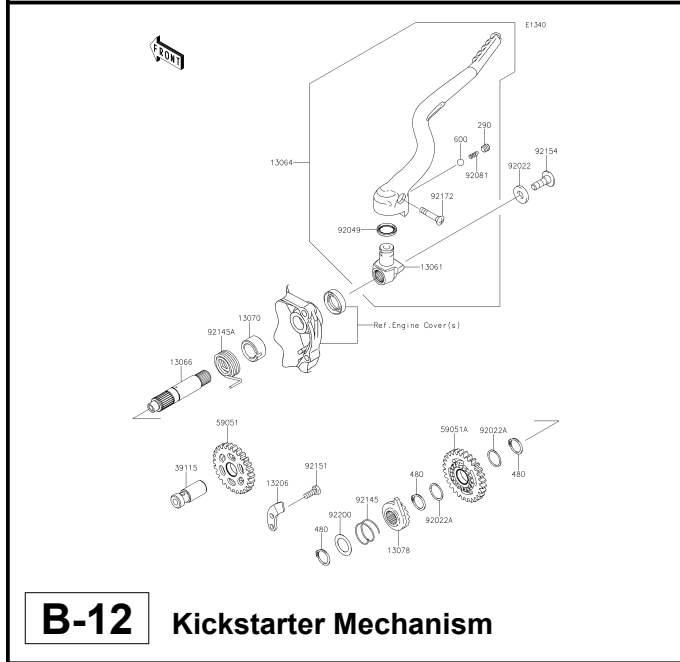
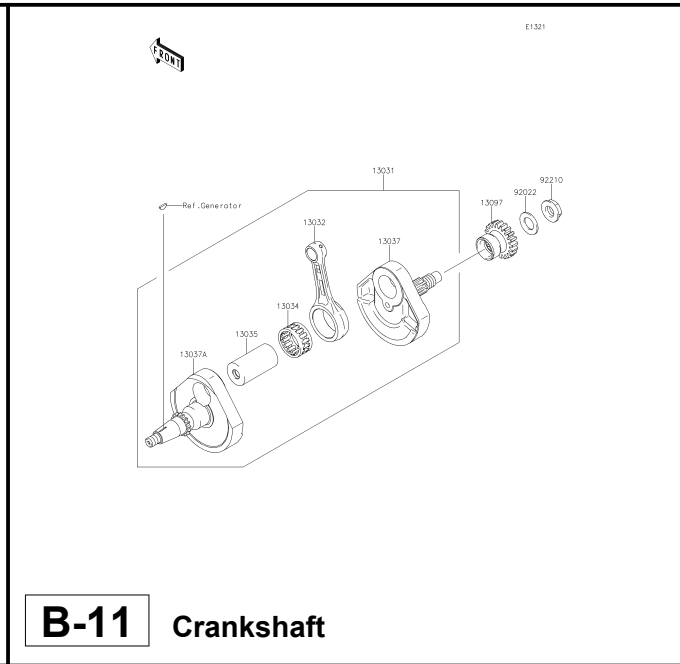
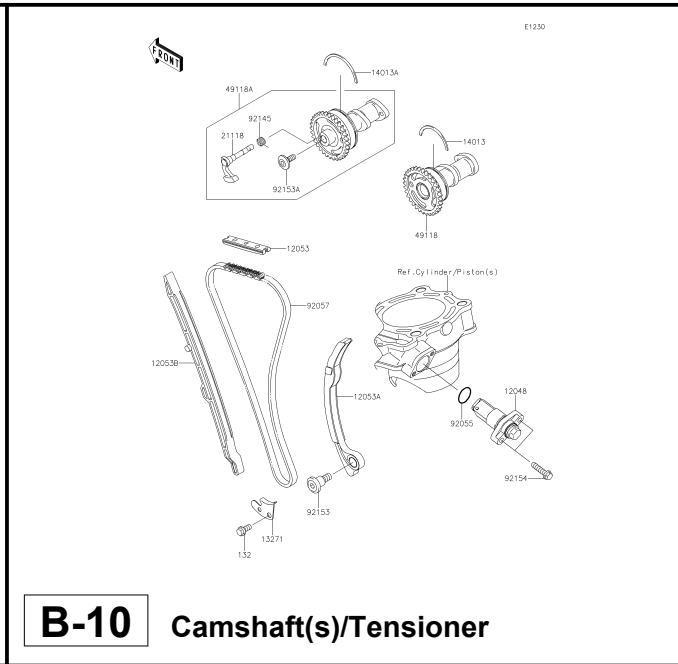
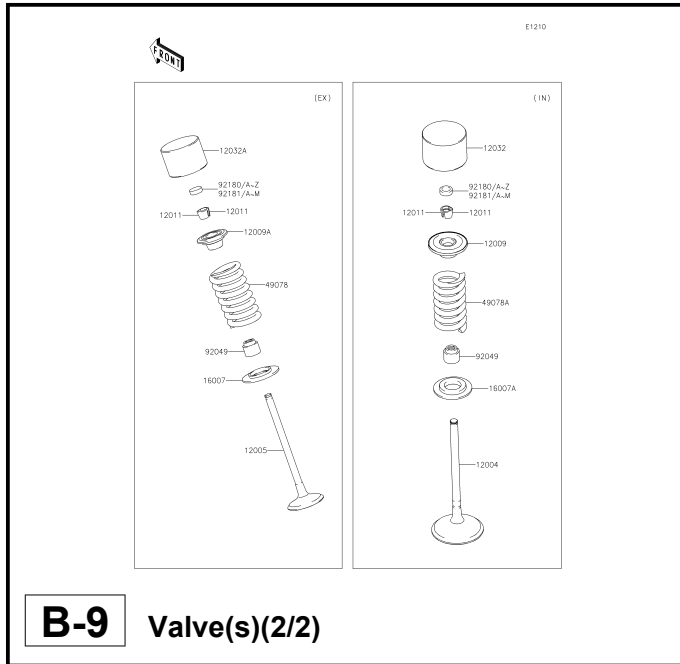
'15~'16 KX250 ZFF/ZGF Engine

GRID NO.

B-2

This grid covers:

Pictorial Index



This catalog covers:

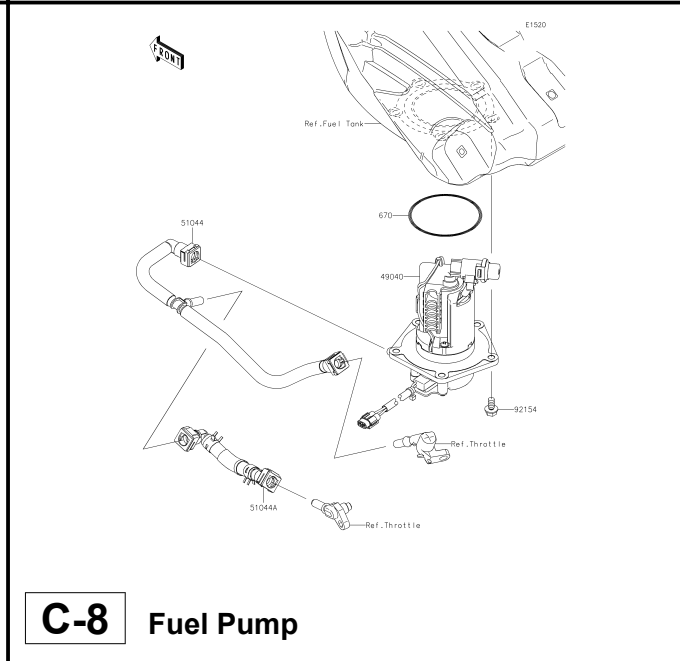
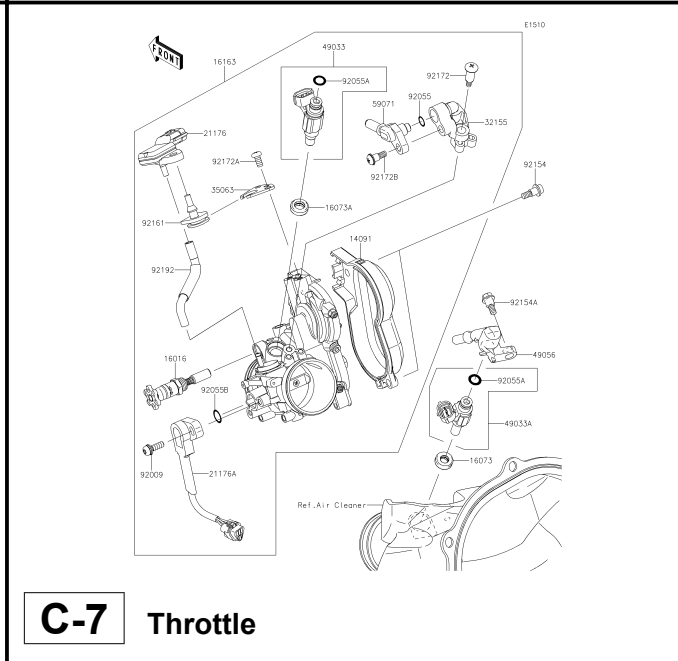
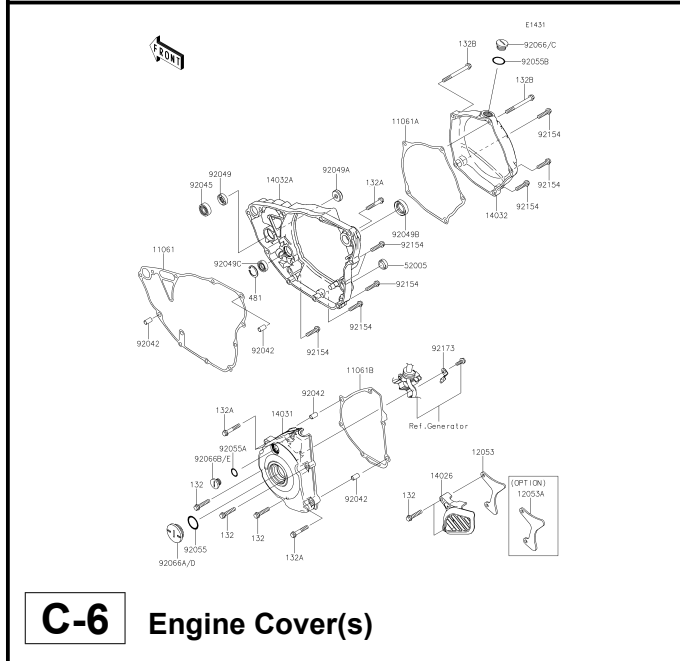
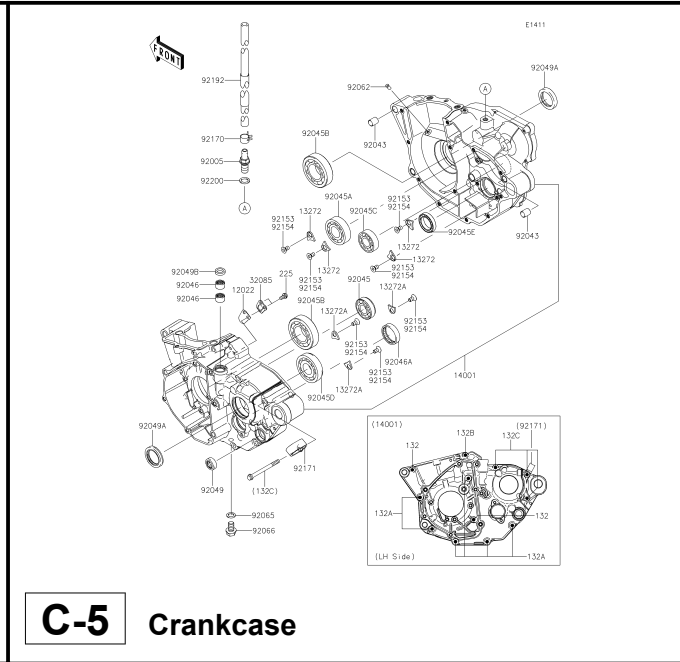
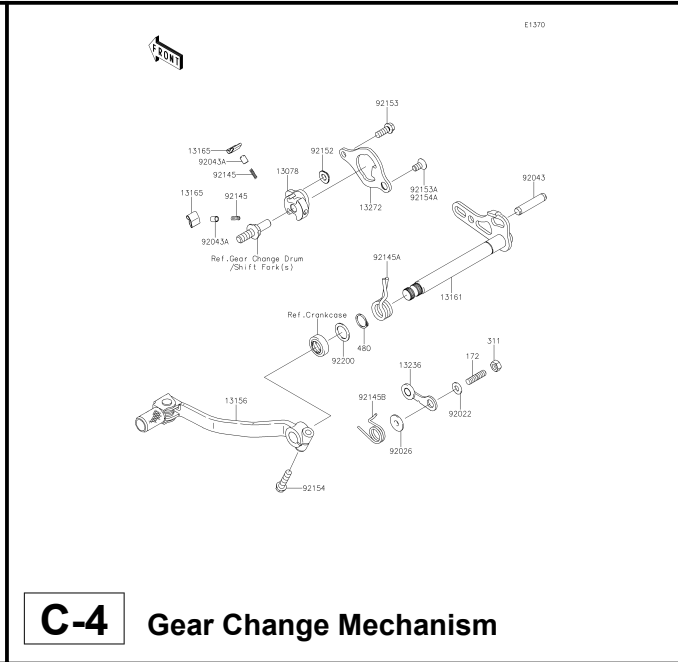
'15~'16 KX250 ZFF/ZGF Engine

GRID NO.

C-1

This grid covers:

Pictorial Index



This catalog covers:

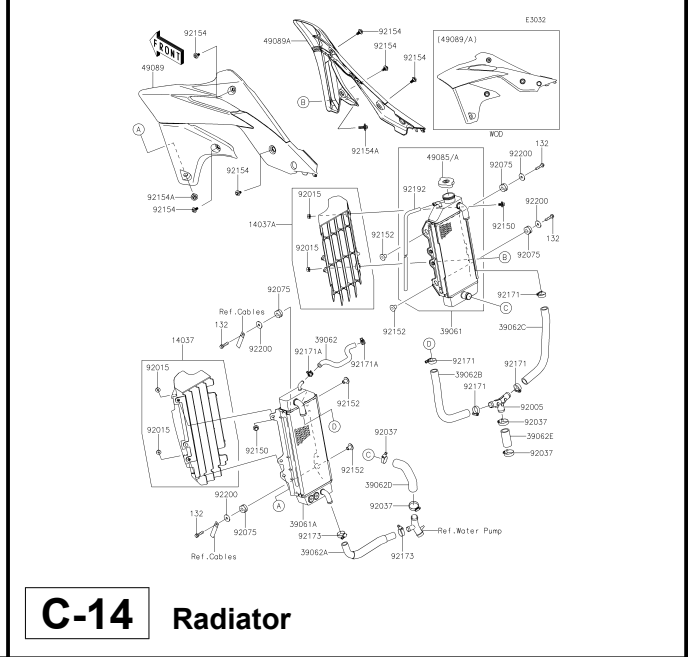
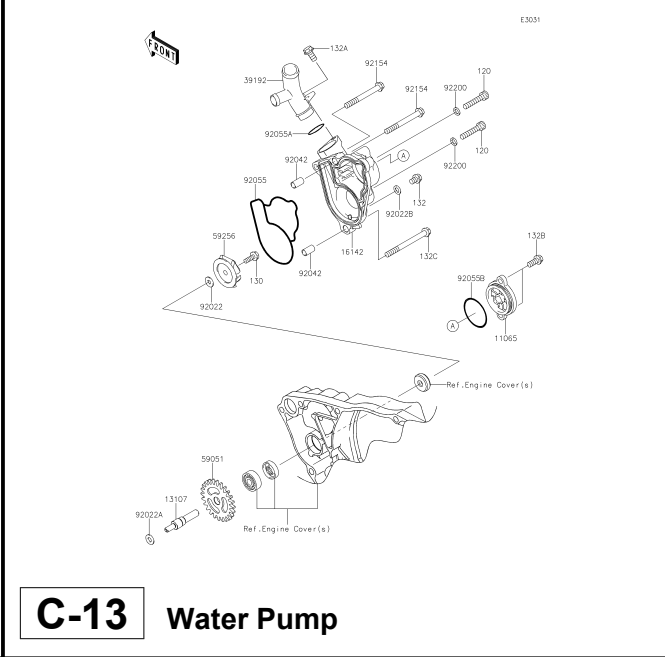
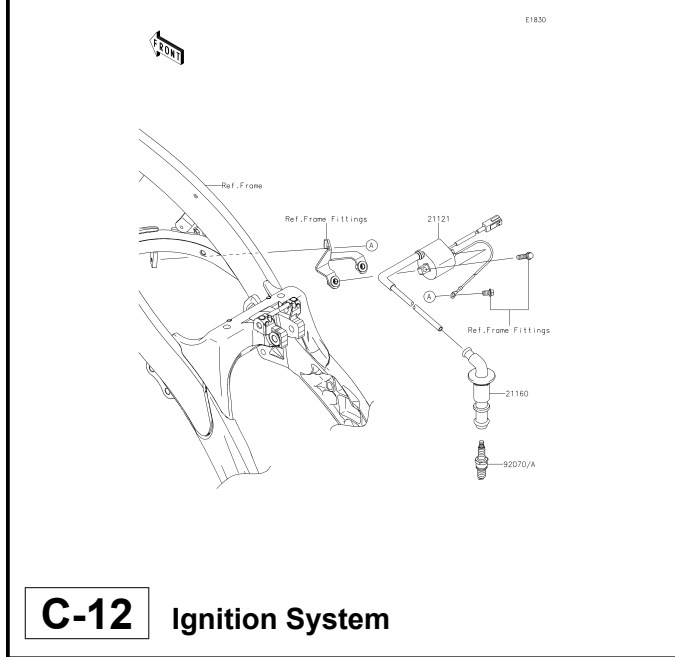
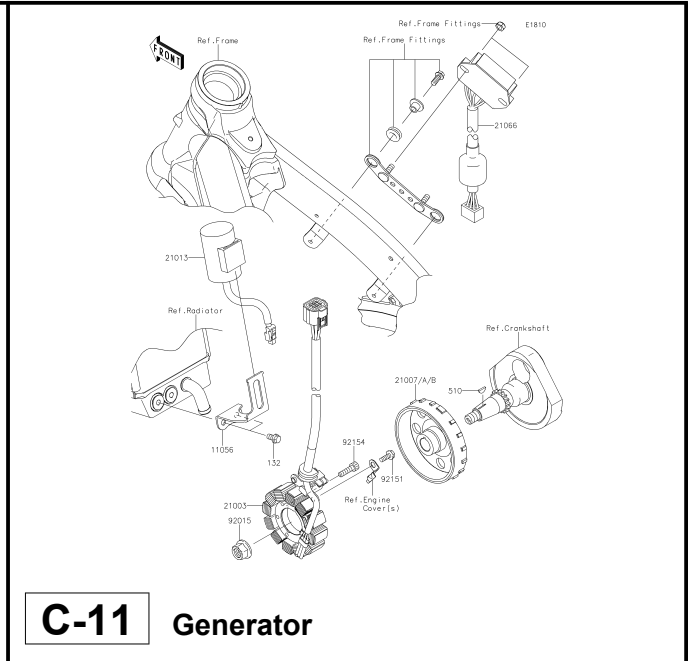
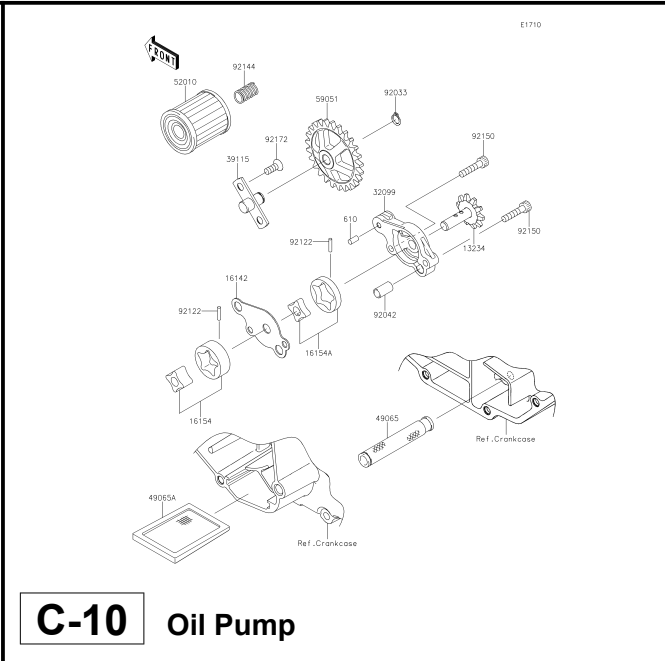
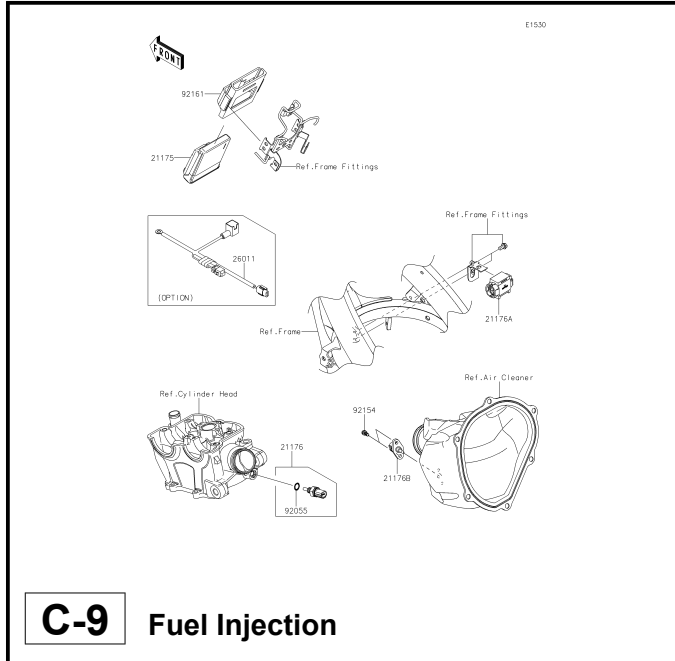
'15~'16 KX250 ZFF/ZGF Engine

GRID NO.

C-2

This grid covers:

Pictorial Index



This catalog covers:

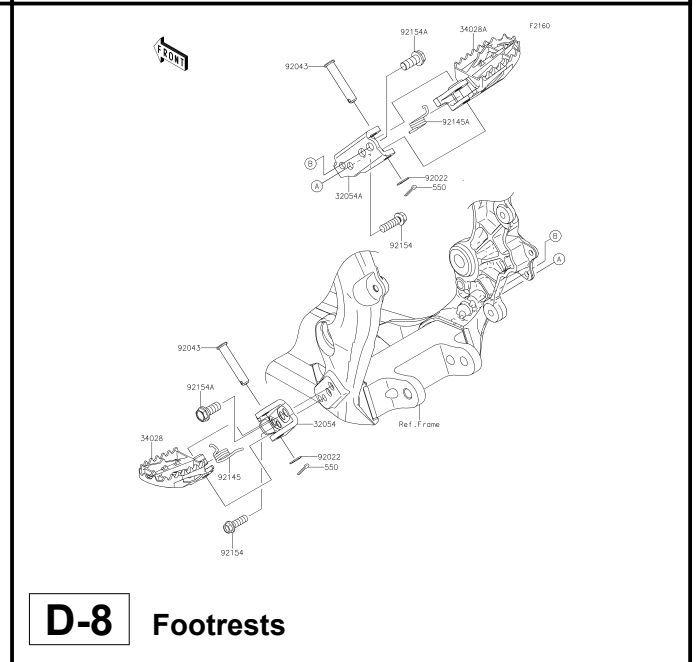
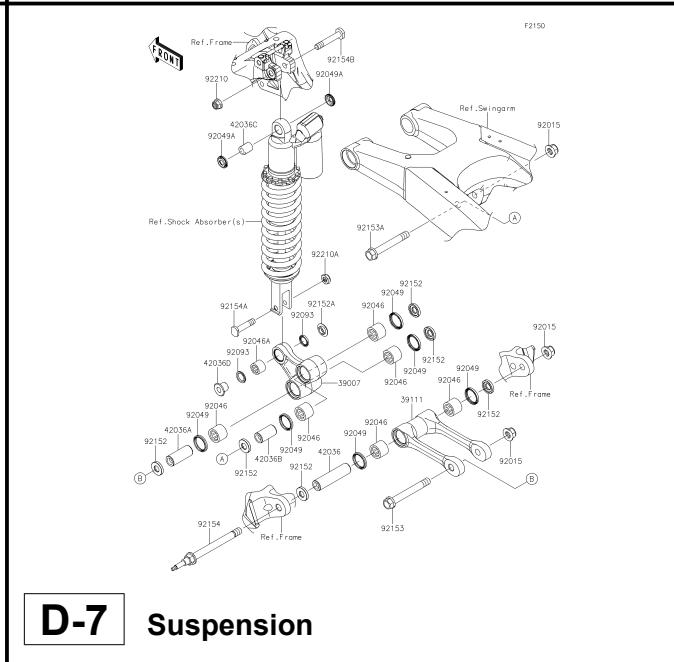
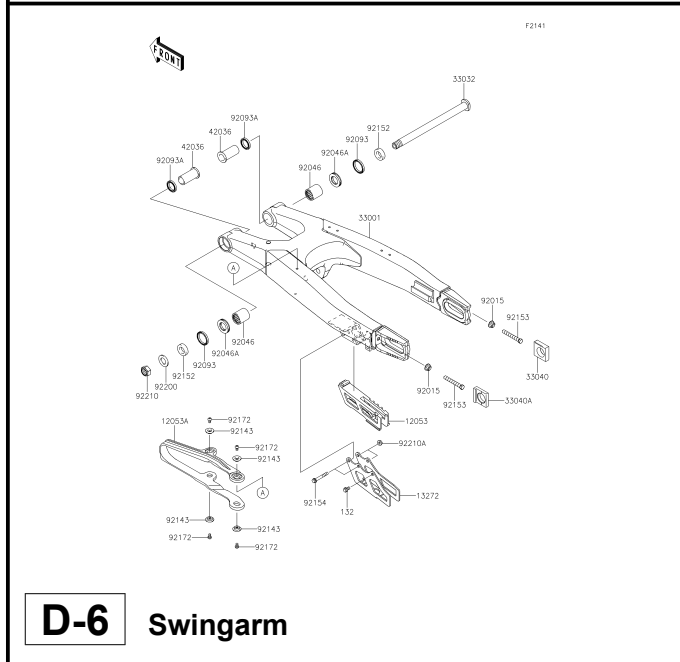
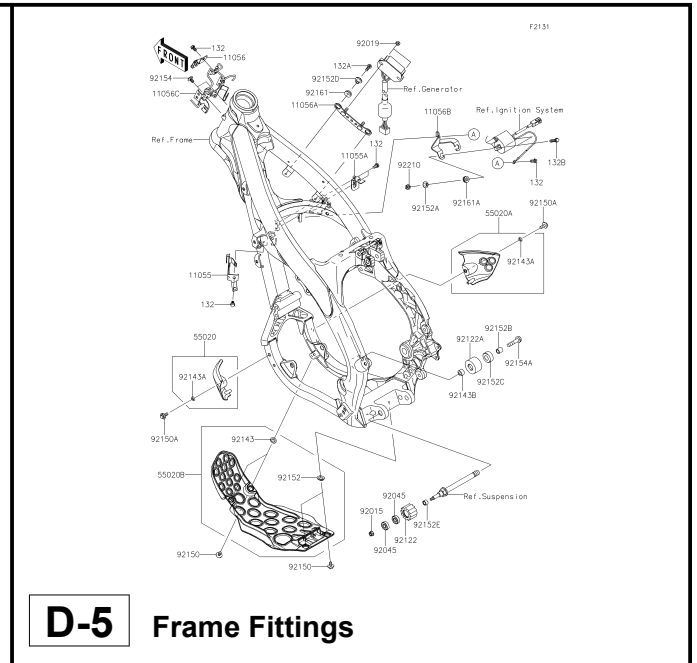
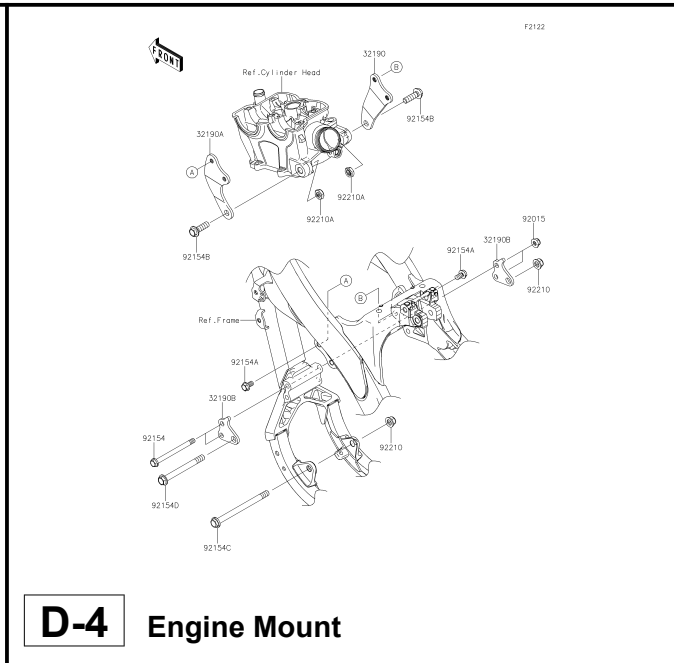
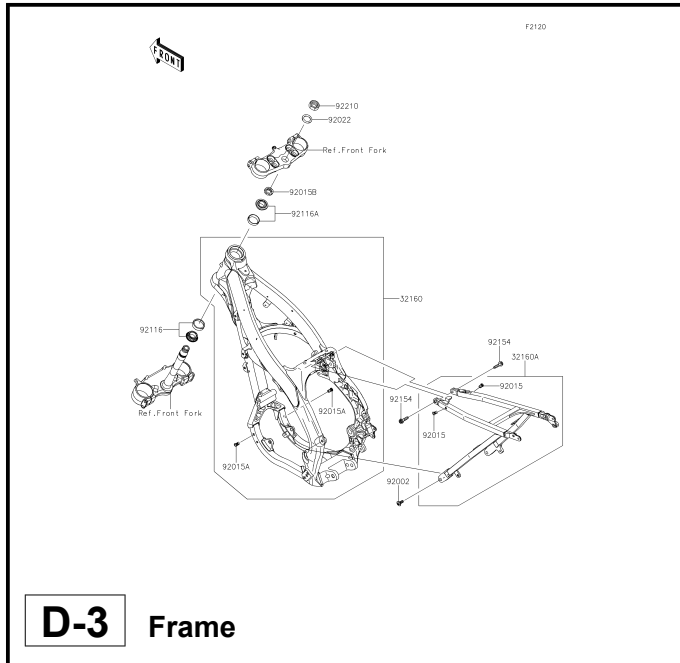
'15~'16 KX250 ZFF/ZGF Chassis

GRID NO.

D-1

This grid covers:

Pictorial Index



This catalog covers:

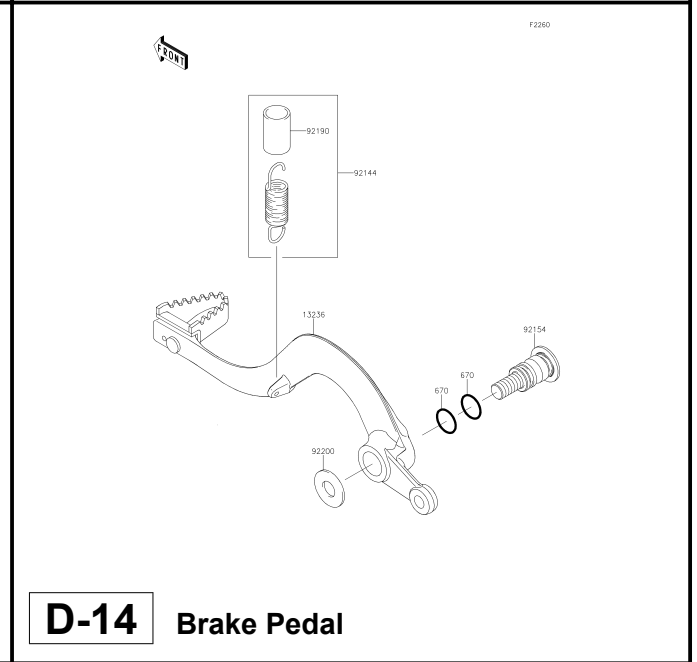
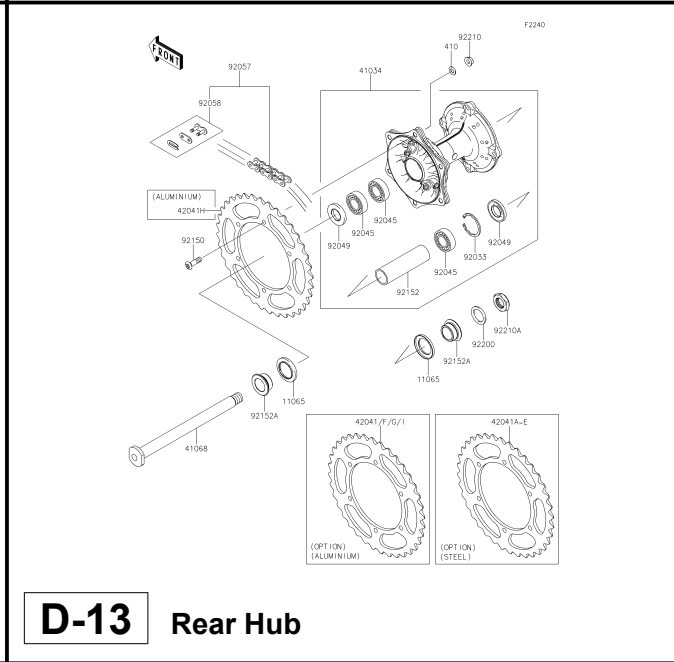
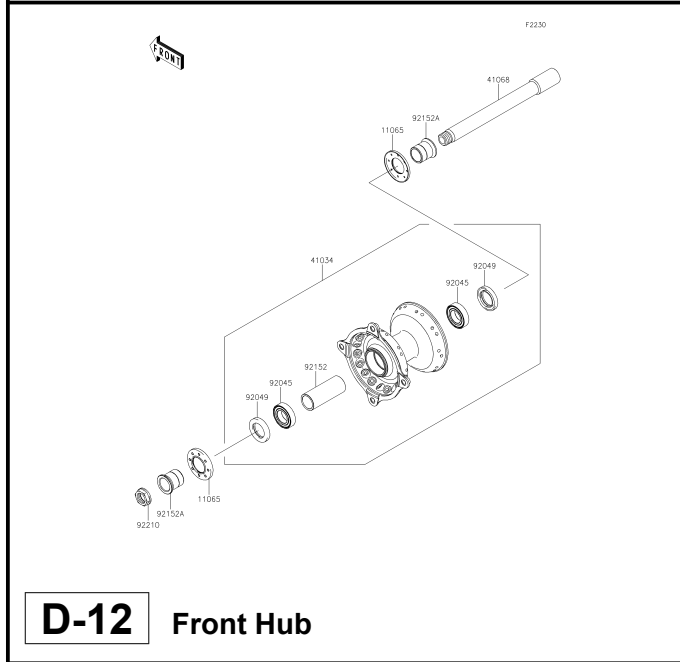
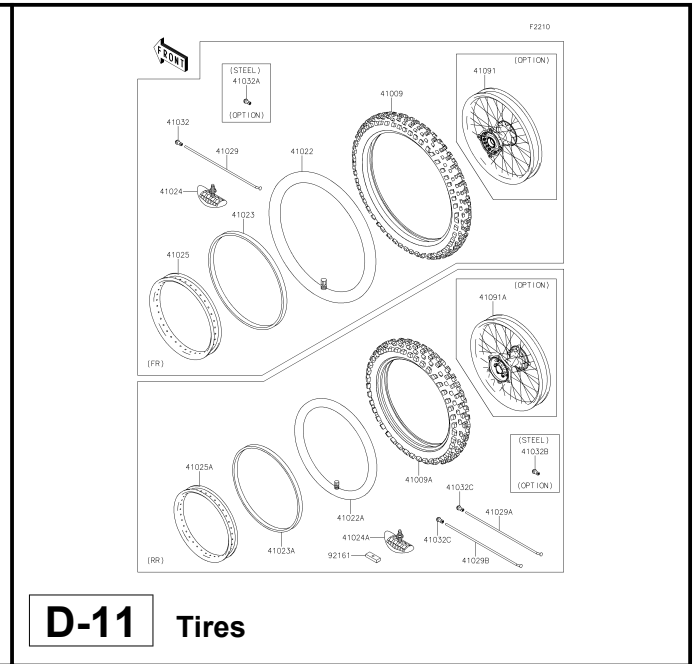
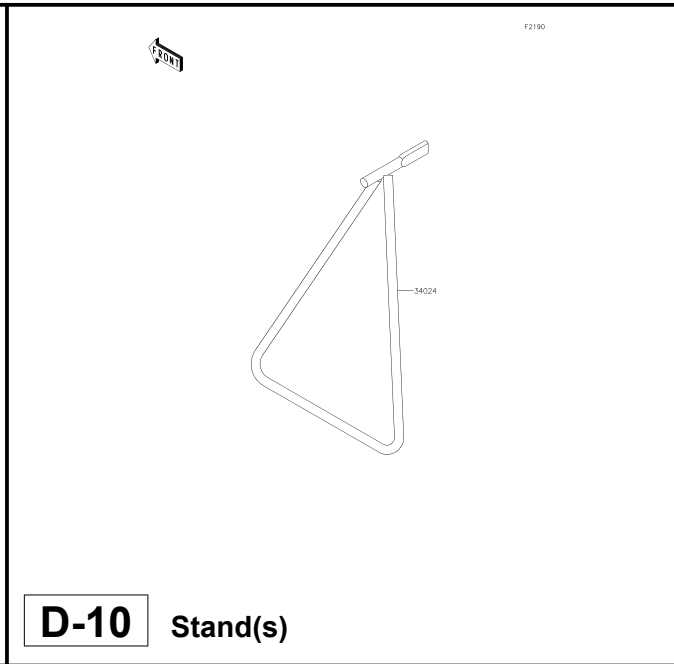
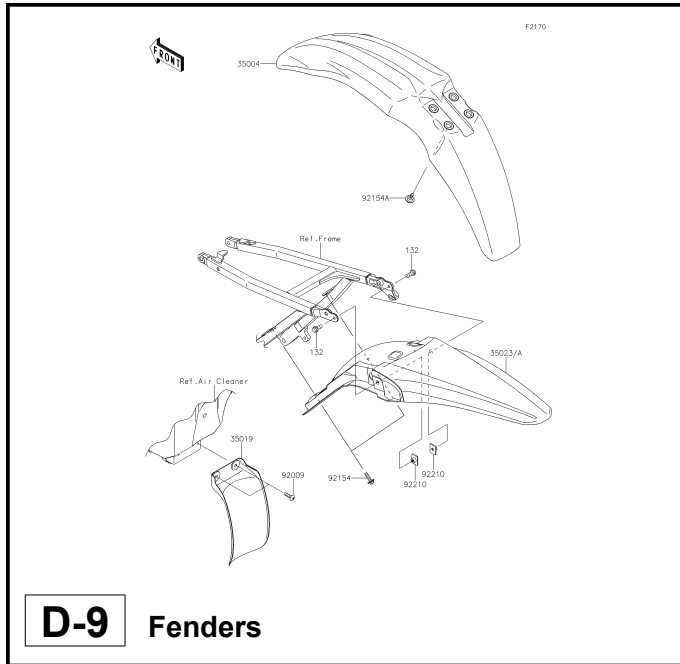
'15~'16 KX250 ZFF/ZGF Chassis

GRID NO.

D-2

This grid covers:

Pictorial Index



This catalog covers:

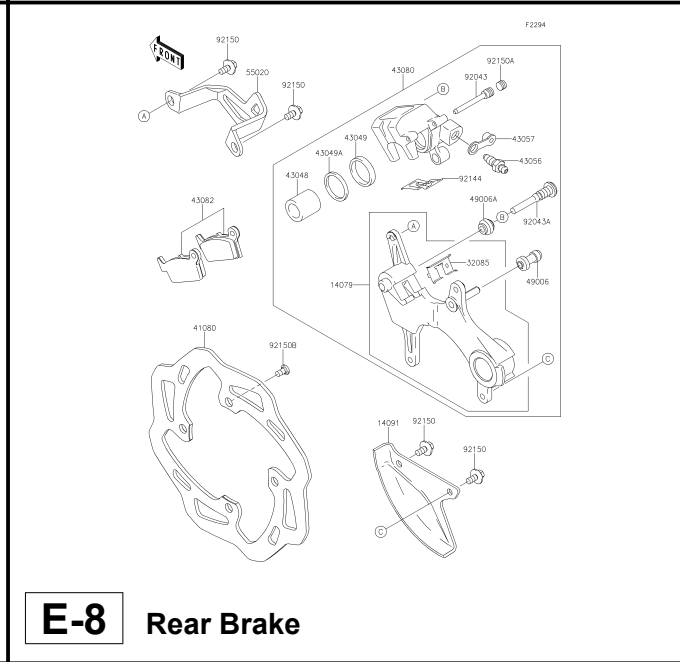
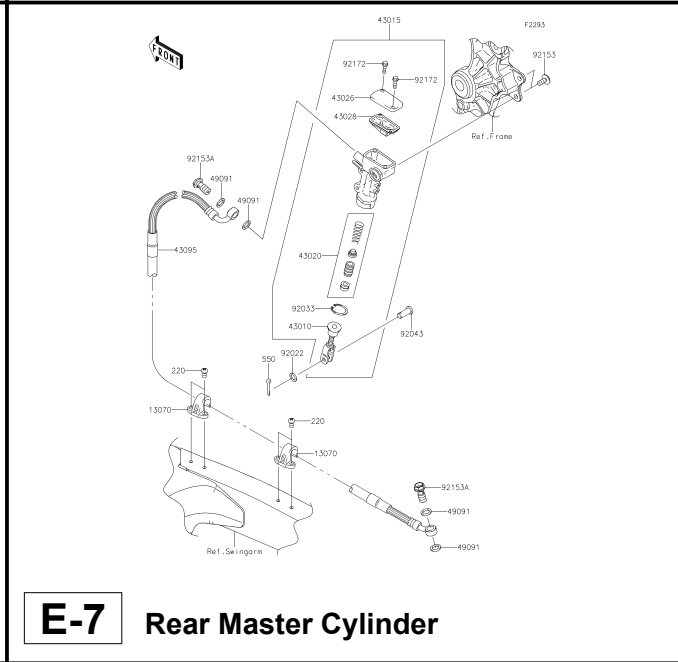
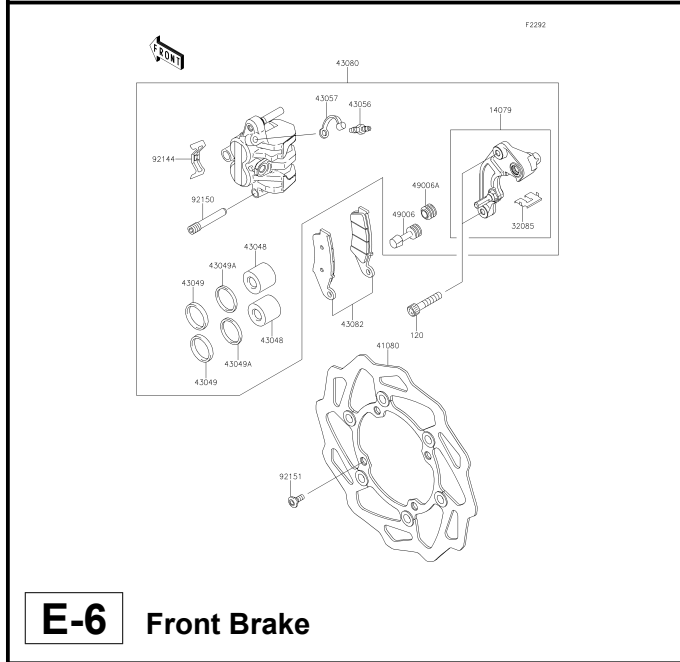
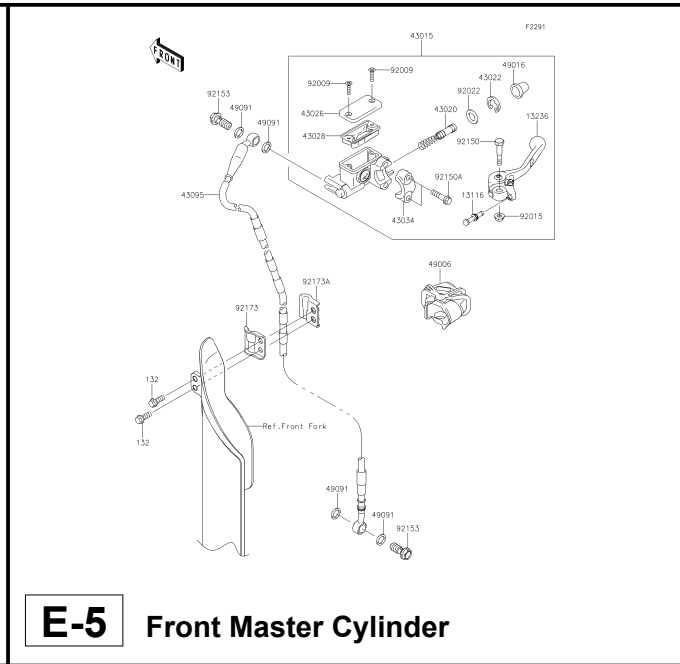
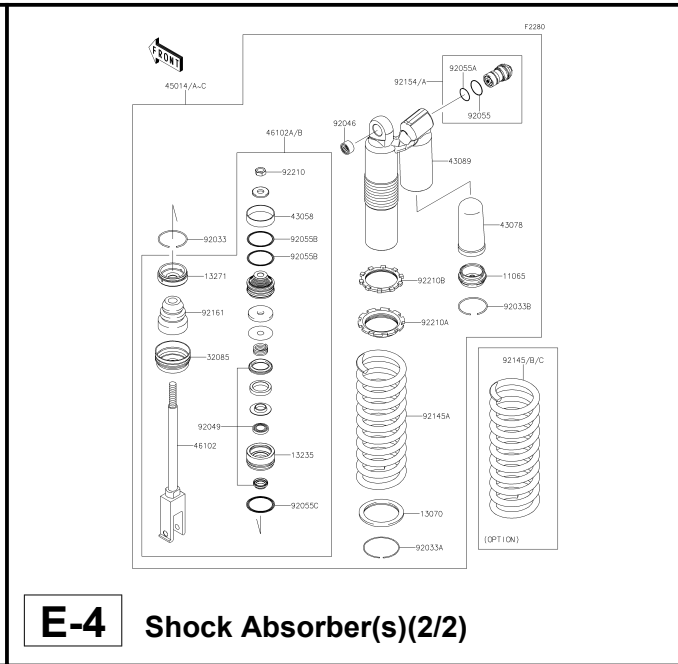
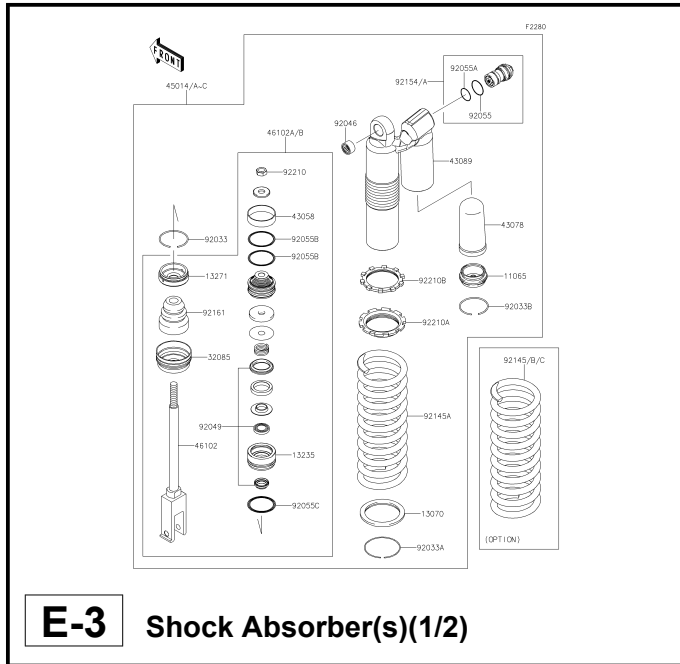
'15~'16 KX250 ZFF/ZGF Chassis

GRID NO.

E-1

This grid covers:

Pictorial Index



This catalog covers:

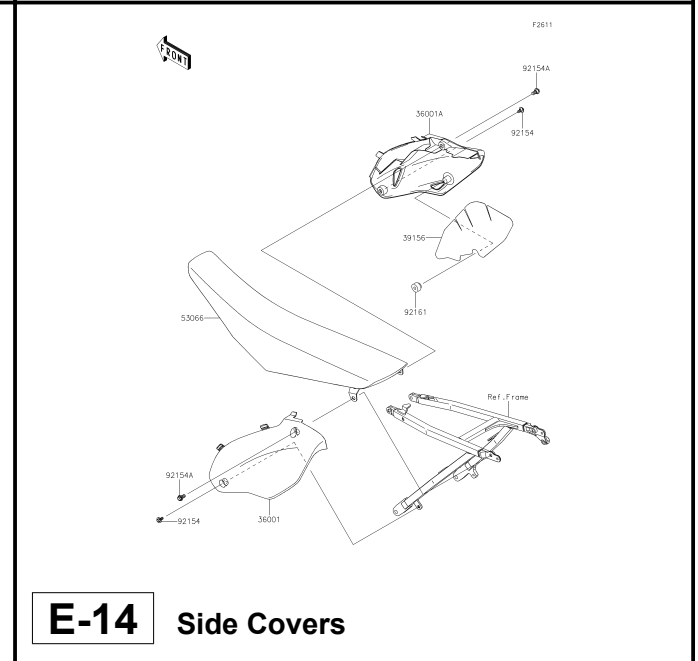
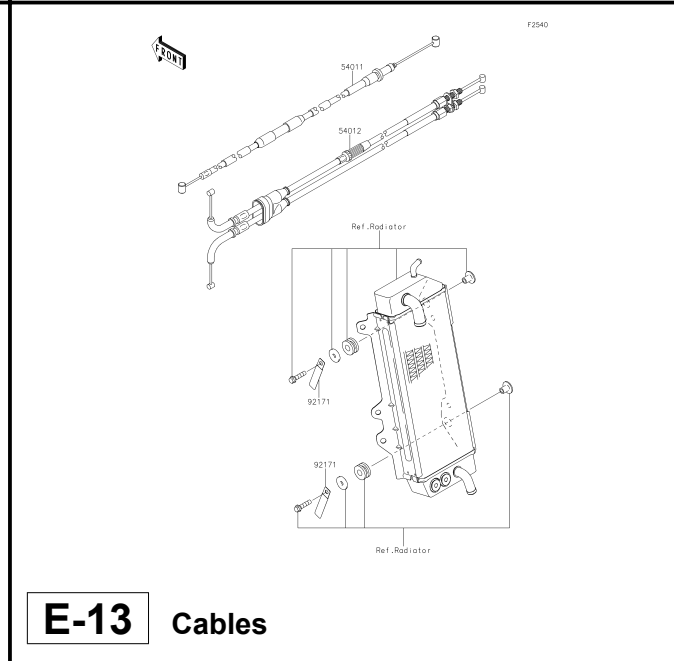
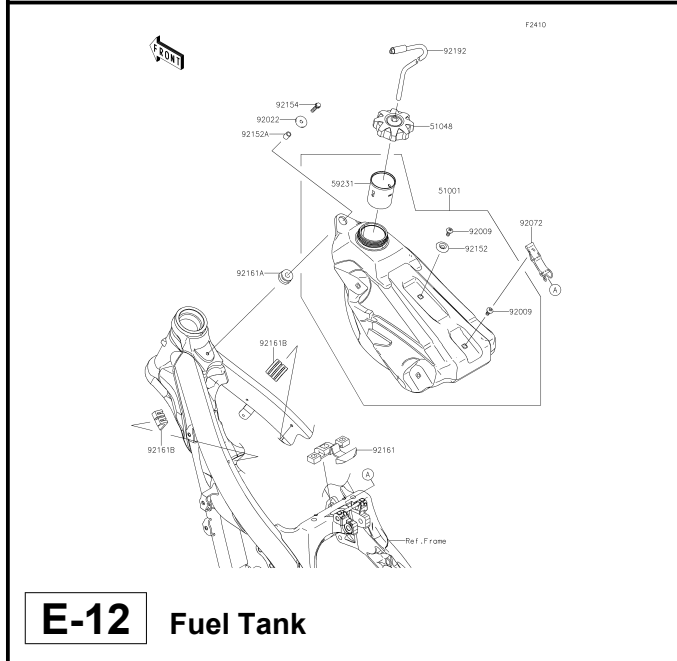
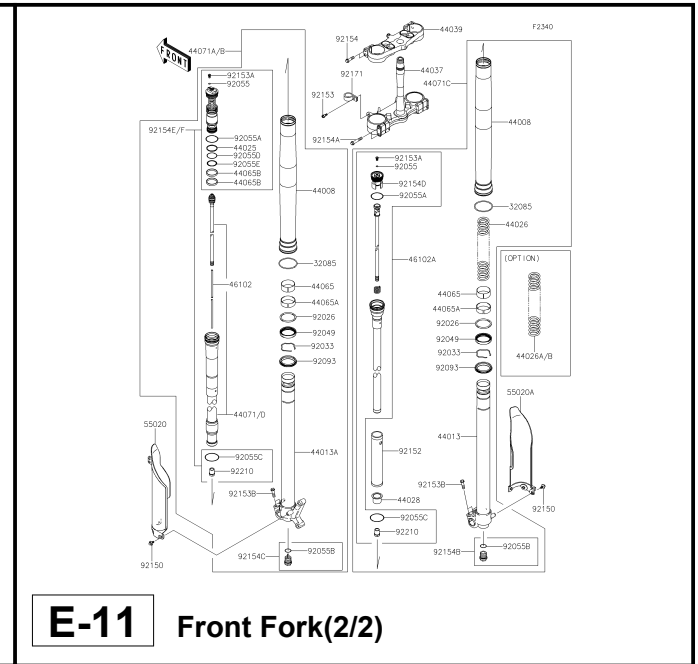
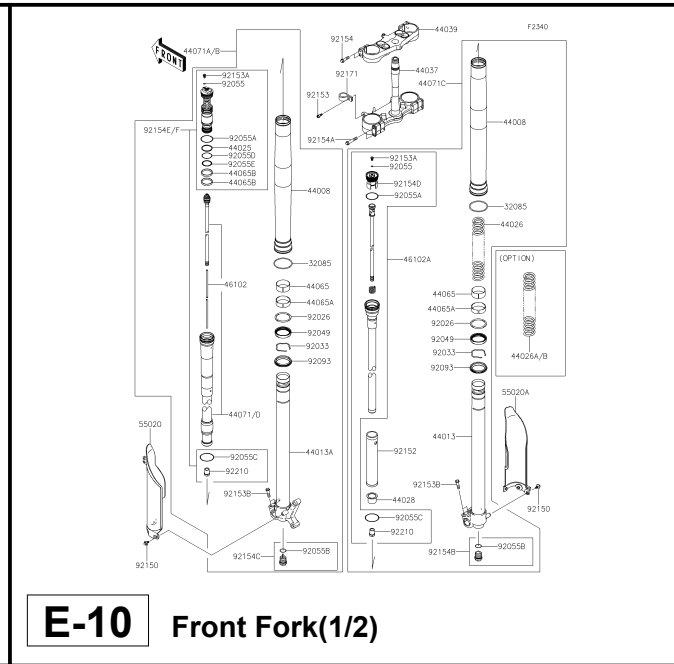
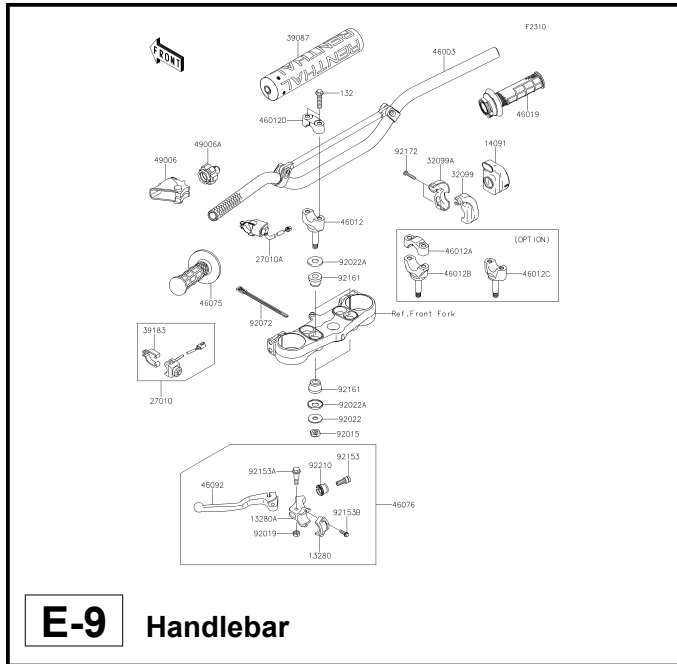
'15~'16 KX250 ZFF/ZGF Chassis

GRID NO.

E-2

This grid covers:

Pictorial Index



This catalog covers:

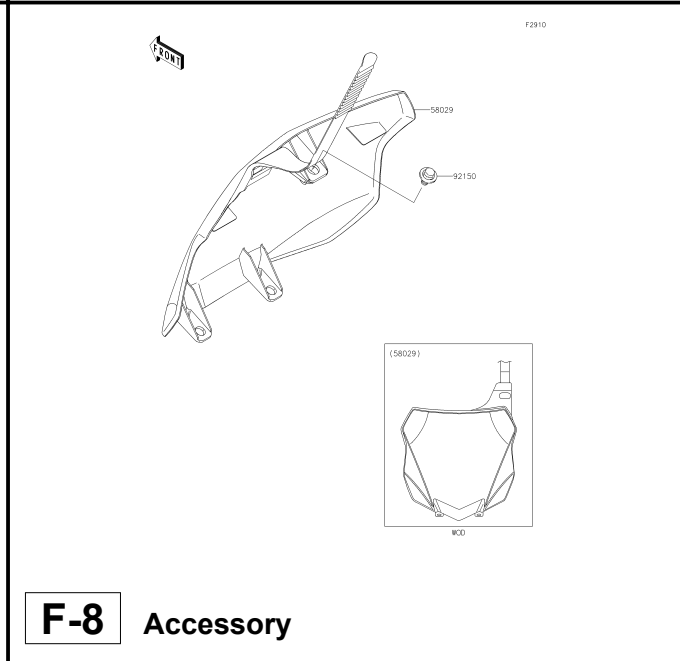
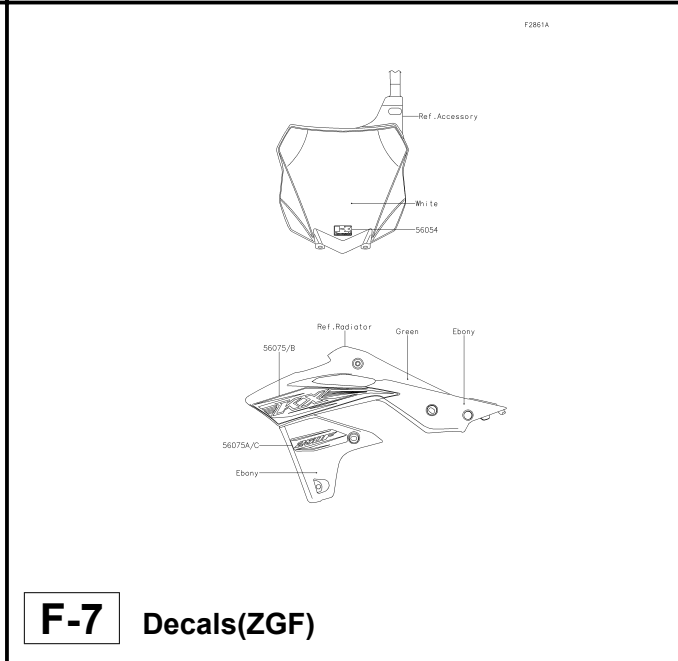
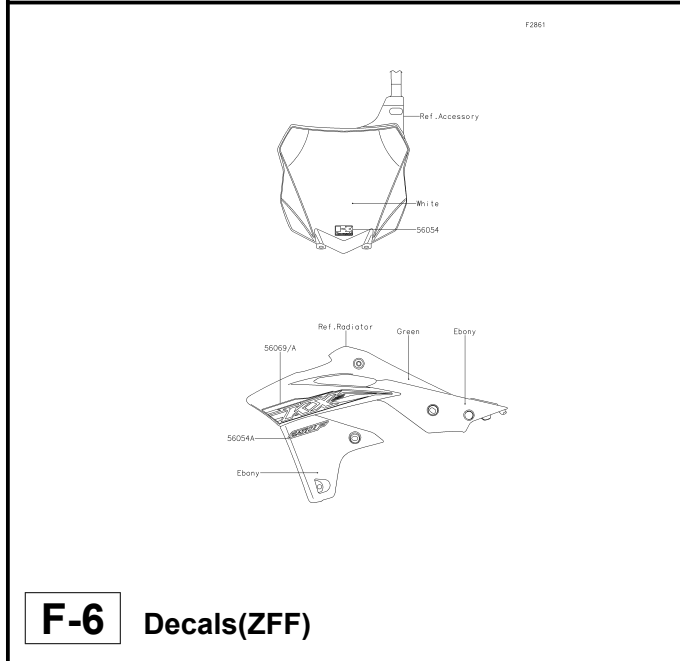
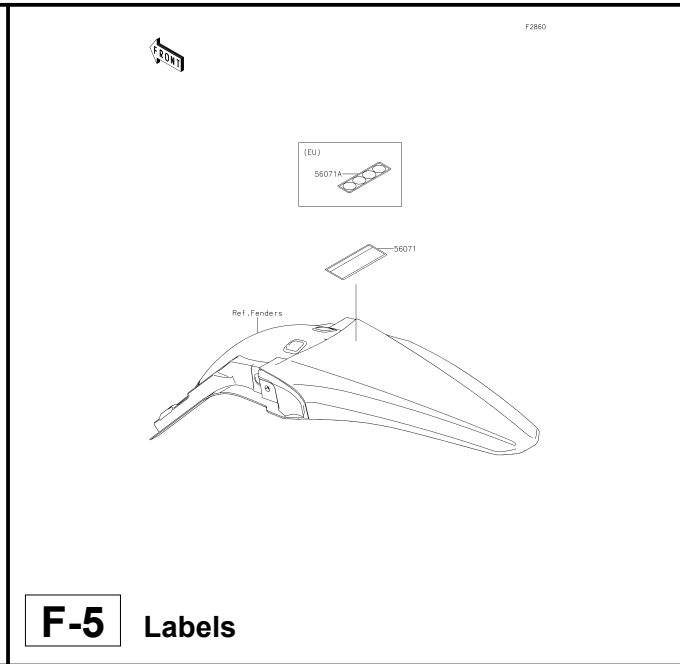
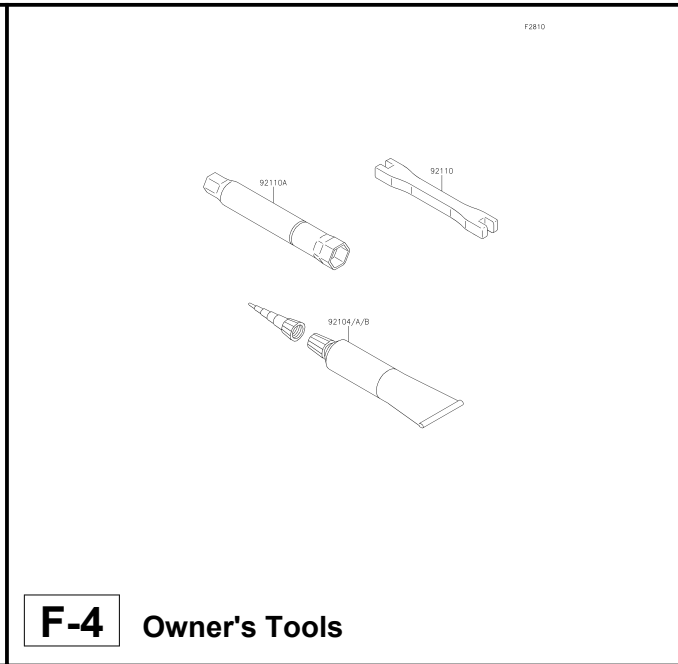
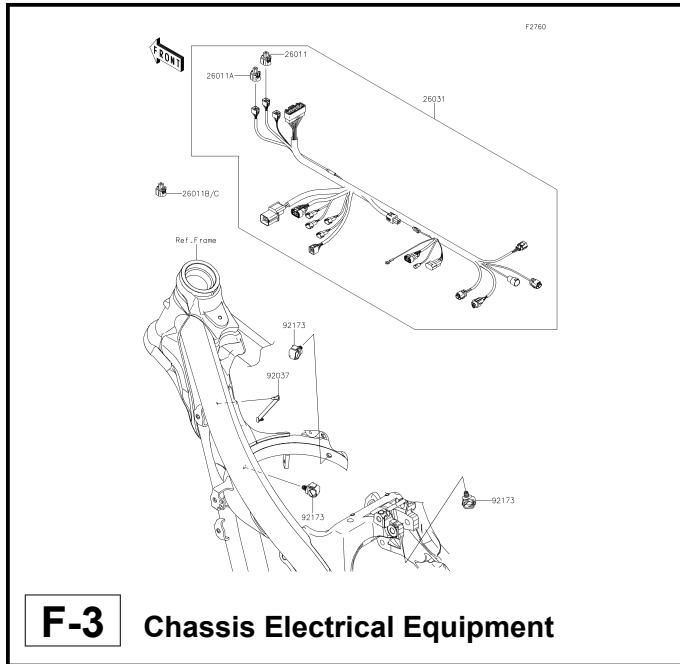
'15~'16 KX250 ZFF/ZGF Chassis

GRID NO.

F-1

This grid covers:

Pictorial Index



This catalog covers:

'15~'16 KX250 ZFF/ZGF Chassis

GRID NO.

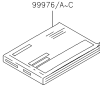
F-2

This grid covers:

Pictorial Index

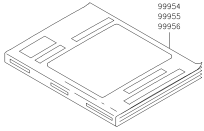
F2920

Owner's Manual
(Local Procurement)



Ref. No.	Language
	English
(99976/B)	French
	German
	Italian
(99976A/C)	Spanish
	Dutch

Service Manual



Ref. No.	Language
(99901)	Dutch
(99924)	English
(99953)	German
(99954)	French
(99955)	Italian
(99956)	Spanish

F-9

Manual(EU)

This catalog covers:

'15~'16 KX250 ZFF/ZGF Engine

GRID NO.

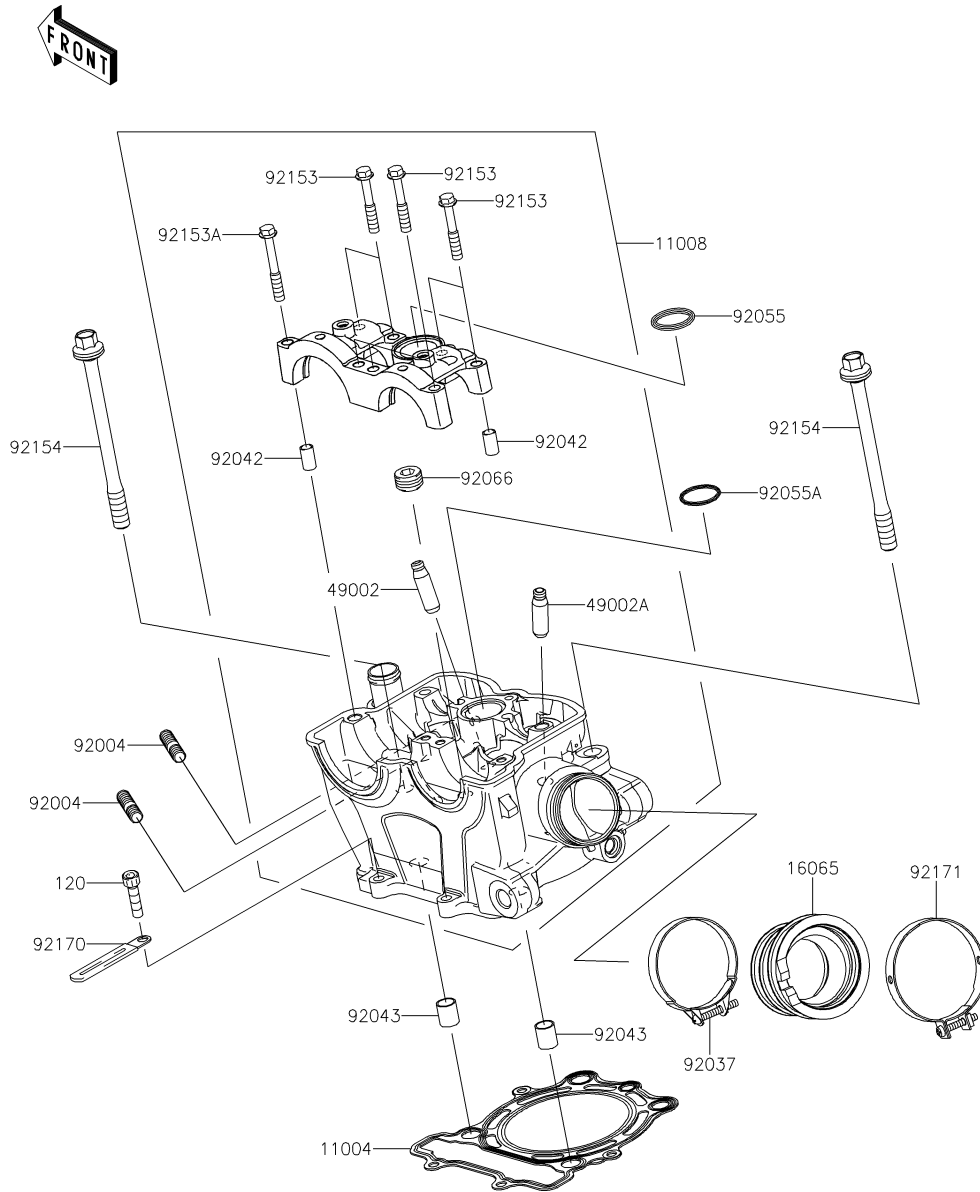
B-3

This grid covers:

Cylinder Head

E1111

Ref. No.	Part No.	Description	Spec Code	Quantity-KX250			
				'15	'16		
				ZFF	ZGF		
11004	11004-0738	GASKET-HEAD	1	1			
11008	11008-0842	HEAD-COMP-CYLINDER	1	1			
16065	16065-0074	HOLDER-CARBURETOR	1	1			
49002	49002-0003	GUIDE-VALVE	2	2			
49002A	49002-0016	GUIDE-VALVE	2	2			
92004	92004-0025	STUD,8X22	2	2			
92037	92037-1523	CLAMP	1	1			
92042	92042-007	PIN,DOWEL,6.3X8X14	2	2			
92043	92043-4009	PIN,10.1X12X14	2	2			
92055	92055-0150	RING-O,24.7X2.4	1	1			
92055A	92055-0729	RING-O,25X1.9X1.35	1	1			
92066	92066-3777	PLUG,10X16.6	1	1			
92153	92153-0338	BOLT,6X38	7	7			
92153A	92153-0339	BOLT,6X45	1	1			
92154	92154-1094	BOLT,FLANGED,10X122	4	4			
92170	92170-1514	CLAMP	2	2			
92171	92171-0857	CLAMP,62MM	1	1			
120	120CA0625	BOLT-SOCKET,6X25	2	2			



This catalog covers:

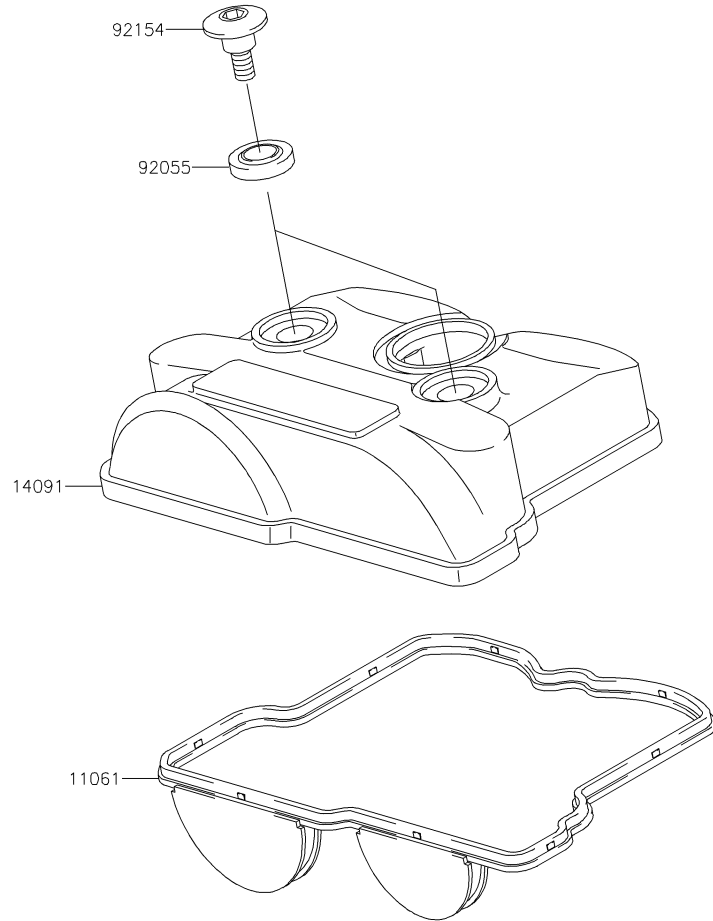
'15~'16 KX250 ZFF/ZGF Engine

GRID NO.

B-4

This grid covers:

Cylinder Head Cover



E1112

Ref. No.	Part No.	Description	Spec Code	Quantity-KX250			
				'15	'16		
				ZFF	ZGF		
11061	11061-0350	GASKET,CYLINDER HEAD	1	1			
14091	14091-1629	COVER,CYLINDER HEAD	1	1			
92055	92055-1352	RING-O,HEAD COVER BOLT	2	2			
92154	92154-0535	BOLT,SOCKET,6MM	2	2			

This catalog covers:

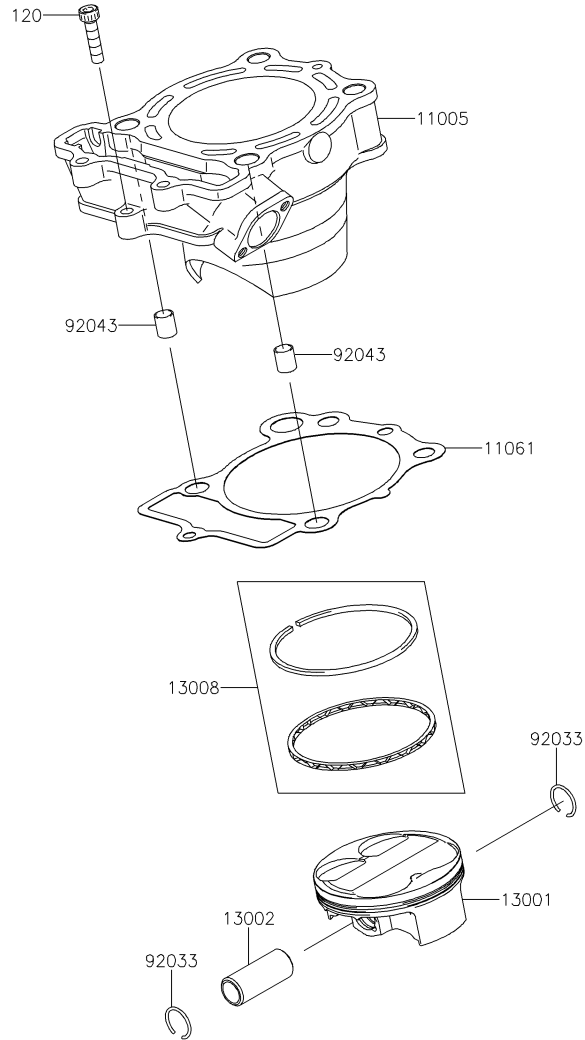
'15~'16 KX250 ZFF/ZGF Engine

GRID NO.

B-5

This grid covers:

Cylinder/Piston(s)



E1120

Ref. No.	Part No.	Description	Spec Code	Quantity-KX250			
				'15	'16		
				ZFF	ZGF		
11005	11005-0644	CYLINDER-ENGINE	1	1			
11061	11061-0357	GASKET,CYLINDER BASE	1	1			
13001	13001-0747	PISTON-ENGINE	1	1			
13002	13002-0041	PIN-PISTON	1	1			
13008	13008-0028	RING-SET-PISTON	1	1			
92033	92033-1161	RING-SNAP,PISTON PIN	2	2			
92043	92043-4009	PIN,10.1X12X14	2	2			
120	120CA0625	BOLT-SOCKET,6X25	1	1			

This catalog covers:

'15~'16 KX250 ZFF/ZGF Engine

GRID NO.

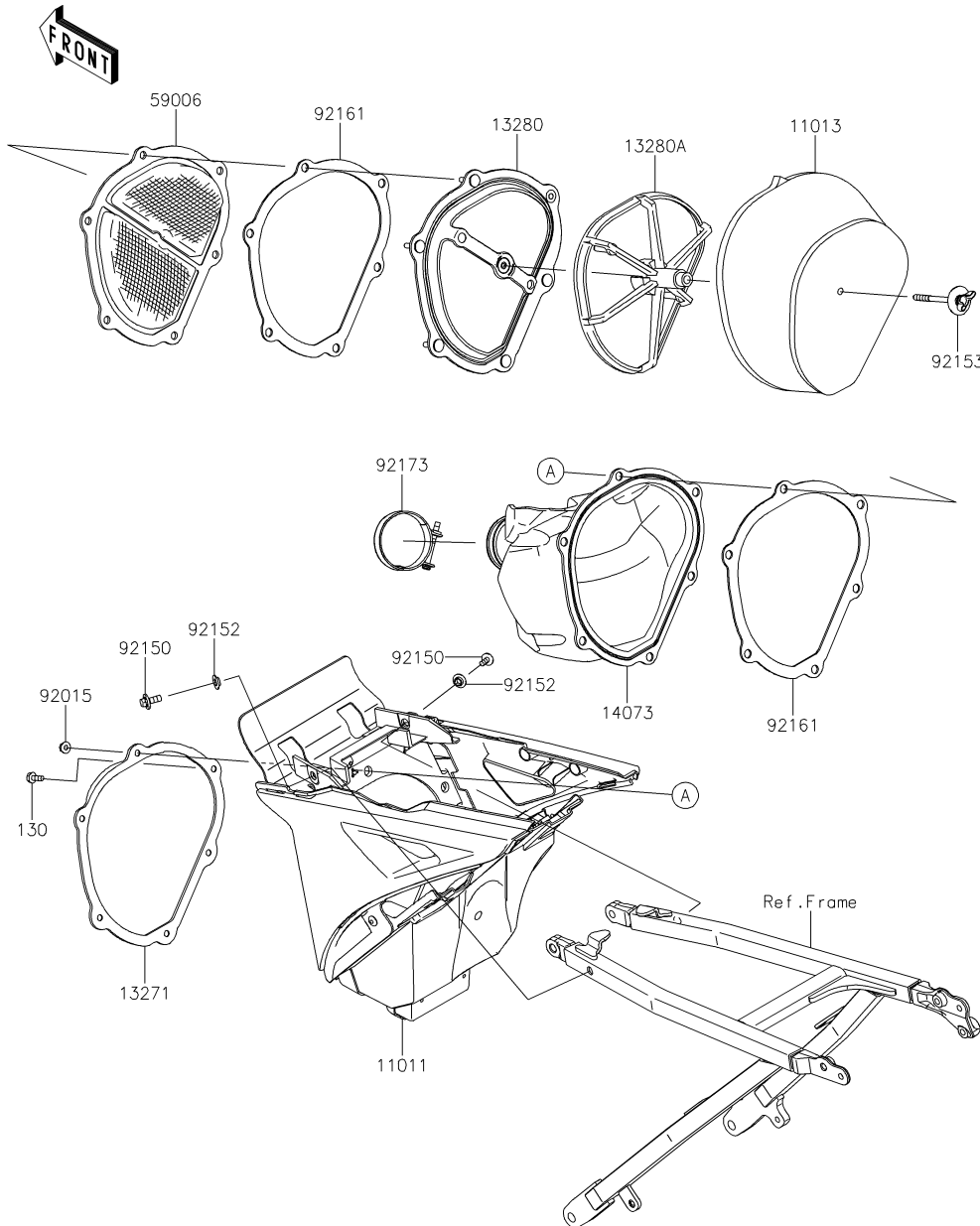
B-6

This grid covers:

Air Cleaner

E1130

Ref. No.	Part No.	Description	Spec Code	Quantity-KX250			
				'15	'16	ZFF	ZGF
11011	11011-0757-6C	CASE-AIR FILTER,EBONY		1	1		
11013	11013-0722	ELEMENT-AIR FILTER		1	1		
13271	13271-0730	PLATE,DUCT FITTING		1	1		
13280	13280-0170	HOLDER		1	1		
13280A	13280-0751	HOLDER,ELEMENT		1	1		
14073	14073-0756	DUCT		1	1		
59006	59006-0011	ARRESTER-FLAME		1	1		
92015	92015-1259	NUT,FLANGED,5MM		5	5		
92150	92150-1506	BOLT,FLANGED,6X16		2	2		
92152	92152-0275	COLLAR		2	2		
92153	92153-0623	BOLT,6X75		1	1		
92161	92161-0213	DAMPER		2	2		
92173	92173-1002	CLAMP,57.5MM		1	1		
130	130BA0512	BOLT-FLANGED,5X12		1	1		



This catalog covers:

'15~'16 KX250 ZFF/ZGF Engine

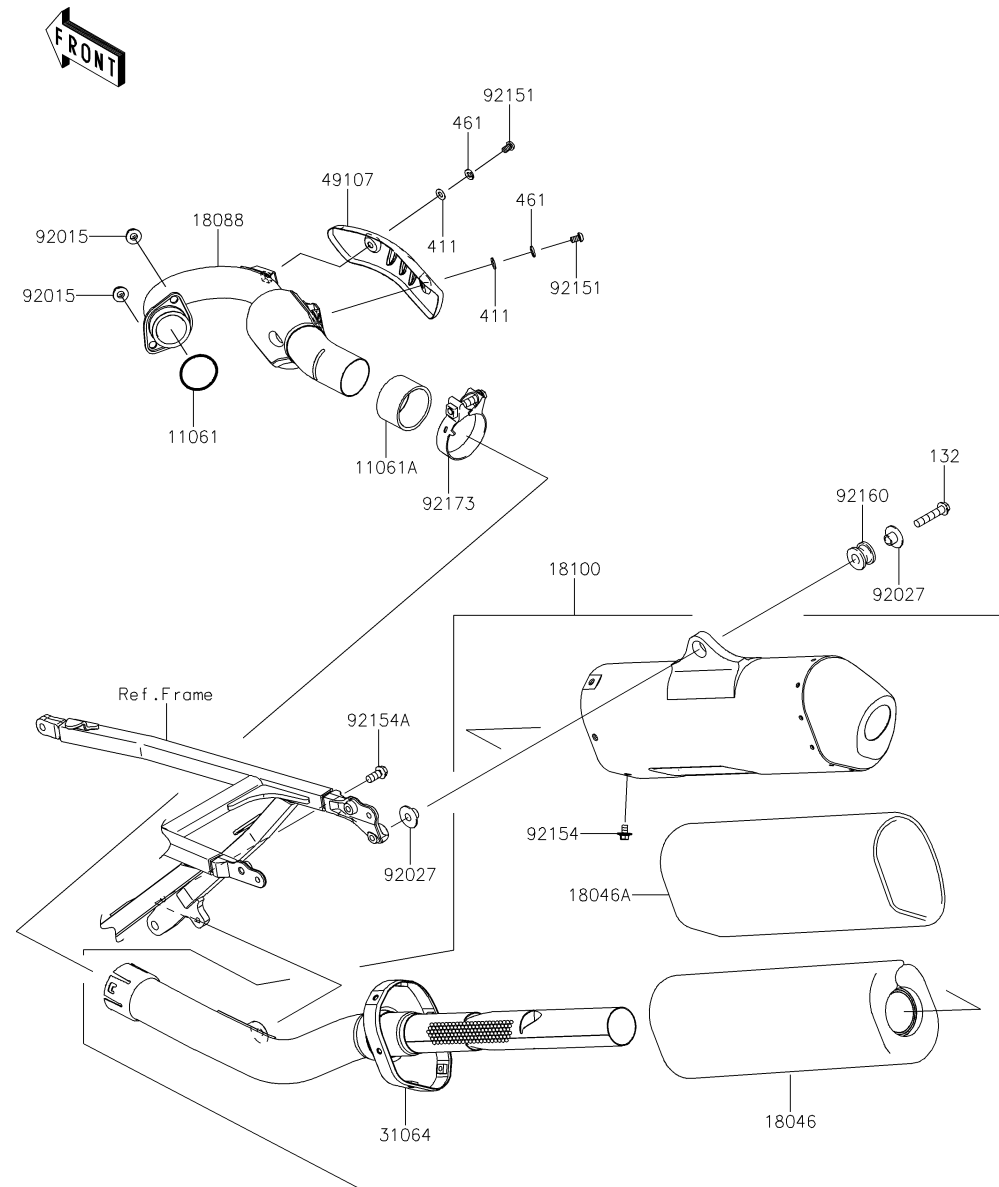
GRID NO.

B-7

This grid covers:

Muffler(s)

E1140



Ref. No.	Part No.	Description	Spec Code	Quantity-KX250			
				'15	'16		
				ZFF	ZGF		
11061	11061-0027	GASKET,EX PIPE	1	1			
11061A	11061-0434	GASKET,CONNECTING	1	1			
18046	18046-0231	WOOL	1	1			
18046A	18046-0579	WOOL	1	1			
18088	18088-0831	PIPE-EXHAUST	1	1			
18100	18100-0559	BODY-ASSY-MUFFLER	1	1			
31064	31064-0607	PIPE-COMP	1	1			
49107	49107-0752	COVER-EXHAUST PIPE	1	1			
92015	92015-1402	NUT,8MM	2	2			
92027	92027-1653	COLLAR,FLANGED,8.8X10.6	2	2			
92151	92151-1449	BOLT,SOCKET,6X10	2	2			
92154	92154-0396	BOLT,FLANGED,6X10	6	6			
92154A	92154-0519	BOLT,FLANGED,8X18	1	1			
92160	92160-1116	DAMPER,MUFFLER MOUNT	1	1			
92173	92173-0885	CLAMP,57MM	1	1			
132	132BA0840	BOLT-FLANGED-SMALL,8X40	1	1			
411	411S0600	WASHER-PLAIN,6MM	2	2			
461	461S0600	WASHER-SPRING,6MM	2	2			

This catalog covers:

'15~'16 KX250 ZFF/ZGF Engine

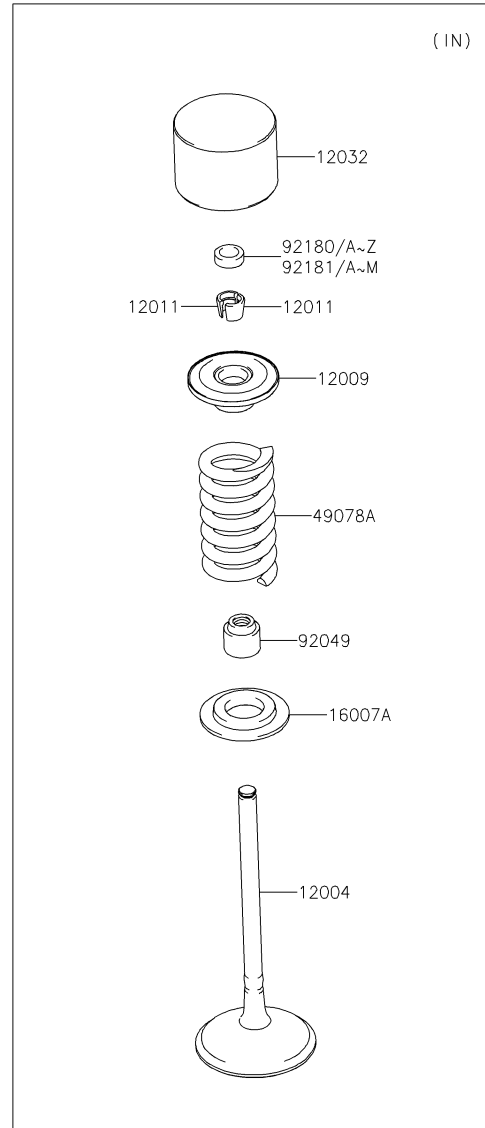
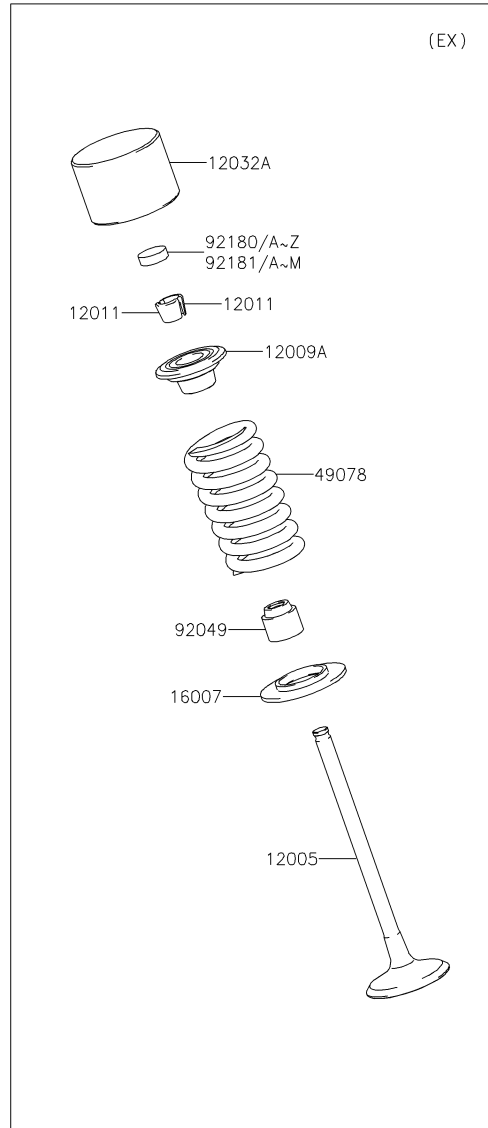
GRID NO.

B-8

This grid covers:

Valve(s)(1/2)

E1210



Ref. No.	Part No.	Description	Spec Code	Quantity-KX250			
				'15	'16		
				ZFF	ZGF		
12004	12004-0033	VALVE-INTAKE	2	2			
12005	12005-0002	VALVE-EXHAUST	2	2			
12009	12009-0010	RETAINER-VALVE SPRING	2	2			
12009A	12009-1073	RETAINER-VALVE SPRING	2	2			
12011	12011-1053	COLLET	8	8			
12032	12032-0005	TAPPET,IN	2	2			
12032A	12032-0006	TAPPET,EX	2	2			
16007	16007-0002	SEAT-SPRING	2	2			
16007A	16007-0029	SEAT-SPRING	2	2			
49078	49078-0003	SPRING-ENGINE VALVE	2	2			
49078A	49078-0080	SPRING-ENGINE VALVE	2	2			
92049	92049-1349	SEAL-OIL,VSB 4.3 7.5 5.3 8.3	4	4			
92180	92180-0167	SHIM,T=2.500	4	4			
92180A	92180-0168	SHIM,T=2.525	AR	AR			
92180B	92180-0169	SHIM,T=2.550	AR	AR			
92180C	92180-0170	SHIM,T=2.575	AR	AR			
92180D	92180-0171	SHIM,T=2.600	AR	AR			
92180E	92180-0172	SHIM,T=2.625	AR	AR			
92180F	92180-0173	SHIM,T=2.650	AR	AR			
92180G	92180-0174	SHIM,T=2.675	AR	AR			
92180H	92180-0175	SHIM,T=2.700	AR	AR			
92180I	92180-0176	SHIM,T=2.725	AR	AR			
92180J	92180-0177	SHIM,T=2.750	AR	AR			
92180K	92180-0178	SHIM,T=2.775	AR	AR			
92180L	92180-0179	SHIM,T=2.800	AR	AR			
92180M	92180-0180	SHIM,T=2.825	AR	AR			
92180N	92180-0181	SHIM,T=2.850	AR	AR			
92180O	92180-0182	SHIM,T=2.875	AR	AR			
92180P	92180-0183	SHIM,T=2.900	AR	AR			
92180Q	92180-0184	SHIM,T=2.925	AR	AR			
92180R	92180-0185	SHIM,T=2.950	AR	AR			
92180S	92180-0186	SHIM,T=2.975	AR	AR			
92180T	92180-0187	SHIM,T=3.000	AR	AR			
92180U	92180-0188	SHIM,T=3.025	AR	AR			
92180V	92180-0189	SHIM,T=3.050	AR	AR			
92180W	92180-0190	SHIM,T=3.075	AR	AR			
92180X	92180-0191	SHIM,T=3.100	AR	AR			
92180Y	92180-0192	SHIM,T=3.125	AR	AR			
92180Z	92180-0193	SHIM,T=3.150	AR	AR			
92181	92180-0194	SHIM,T=3.175	AR	AR			

This catalog covers:

'15~'16 KX250 ZFF/ZGF Engine

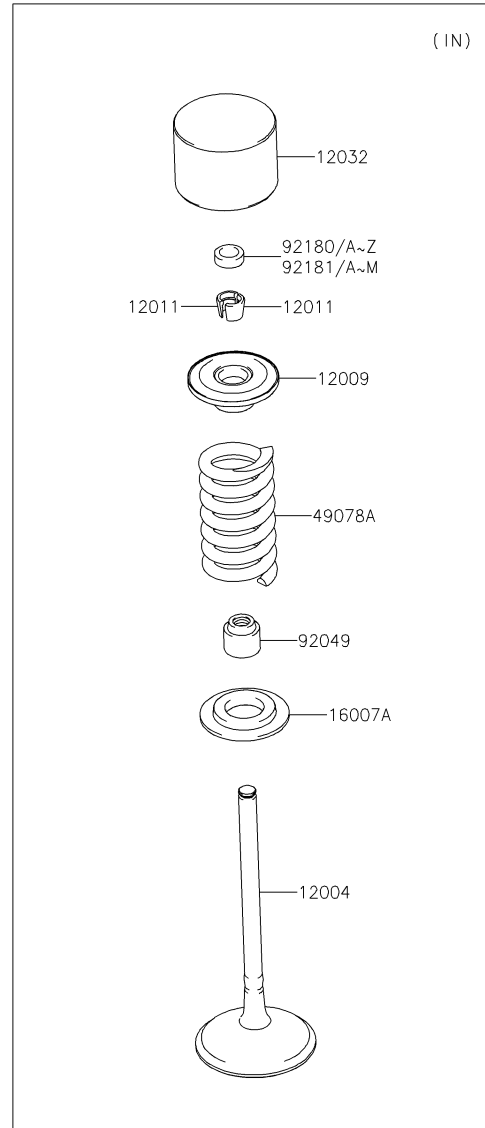
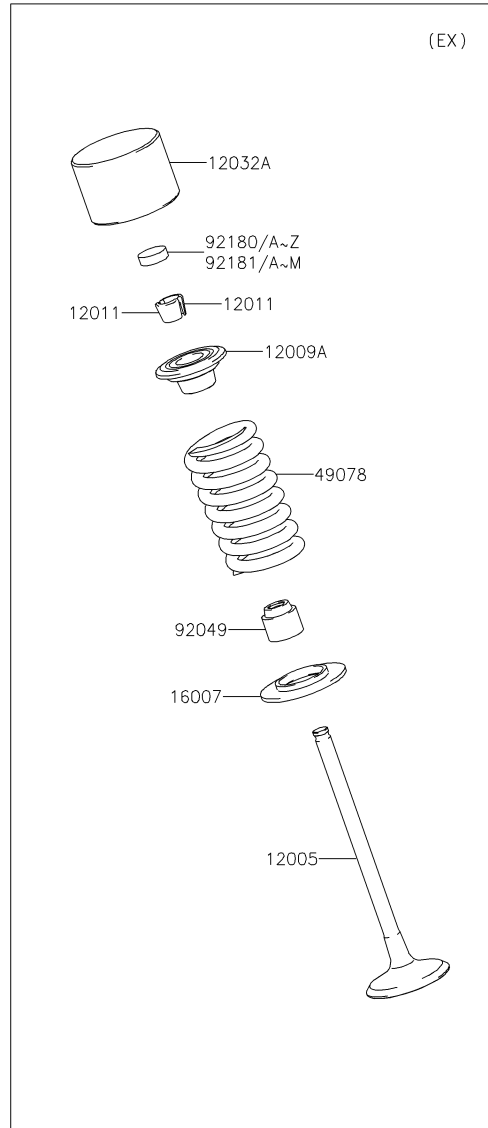
GRID NO.

B-9

This grid covers:

Valve(s)(2/2)

E1210



Ref. No.	Part No.	Description	Spec Code	Quantity-KX250			
				'15	'16		
				ZFF	ZGF		
92181A	92180-0195	SHIM,T=3.200	AR	AR			
92181B	92180-0196	SHIM,T=3.225	AR	AR			
92181C	92180-0197	SHIM,T=3.250	AR	AR			
92181D	92180-0198	SHIM,T=3.275	AR	AR			
92181E	92180-0199	SHIM,T=3.300	AR	AR			
92181F	92180-0200	SHIM,T=3.325	AR	AR			
92181G	92180-0201	SHIM,T=3.350	AR	AR			
92181H	92180-0202	SHIM,T=3.375	AR	AR			
92181I	92180-0203	SHIM,T=3.400	AR	AR			
92181J	92180-0204	SHIM,T=3.425	AR	AR			
92181K	92180-0205	SHIM,T=3.450	AR	AR			
92181L	92180-0206	SHIM,T=3.475	AR	AR			
92181M	92180-0207	SHIM,T=3.500	AR	AR			

This catalog covers:

'15~'16 KX250 ZFF/ZGF Engine

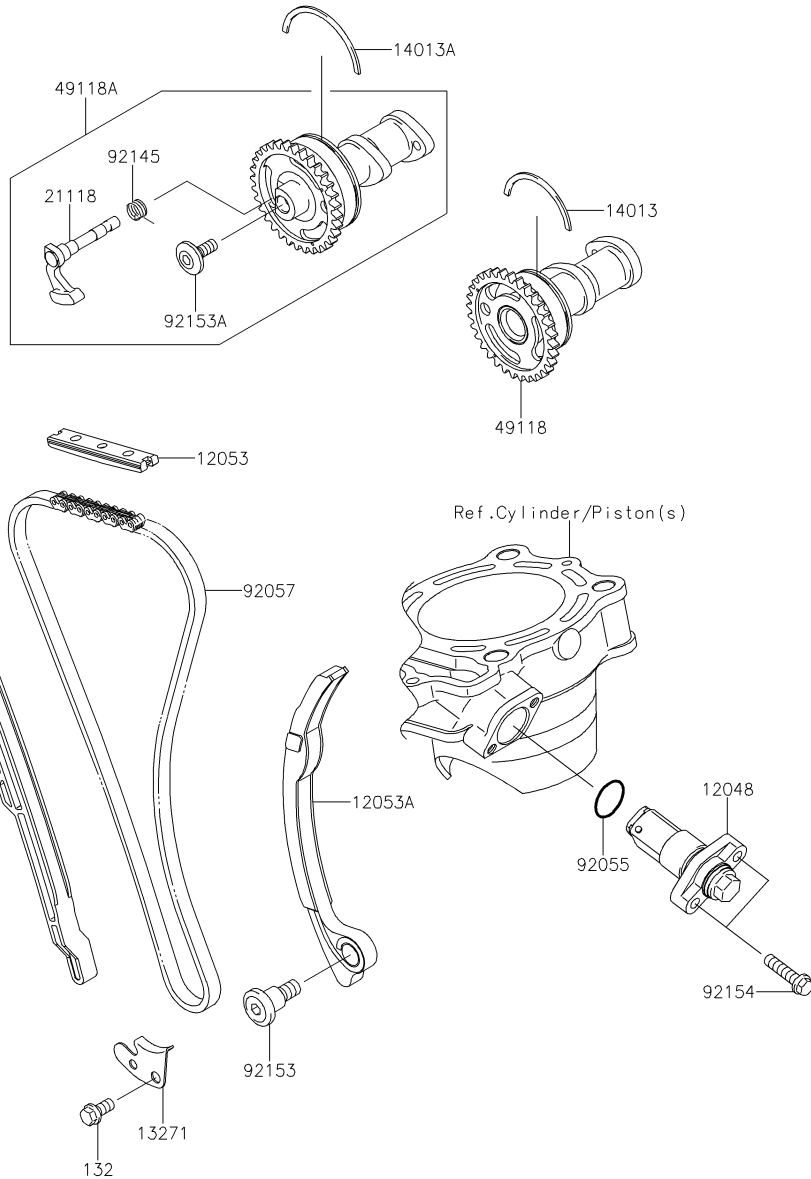
GRID NO.

B-10

This grid covers:

Camshaft(s)/Tensioner

E1230



Ref. No.	Part No.	Description	Spec Code	Quantity-KX250			
				'15	'16		
				ZFF	ZGF		
12048	12048-0056	TENSIONER-ASSY		1	1		
12053	12053-0009	GUIDE-CHAIN,UPP		1	1		
12053A	12053-0010	GUIDE-CHAIN,RR		1	1		
12053B	12053-0017	GUIDE-CHAIN,FR		1	1		
13271	13271-0808	PLATE,CAM CHAIN STOPPER		1	1		
14013	14013-0001	RING-POSITION		1	1		
14013A	14013-0002	RING-POSITION		1	1		
21118	21118-0016	DECOMPRESSOR		1	1		
49118	49118-0774	CAMSHAFT-COMP,INTAKE		1	1		
49118A	49118-0826	CAMSHAFT-COMP,EXHAUST		1	1		
92055	92055-086	RING-O,18.8X1.9		1	1		
92057	92057-0030	CHAIN,CAM,92RH2010-114		1	1		
92145	92145-0758	SPRING,DECOMP		1	1		
92153	92153-0572	BOLT,12X24.5		1	1		
92153A	92153-0918	BOLT,SOCKET,6X16		1	1		
92154	92154-0520	BOLT,FLANGED,6X25		2	2		
132	132BA0612	BOLT-FLANGED-SMALL,6X12		1	1		

This catalog covers:

'15~'16 KX250 ZFF/ZGF Engine

GRID NO.

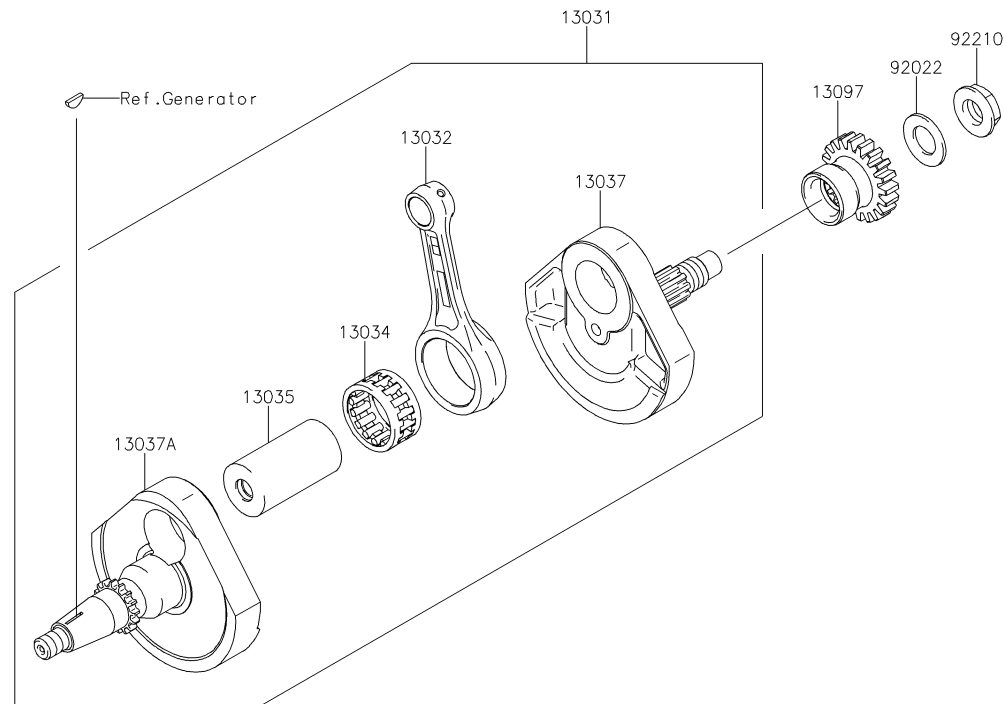
B-11

This grid covers:

Crankshaft



E1321



Ref. No.	Part No.	Description	Spec Code	Quantity-KX250			
				'15	'16		
				ZFF	ZGF		
13031	13031-0739	CRANKSHAFT-COMP	1	1			
13032	13032-0721	ROD-CONNECTING	1	1			
13034	13034-0019	BEARING-BIG END,B4	1	1			
13035	13035-0022	PIN-CRANK	1	1			
13037	13037-0155	CRANKSHAFT,RH	1	1			
13037A	13037-0732	CRANKSHAFT,LH	1	1			
13097	13097-0117	GEAR-PRIMARY SPUR,20T	1	1			
92022	92022-1356	WASHER,16.3X29X1.75	1	1			
92210	92210-0350	NUT,LEFT HANDED,16MM	1	1			

This catalog covers:

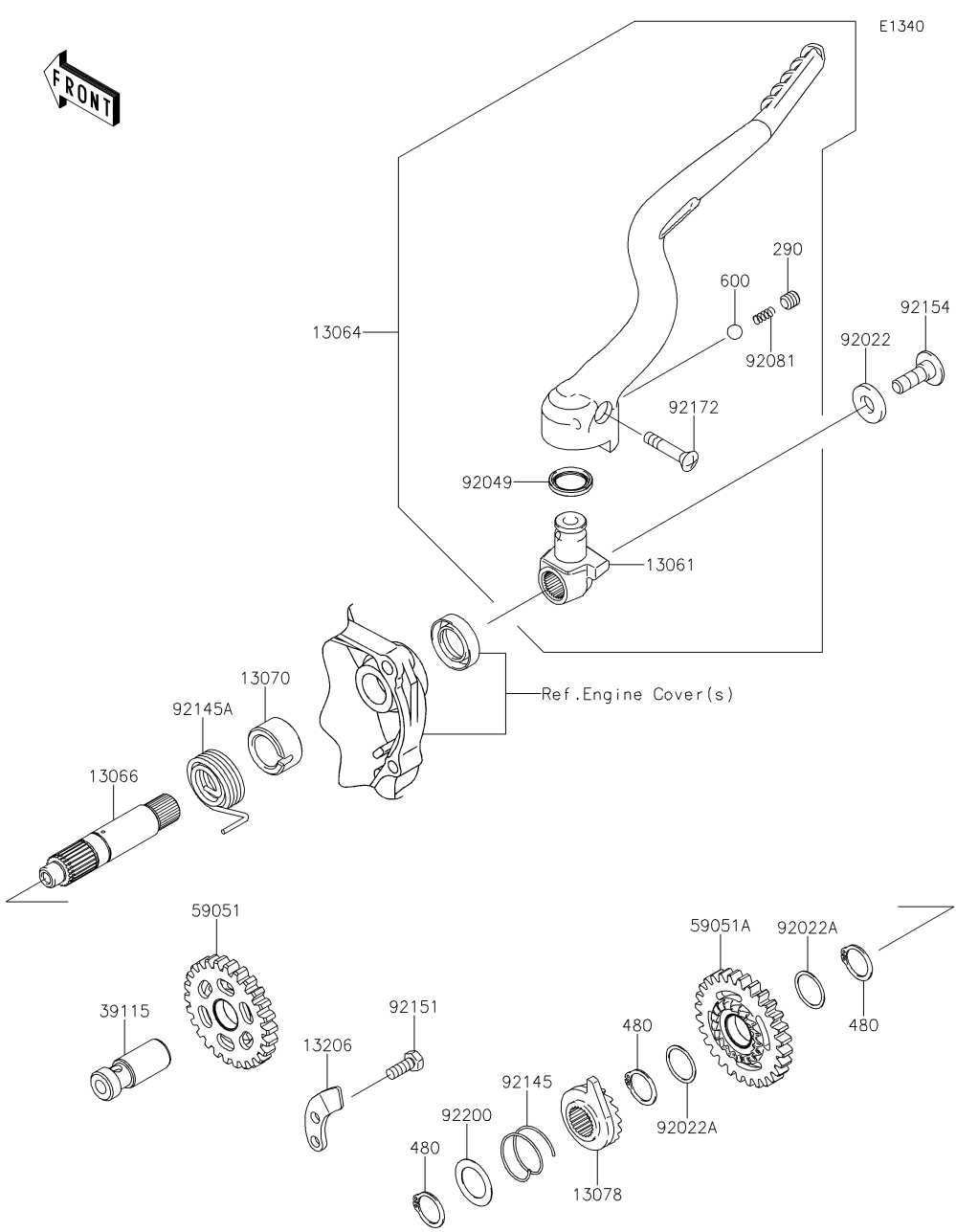
'15~'16 KX250 ZFF/ZGF Engine

GRID NO.

B-12

This grid covers:

Kickstarter Mechanism



Ref. No.	Part No.	Description	Spec Code	Quantity-KX250			
				'15	'16		
				ZFF	ZGF		
13061	13061-0357	BOSS	1	1			
13064	13064-0067	LEVER-ASSY-KICK	1	1			
13066	13066-0004	SHAFT-KICK	1	1			
13070	13070-0011	GUIDE	1	1			
13078	13078-0559	RATCHET	1	1			
13206	13206-0008	GUIDE-KICK	1	1			
39115	39115-0565	SHAFT-IDLER,KICK	1	1			
59051	59051-0089	GEAR-SPUR,KICK STARTER,26T	1	1			
59051A	59051-0723	GEAR-SPUR,KICK STARTER,28T	1	1			
92022	92022-1944	WASHER,10X22X3.2	1	1			
92022A	92022-271	WASHER,18.3X22X0.5	2	2			
92049	92049-1387	SEAL-OIL,KICK PEDAL	1	1			
92081	92081-020	SPRING,KICK PEDAL	1	1			
92145	92145-0499	SPRING	1	1			
92145A	92145-0811	SPRING	1	1			
92151	92151-1652	BOLT,6X16	1	1			
92154	92154-0898	BOLT,SOCKET,8X25	1	1			
92172	92172-0248	SCREW,6X33	1	1			
92200	92200-0378	WASHER,18.3X27.5X0.5	1	1			
290	290CA0808	SCREW-SET-SOCKET,8X8	1	1			
480	480J1800	CIRCLIP-TYPE-C,18MM	3	3			
600	600A0800	BALL-STEEL,1/4	1	1			

This catalog covers:

'15~'16 KX250 ZFF/ZGF Engine

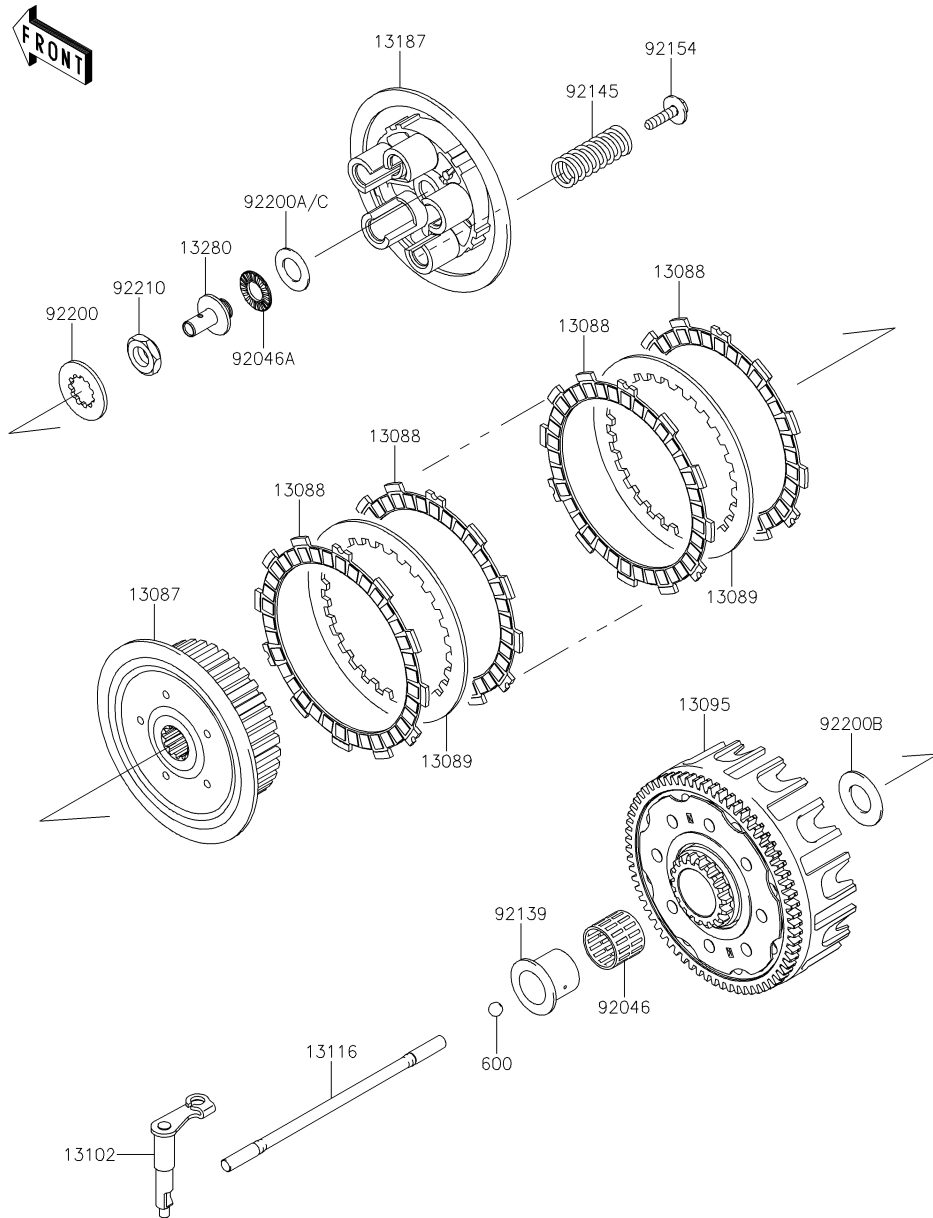
GRID NO.

B-13

This grid covers:

Clutch

E1350



Ref. No.	Part No.	Description	Spec Code	Quantity-KX250			
				'15	'16		
				ZFF	ZGF		
13087	13087-0017	HUB-CLUTCH	1	1			
13088	13088-0018	PLATE-FRICTION	8	8			
13089	13089-0005	PLATE-CLUTCH,T=1.6	7	7			
13095	13095-0107	HOUSING-COMP-CLUTCH	1	1			
13102	13102-0034	RELEASE-COMP-CLUTCH	1	1			
13116	13116-0037	ROD-PUSH	1	1			
13187	13187-1089	PLATE-CLUTCH OPERATING	1	1			
13280	13280-0339	HOLDER	1	1			
92046	92046-0016	BEARING-NEEDLE,WRS273124A	1	1			
92046A	92046-1190	BEARING-NEEDLE,FNTA-1326	1	1			
92139	92139-0014	BUSHING	1	1			
92145	92145-0351	SPRING,K=10.7N/MM	5	5			
92154	92154-0180	BOLT,6X25	5	5			
92200	92200-0027	WASHER,21.6X38X2.5	1	1			
92200A	92200-0045	WASHER,13.4X25X1.0	AR	AR			
92200B	92200-0098	WASHER,22.3X43X2	1	1			
92200C	92200-1548	WASHER,13.4X25.0X1.5	1	1			
92210	92210-1207	NUT,16MM	1	1			
600	600A1000	BALL-STEEL,5/16	1	1			

This catalog covers:

'15~'16 KX250 ZFF/ZGF Engine

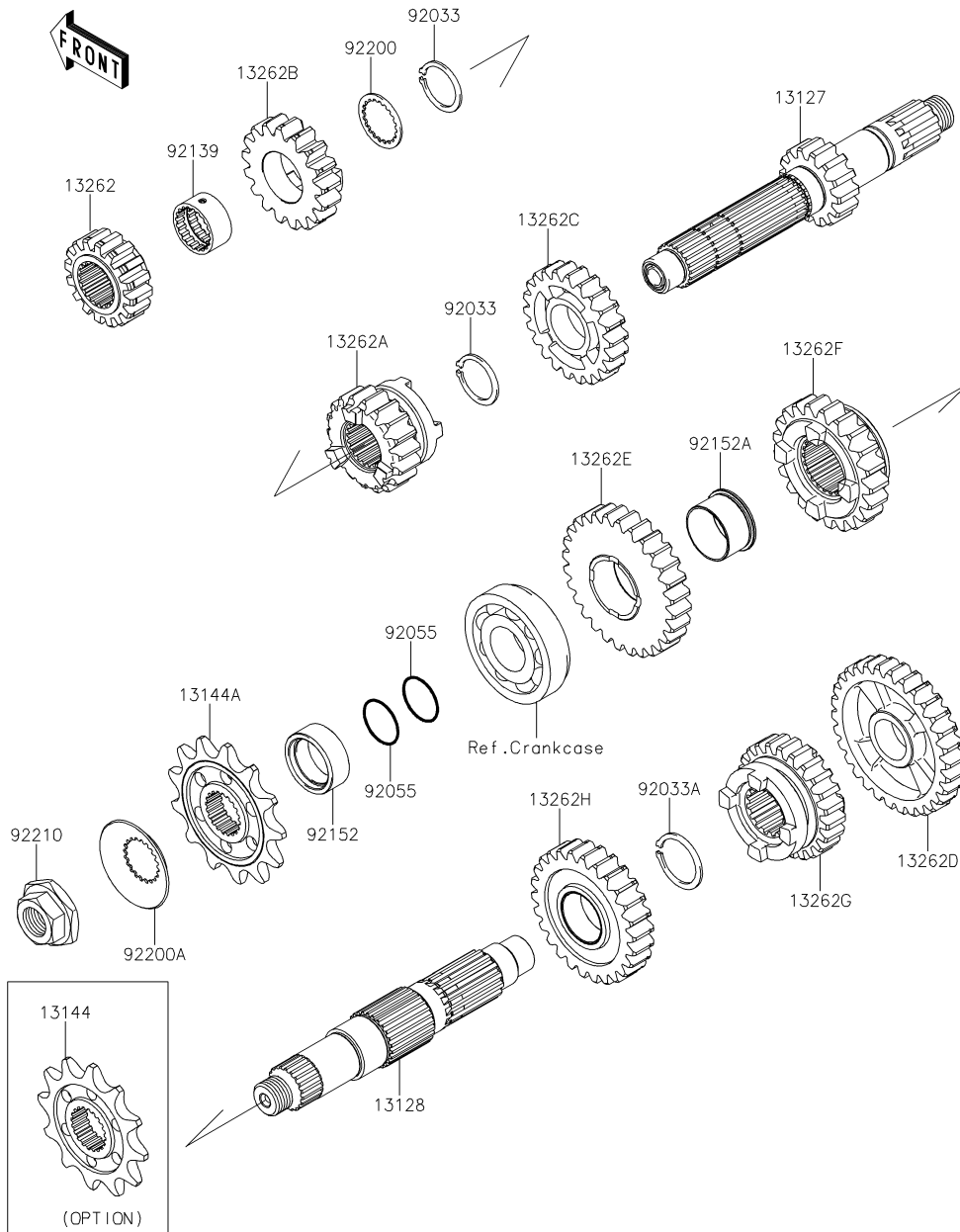
GRID NO.

B-14

This grid covers:

Transmission

E1361



Ref. No.	Part No.	Description	Spec Code	Quantity-KX250			
				'15	'16	ZFF	ZGF
13127	13127-0064	SHAFT-TRANSMISSION INPUT,14T		1	1		
13128	13128-0669	SHAFT-TRANSMISSION OUTPUT		1	1		
13144	13144-0036	SPROCKET-OUTPUT,12T		1	1		
	(OPTION)						
13144A	13144-0064	SPROCKET-OUTPUT,13T		1	1		
13262	13262-0839	GEAR,INPUT 2ND,16T		1	1		
13262A	13262-0930	GEAR,INPUT 3RD,18T		1	1		
13262B	13262-0931	GEAR,INPUT 4TH,17T		1	1		
13262C	13262-0932	GEAR,INPUT 5TH,22T		1	1		
13262D	13262-0933	GEAR,OUTPUT LOW,30T		1	1		
13262E	13262-0934	GEAR,OUTPUT 2ND,28T		1	1		
13262F	13262-0936	GEAR,OUTPUT 4TH,21T		1	1		
13262G	13262-0937	GEAR,OUTPUT 5TH,23T		1	1		
13262H	13262-1108	GEAR,OUTPUT 3RD,26T		1	1		
92033	92033-0057	RING-SNAP		2	2		
92033A	92033-1270	RING-SNAP		1	1		
92055	92055-055	RING-O,19.5X1.5		2	2		
92139	92139-0241	BUSHING		1	1		
92152	92152-0683	COLLAR,22X30X11.4		1	1		
92152A	92152-1606	COLLAR		1	1		
92200	92200-0442	WASHER,22X26.6X1		1	1		
92200A	92200-0723	WASHER,20X46		1	1		
92210	92210-0721	NUT,16MM		1	1		

This catalog covers:

'15~'16 KX250 ZFF/ZGF Engine

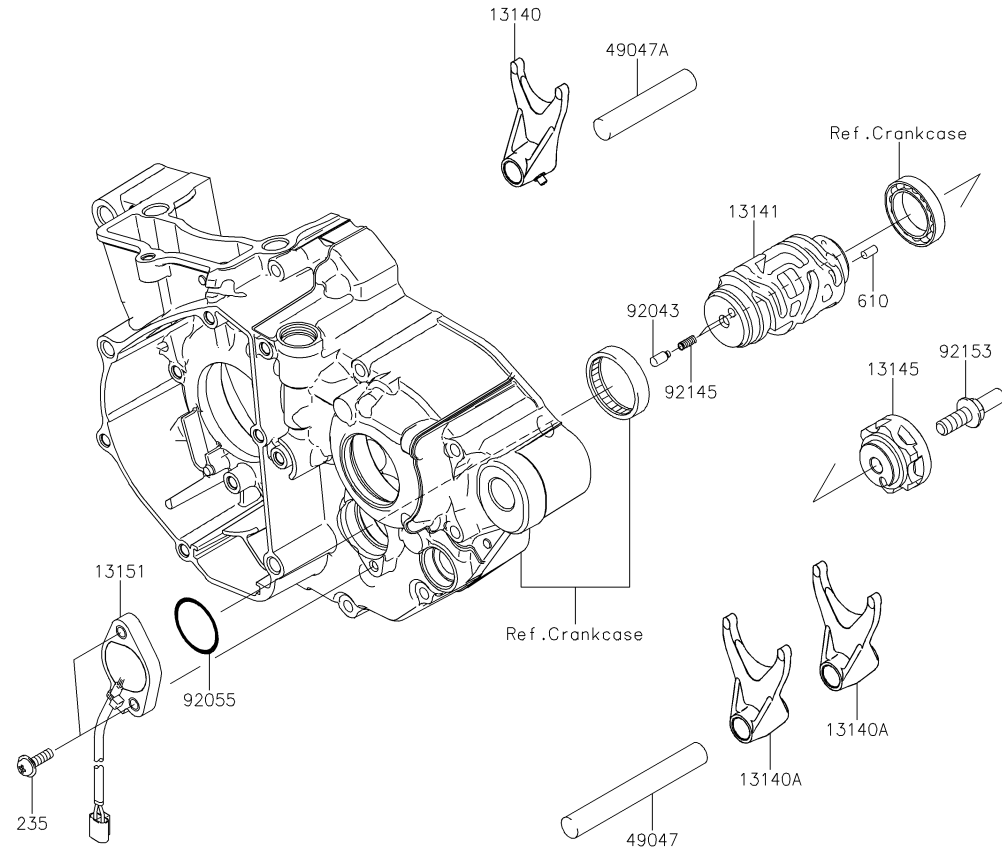
GRID NO.

C-3

This grid covers:

Gear Change Drum/Shift Fork(s)

E1362



Ref. No.	Part No.	Description	Spec Code	Quantity-KX250			
				'15	'16		
				ZFF	ZGF		
13140	13140-0056	FORK-SHIFT,IN		1	1		
13140A	13140-0057	FORK-SHIFT,OUT		2	2		
13141	13141-0587	DRUM-CHANGE		1	1		
13145	13145-0031	CAM-CHANGE DRUM		1	1		
13151	13151-0560	SWITCH-COMP,NEUTRAL		1	1		
49047	49047-0620	ROD-SHIFT,OUTPUT,L=94.5		1	1		
49047A	49047-0621	ROD-SHIFT,INPUT,L=63		1	1		
92043	92043-1654	PIN		2	2		
92055	92055-091	RING-O,27.7X2.4		1	1		
92145	92145-1414	SPRING		2	2		
92153	92153-1735	BOLT		1	1		
235	235AB0516	SCREW-PAN-WP-CROS,5X16		2	2		
610	610A0408	ROLLER,4X8		1	1		

This catalog covers:

'15~'16 KX250 ZFF/ZGF Engine

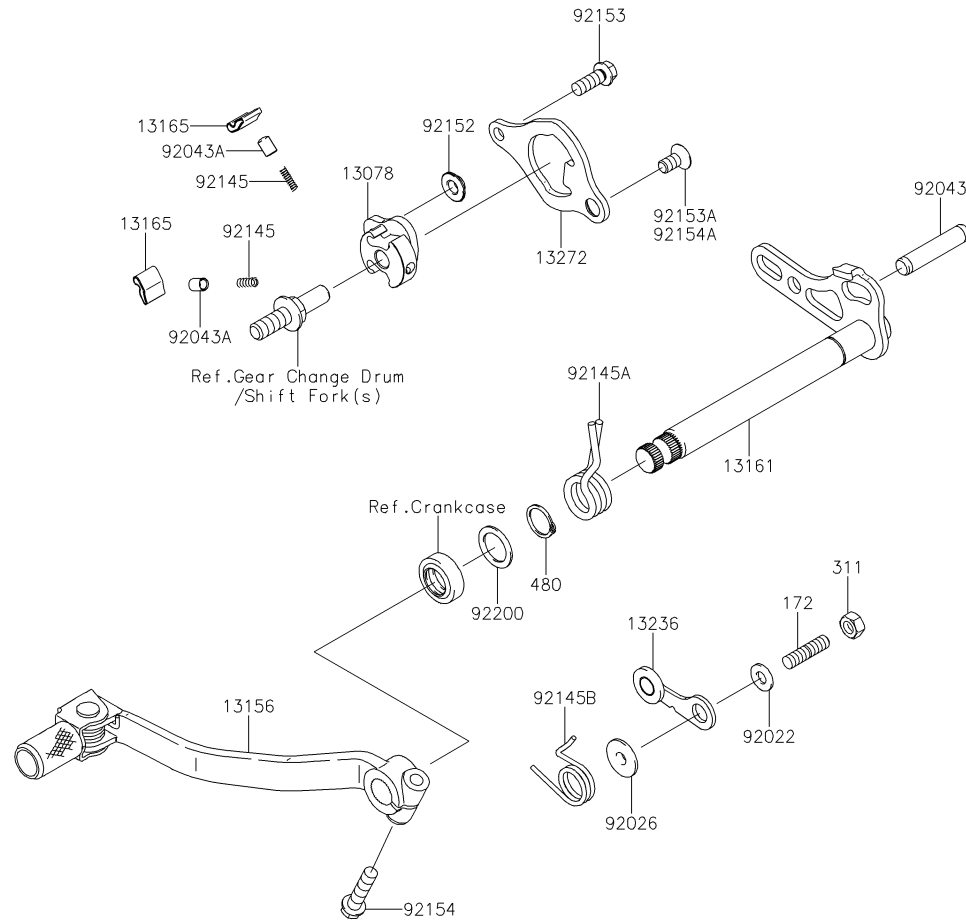
GRID NO.

C-4

This grid covers:

Gear Change Mechanism

E1370



Ref. No.	Part No.	Description	Spec Code	Quantity-KX250			
				'15	'16		
				ZFF	ZGF		
13078	13078-0029	RATCHET	1	1			
13156	13156-0124	LEVER-CHANGE,PEDAL	1	1			
13161	13161-0077	LEVER-COMP-CHANGE SHAFT	1	1			
13165	13165-0018	PAWL	2	2			
13236	13236-0161	LEVER-COMP,POSITION	1	1			
13272	13272-0438	PLATE	1	1			
92022	92022-1827	WASHER,6X12.8X1.2	1	1			
92026	92026-1217	SPACER	1	1			
92043	92043-0017	PIN,8X39	1	1			
92043A	92043-1676	PIN,PLUNGER	2	2			
92145	92145-0453	SPRING	2	2			
92145A	92145-0608	SPRING,RETURN	1	1			
92145B	92145-0843	SPRING,POSITION	1	1			
92152	92152-1414	COLLAR	1	1			
92153	92153-0825	BOLT,6X16	1	1			
92153A	92153-1669	BOLT,TORX,6X8.7	1				
92154	92154-0520	BOLT,FLANGED,6X25	1	1			
92154A	92154-1621	BOLT,TORX	1	1			
92200	92200-0029	WASHER,14.2X20X1	1	1			
172	172BA0612	BOLT-STUD,6X12	1	1			
311	311BA0600	NUT-HEX,6MM	1	1			
480	480J1400	CIRCLIP-TYPE-C,14MM	1	1			

This catalog covers:

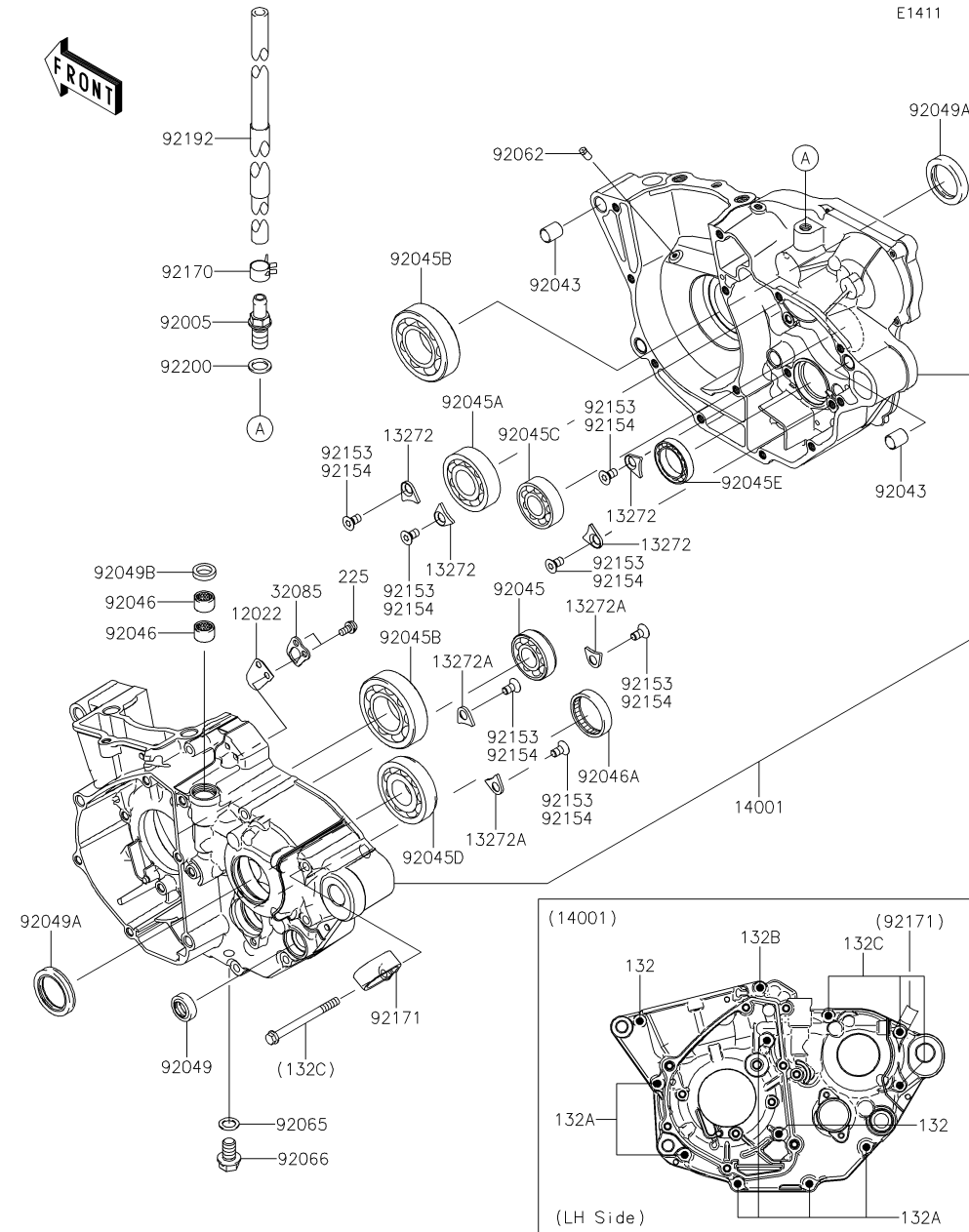
'15~'16 KX250 ZFF/ZGF Engine

GRID NO.

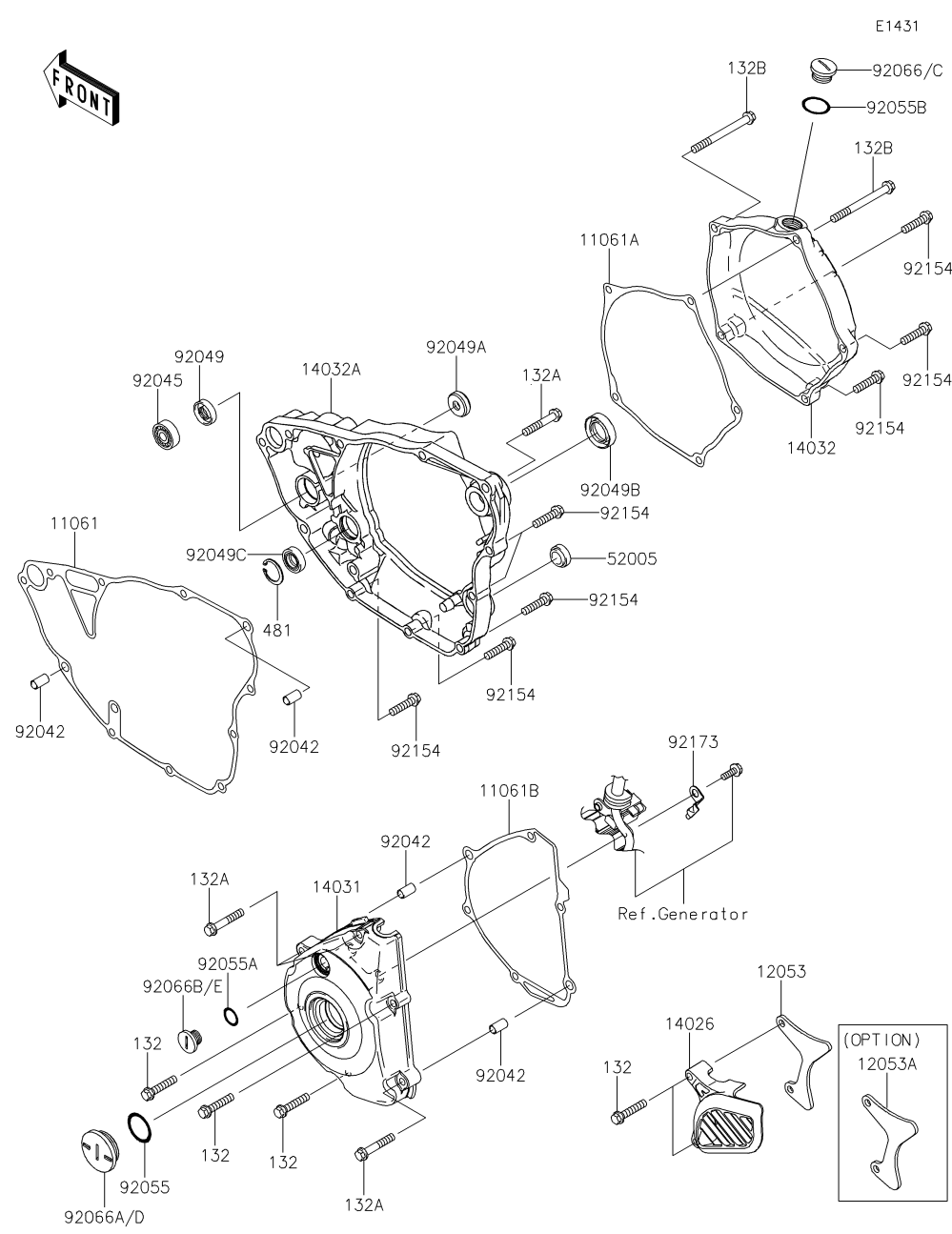
C-5

This grid covers:

Crankcase



Ref. No.	Part No.	Description	Spec Code	Quantity-KX250			
				'15	'16		
				ZFF	ZGF		
12022	12022-0006	VALVE-REED	1	1			
13272	13272-0488	PLATE	4	4			
13272A	13272-0670	PLATE	3	3			
14001	14001-0639	SET-CRANKCASE	1	1			
32085	32085-0011	STOPPER,VALVE-REED	1	1			
92005	92005-0747	FITTING,BREATHER	1	1			
92043	92043-4009	PIN,10.1X12X14	2	2			
92045	92045-0013	BEARING-BALL,3TM-SX0391ZC3	1	1			
92045A	92045-0051	BEARING-BALL,22X50X14	1	1			
92045B	92045-0052	BEARING-BALL,CRANKSHAFT MAIN	2	2			
92045C	92045-1287	BEARING-BALL,TMB203LU	1	1			
92045D	92045-1335	BEARING-BALL,SX04A81C3	1	1			
92045E	92045-1432	BEARING-BALL,6805JRZ	1	1			
92046	92046-0034	BEARING-NEEDLE,HK1210FM	2	2			
92046A	92046-1221	BEARING-NEEDLE,7E-HKS33X38X8	1	1			
92049	92049-0015	SEAL-OIL,SD2 14 22 6-1 NS	1	1			
92049A	92049-0030	SEAL-OIL,TC 30 40 7	2	2			
92049B	92049-1262	SEAL-OIL,AG0353-F0	1	1			
92062	92062-0023	NOZZLE	1	1			
92065	92065-058	GASKET,10.5X16X1	1	1			
92066	92066-1437	PLUG,DRAIN	1	1			
92153	92153-1669	BOLT,TORX,6X8.7	7				
92154	92154-1621	BOLT,TORX		7			
92170	92170-1938	CLAMP	1	1			
92171	92171-0594	CLAMP	1	1			
92192	92192-1184	TUBE,BREATHER	1	1			
92200	92200-0087	WASHER,12.5X18X1.6	1	1			
132	132BA0650	BOLT-FLANGED-SMALL,6X50	2	2			
132A	132BA0660	BOLT-FLANGED-SMALL,6X60	6	6			
132B	132BA0665	BOLT-FLANGED-SMALL,6X65	1	1			
132C	132BA0670	BOLT-FLANGED-SMALL,6X70	3	3			
225	225AA0510	SCREW-PAN-WSP-CROS,5X10	2	2			



Ref. No.	Part No.	Description	Spec Code	Quantity-KX250			
				'15	'16		
				ZFF	ZGF		
11061	11061-0361	GASKET,INNER	1	1			
11061A	11061-0362	GASKET,OUTER	1	1			
11061B	11061-0778	GASKET,GENERATOR	1	1			
12053	12053-0129	GUIDE-CHAIN,13T	1	1			
12053A	12053-0130	GUIDE-CHAIN,12T	1	1			
	(OPTION)						
14026	14026-0090	COVER-CHAIN	1	1			
14031	14031-0569	COVER-GENERATOR	1	1			
14032	14032-0567	COVER-CLUTCH,OUTER	1	1			
14032A	14032-0599	COVER-CLUTCH,INNER	1	1			
52005	52005-1009	GAUGE,OIL LEVEL	1	1			
92042	92042-007	PIN,DOWEL,6.3X8X14	4	4			
92045	92045-1123	BEARING-BALL,#628	1	1			
92049	92049-0060	SEAL-OIL,SD 8 22 5 ZS	1	1			
92049A	92049-0061	SEAL-OIL	1	1			
92049B	92049-013	SEAL-OIL,SB18307	1	1			
92049C	92049-0762	SEAL-OIL,TVCX13X22X5.5	1	1			
92055	92055-091	RING-O,27.7X2.4	1	1			
92055A	92055-1011	RING-O,13.0X1.9	1	1			
92055B	92055-1146	RING-O,20X2	1	1			
92066	92066-0788	PLUG,18X9	1				
92066A	92066-0789	PLUG,30X8	1				
92066B	92066-0790	PLUG,12X9.1	1				
92066C	92066-0833	PLUG,18X9				1	
92066D	92066-0834	PLUG,30X8				1	
92066E	92066-0835	PLUG,12X9.1				1	
92154	92154-0520	BOLT,FLANGED,6X25	8	8			
92173	92173-0058	CLAMP,HARNES	1	1			
132	132BA0630	BOLT-FLANGED-SMALL,6X30	5	5			
132A	132BA0635	BOLT-FLANGED-SMALL,6X35	4	4			
132B	132BA0665	BOLT-FLANGED-SMALL,6X65	2	2			
481	481J2200	CIRCLIP-TYPE-C,22MM	1	1			

This catalog covers:

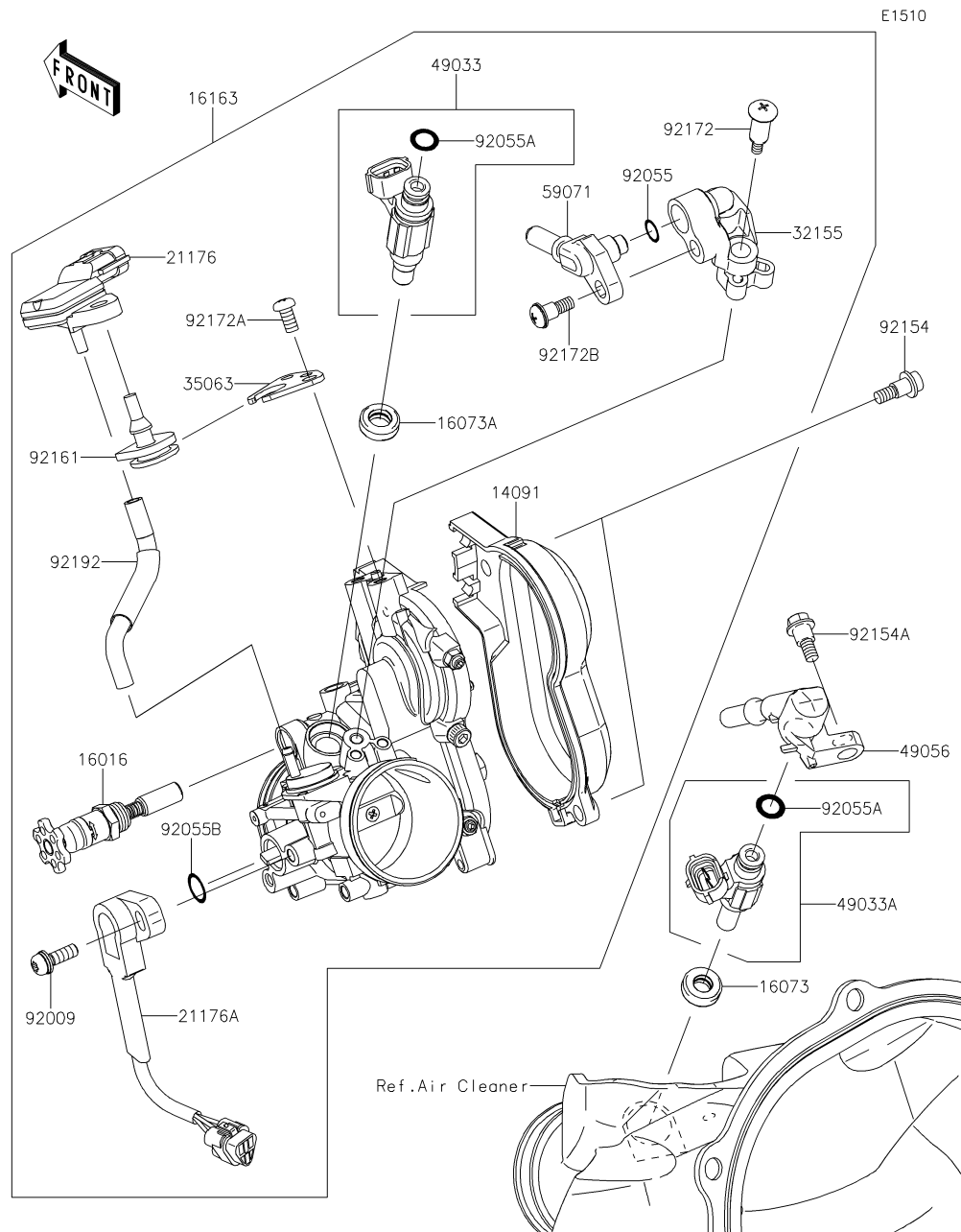
'15~'16 KX250 ZFF/ZGF Engine

GRID NO.

C-7

This grid covers:

Throttle



Ref. No.	Part No.	Description	Spec Code	Quantity-KX250			
				'15	'16		
				ZFF	ZGF		
14091	14091-1815	COVER,THROTTLE DUST	1	1			
16016	16016-0025	PLUNGER	1	1			
16073	16073-0129	INSULATOR	1	1			
16073A	16073-3707	INSULATOR	1	1			
16163	16163-0826	THROTTLE-ASSY	1	1			
21176	21176-0058	SENSOR,PRESSURE	1	1			
21176A	21176-0129	SENSOR,THROTTLE POSITION	1	1			
32155	32155-0112	PIPE,FUEL	1	1			
35063	35063-0647	STAY	1	1			
49033	49033-0033	NOZZLE-INJECTION	1	1			
49033A	49033-0560	NOZZLE-INJECTION	1	1			
49056	49056-0036	PIPE-INJECTION	1	1			
59071	59071-0049	JOINT	1	1			
92009	92009-1981	SCREW,THROTTLE SENSOR	1	1			
92055	92055-0064	RING-O	1	1			
92055A	92055-0124	RING-O,INJECTION NOZZLE	2	2			
92055B	92055-1671	RING-O	1	1			
92154	92154-0243	BOLT	2	2			
92154A	92154-1021	BOLT,FLANGED,5X8	1	1			
92161	92161-0041	DAMPER	1	1			
92172	92172-0064	SCREW,PIPE INJECTION	1	1			
92172A	92172-0438	SCREW	2	2			
92172B	92172-0776	SCREW	1	1			
92192	92192-0823	TUBE	1	1			

This catalog covers:

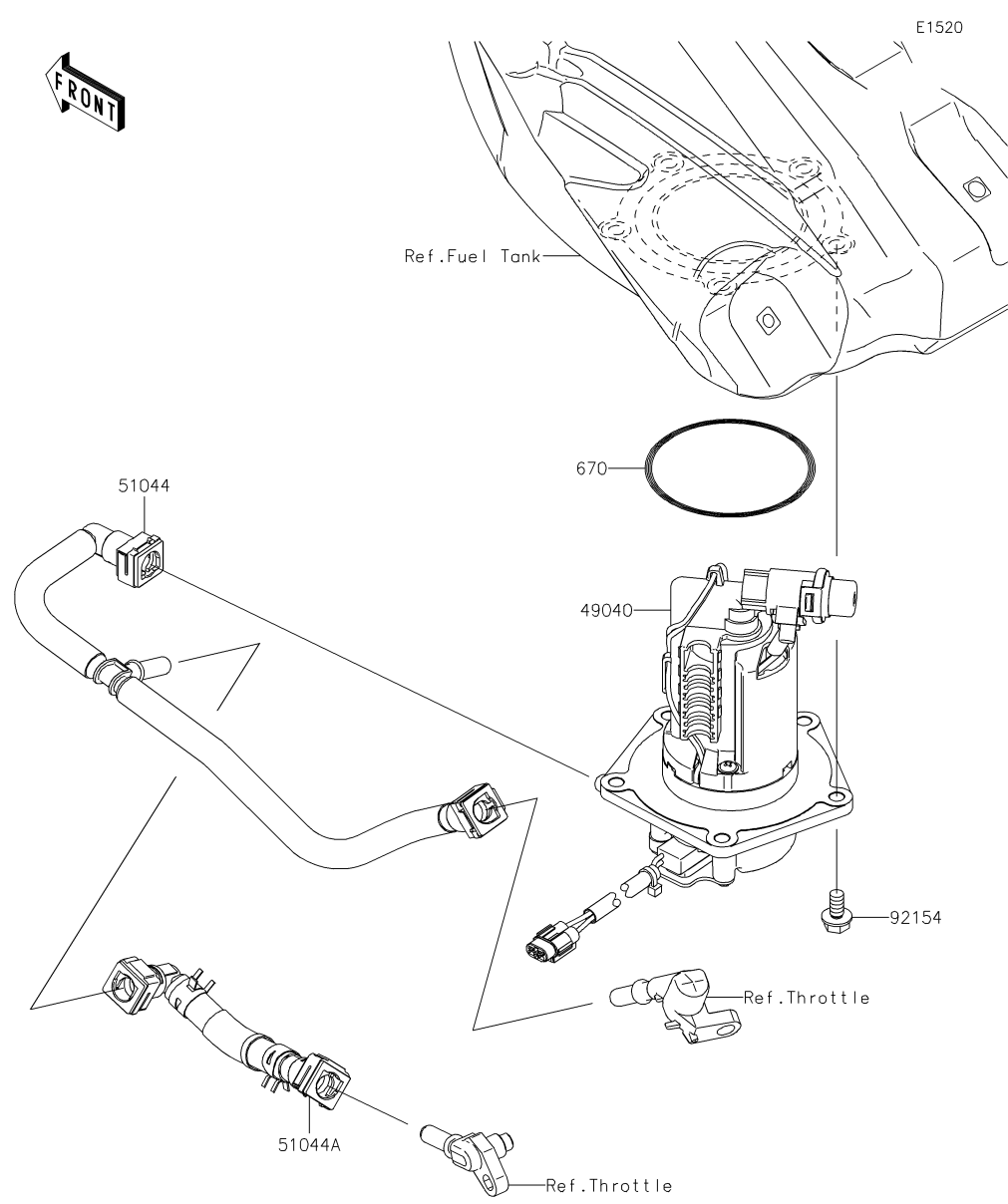
'15~'16 KX250 ZFF/ZGF Engine

GRID NO.

C-8

This grid covers:

Fuel Pump



Ref. No.	Part No.	Description	Spec Code	Quantity-KX250			
				'15	'16		
				ZFF	ZGF		
49040	49040-0707	PUMP-FUEL		1	1		
51044	51044-0725	TUBE-ASSY,FUEL		1	1		
51044A	51044-0739	TUBE-ASSY,FUEL		1	1		
92154	92154-0899	BOLT,FLANGED,6X16		5	5		
670	670E5070	O RING		1	1		

This catalog covers:

'15~'16 KX250 ZFF/ZGF Engine

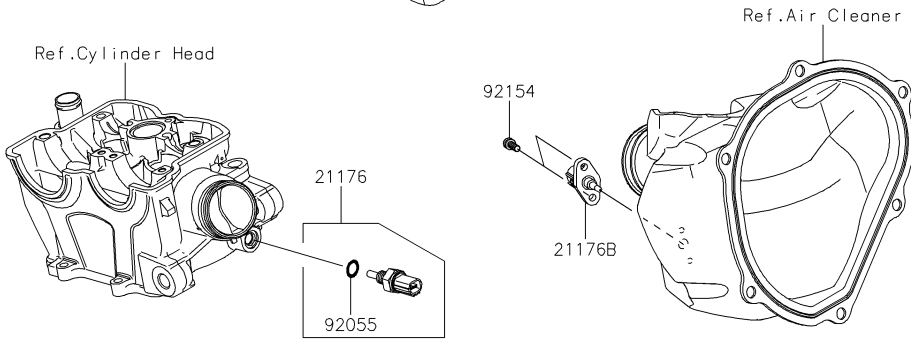
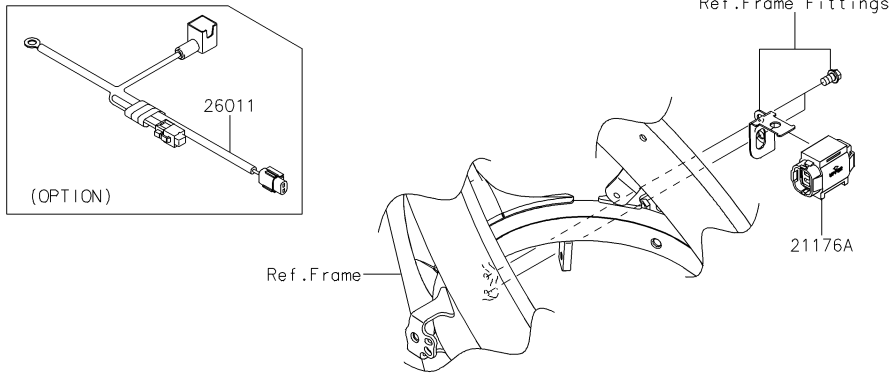
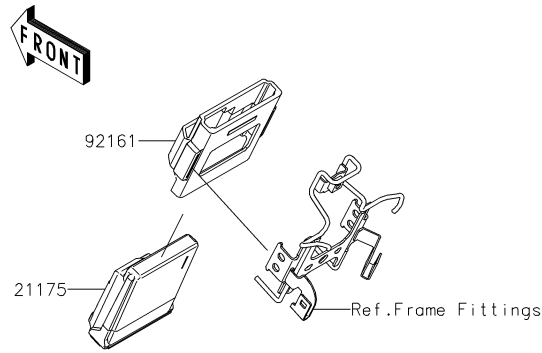
GRID NO.

C-9

This grid covers:

Fuel Injection

E1530



Ref. No.	Part No.	Description	Spec Code	Quantity-KX250			
				'15	'16		
				ZFF	ZGF		
21175	21175-0919	CONTROL UNIT-ELECTRONIC	1	1			
21176	21176-0009	SENSOR,WATER TEMP	1	1			
21176A	21176-0066	SENSOR,VEHICLE-DOWN	1	1			
21176B	21176-0121	SENSOR,AIR TEMP	1	1			
26011	26011-0246 (OPTION)	WIRE-LEAD,BAT. CONNECTION	1	1			
92055	92055-0016	RING-O,9.5X1.9	1	1			
92154	92154-0491	BOLT,SOCKET,5X14	2	2			
92161	92161-0976	DAMPER,ECU	1	1			

This catalog covers:

'15~'16 KX250 ZFF/ZGF Engine

GRID NO.

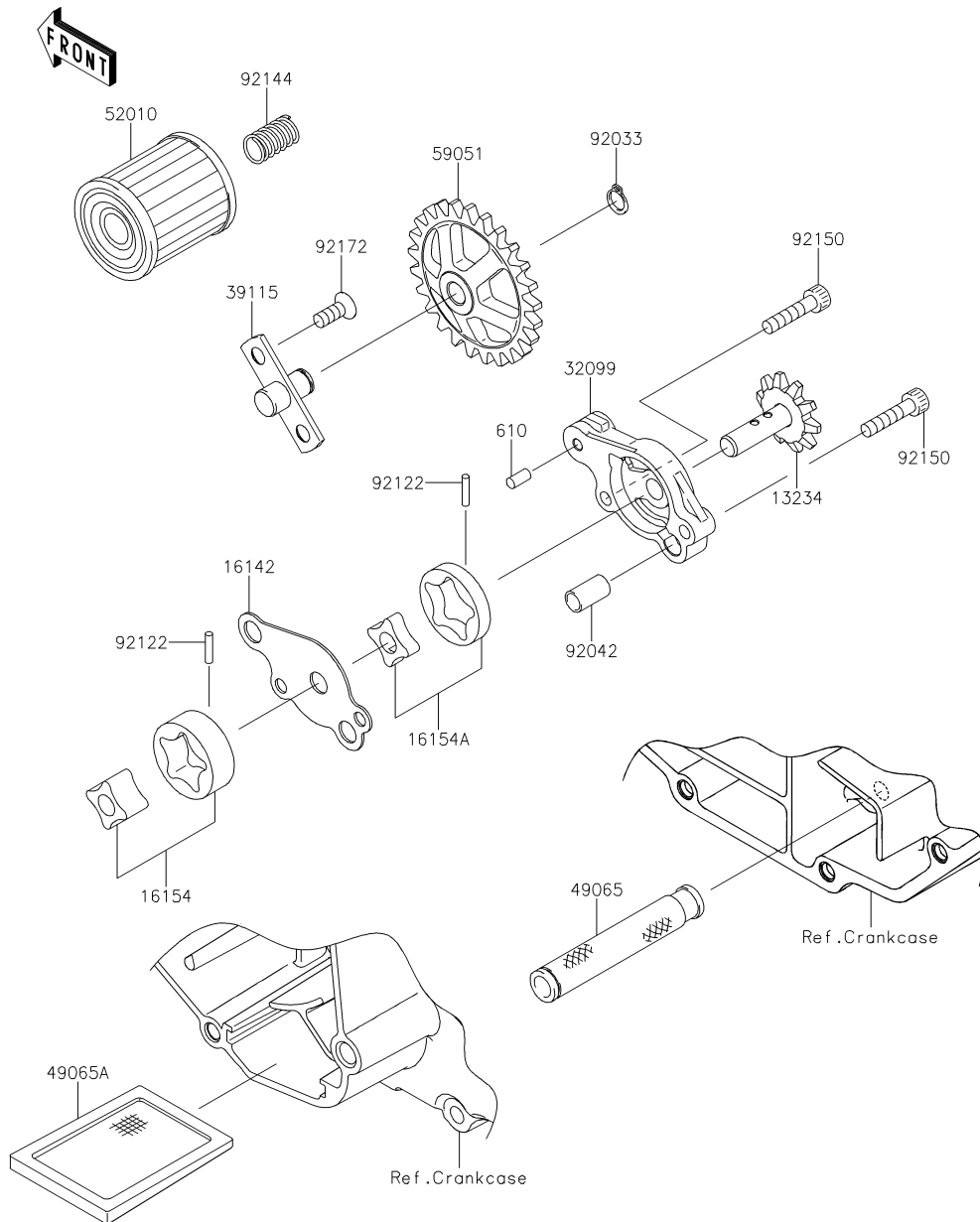
C-10

This grid covers:

Oil Pump

E1710

Ref. No.	Part No.	Description	Spec Code	Quantity-KX250			
				'15	'16		
				ZFF	ZGF		
13234	13234-0045	SHAFT-COMP,OIL PUMP	1	1			
16142	16142-0003	COVER-PUMP	1	1			
16154	16154-0090	ROTOR-PUMP,SCAVENGE	1	1			
16154A	16154-0093	ROTOR-PUMP,FEED	1	1			
32099	32099-0051	CASE,OIL PUMP	1	1			
39115	39115-0007	SHAFT-IDLER,OIL PUMP	1	1			
49065	49065-0017	FILTER-OIL	1	1			
49065A	49065-0023	FILTER-OIL	1	1			
52010	52010-0001	ELEMENT-OIL FILTER	1	1			
59051	59051-0009	GEAR-SPUR,PUMP IDLER	1	1			
92033	92033-1039	RING-SNAP,8MM	1	1			
92042	92042-007	PIN,DOWEL,6.3X8X14	1	1			
92122	92122-0021	ROLLER,2.5X11.8	2	2			
92144	92144-1761	SPRING	1	1			
92150	92150-1491	BOLT,SOCKET,5X22	2	2			
92172	92172-0087	SCREW,6X14	2	2			
610	610A0408	ROLLER,4X8	1	1			



This catalog covers:

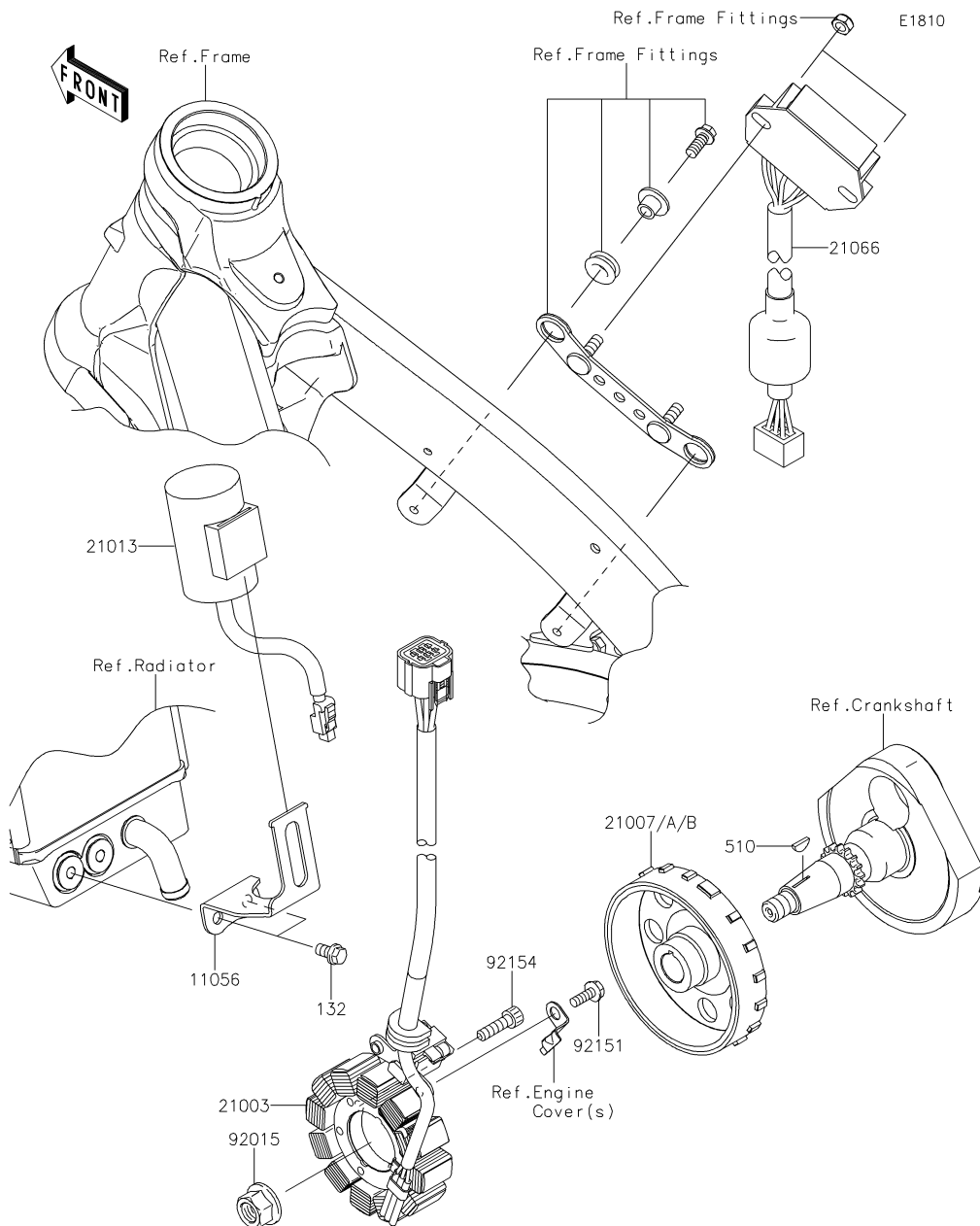
'15~'16 KX250 ZFF/ZGF Engine

GRID NO.

C-11

This grid covers:

Generator



Ref. No.	Part No.	Description	Spec Code	Quantity-KX250			
				'15	'16	ZFF	ZGF
11056	11056-1513	BRACKET,CONDENSER	1	1			
21003	21003-0147	STATOR	1	1			
21007	21007-0164	ROTOR,I=8.5	1	1			
	(OPTION)						
21007A	21007-0593	ROTOR,I=9.0	1	1			
	(OPTION)						
21007B	21007-0619	ROTOR	1	1			
21013	21013-0001	CONDENSER	1	1			
21066	21066-0721	REGULATOR-VOLTAGE	1	1			
92015	92015-1426	NUT,12MM	1	1			
92151	92151-1764	BOLT,5X14	2	2			
92154	92154-0031	BOLT,SOCKET,6X22	3	3			
132	132BA0610	BOLT-FLANGED-SMALL,6X10	2	2			
510	510A3200	KEY-WOODRUFF	1	1			

This catalog covers:

'15~'16 KX250 ZFF/ZGF Engine

GRID NO.

C-12

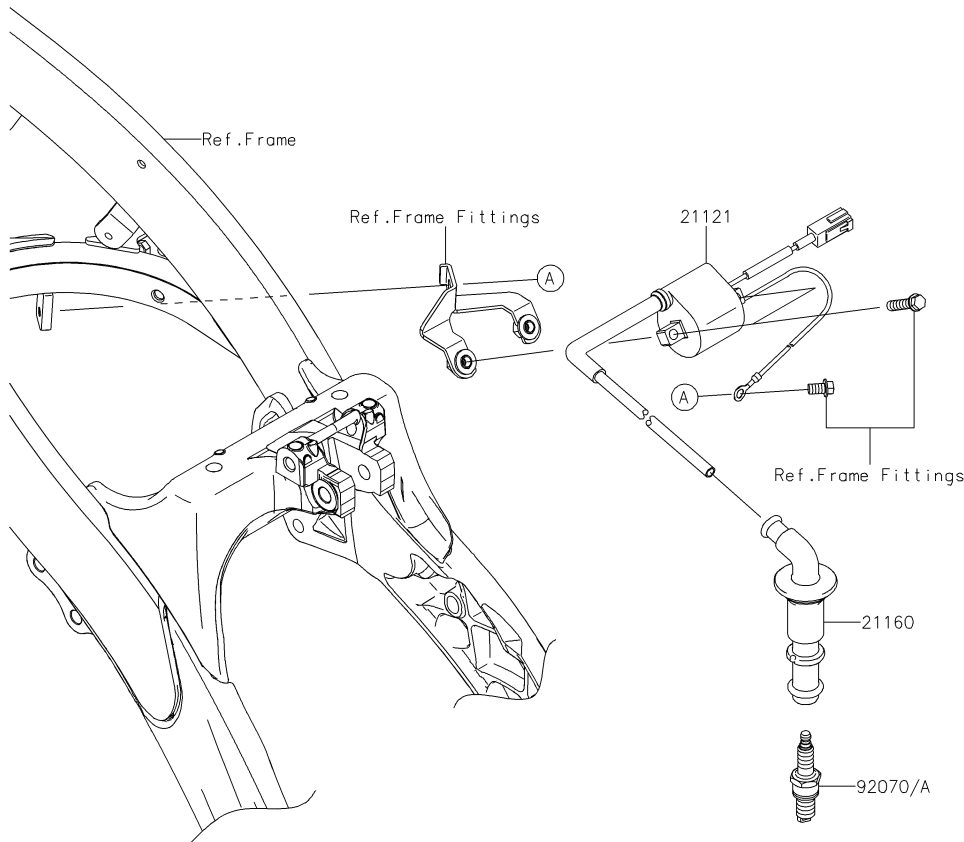
This grid covers:

Ignition System

E1830



Ref. No.	Part No.	Description	Spec Code	Quantity-KX250			
				'15	'16		
				ZFF	ZGF		
21121	21121-0706	COIL-IGNITION	1	1			
21160	21160-0553	CAP-ASSY-PLUG	1	1			
92070	92070-0020	PLUG-SPARK, CPR8EB-9(NGK)	1	1			
92070A	92070-0021 (OPTION)	PLUG-SPARK, CPR9EB-9(NGK)	1	1			



This catalog covers:

'15~'16 KX250 ZFF/ZGF Engine

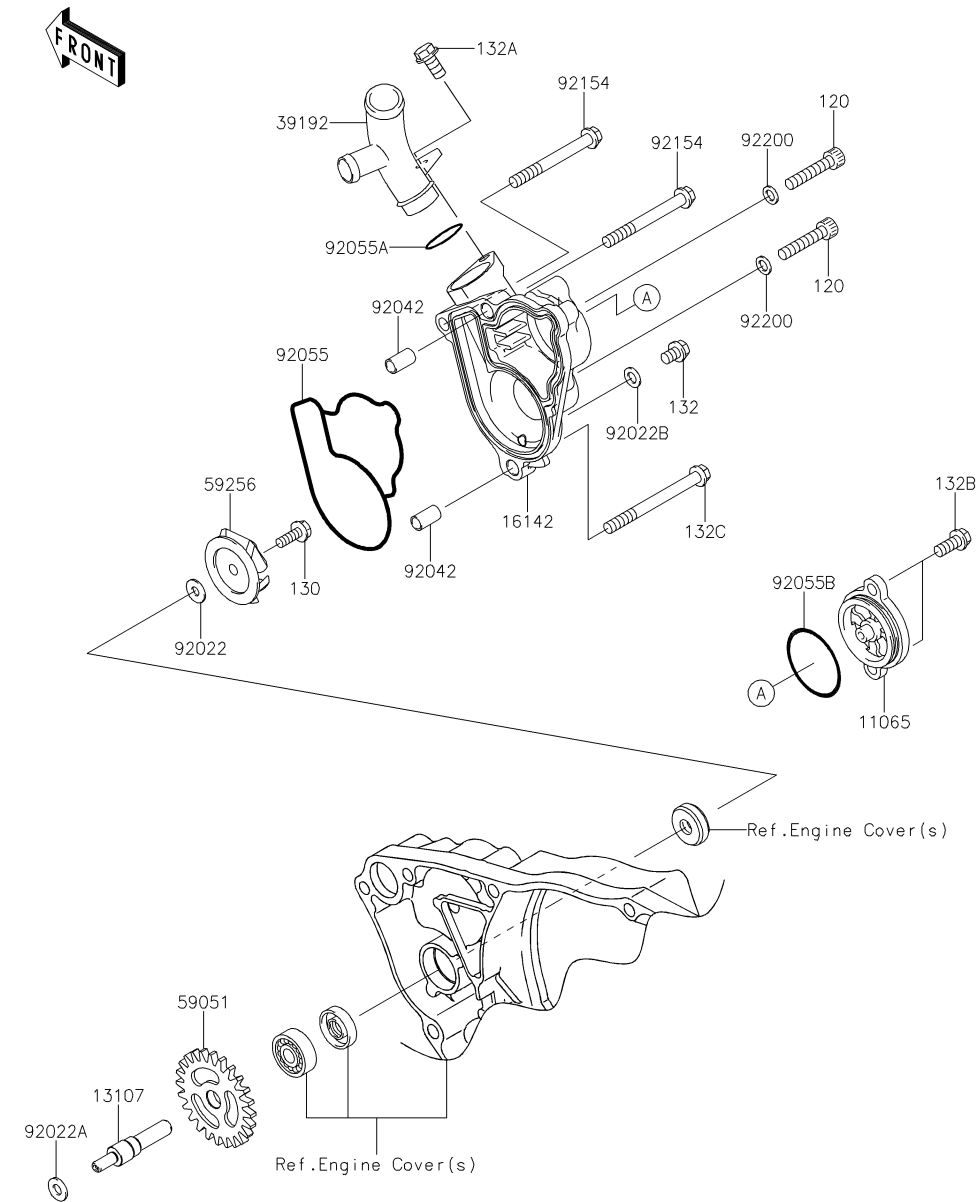
GRID NO.

C-13

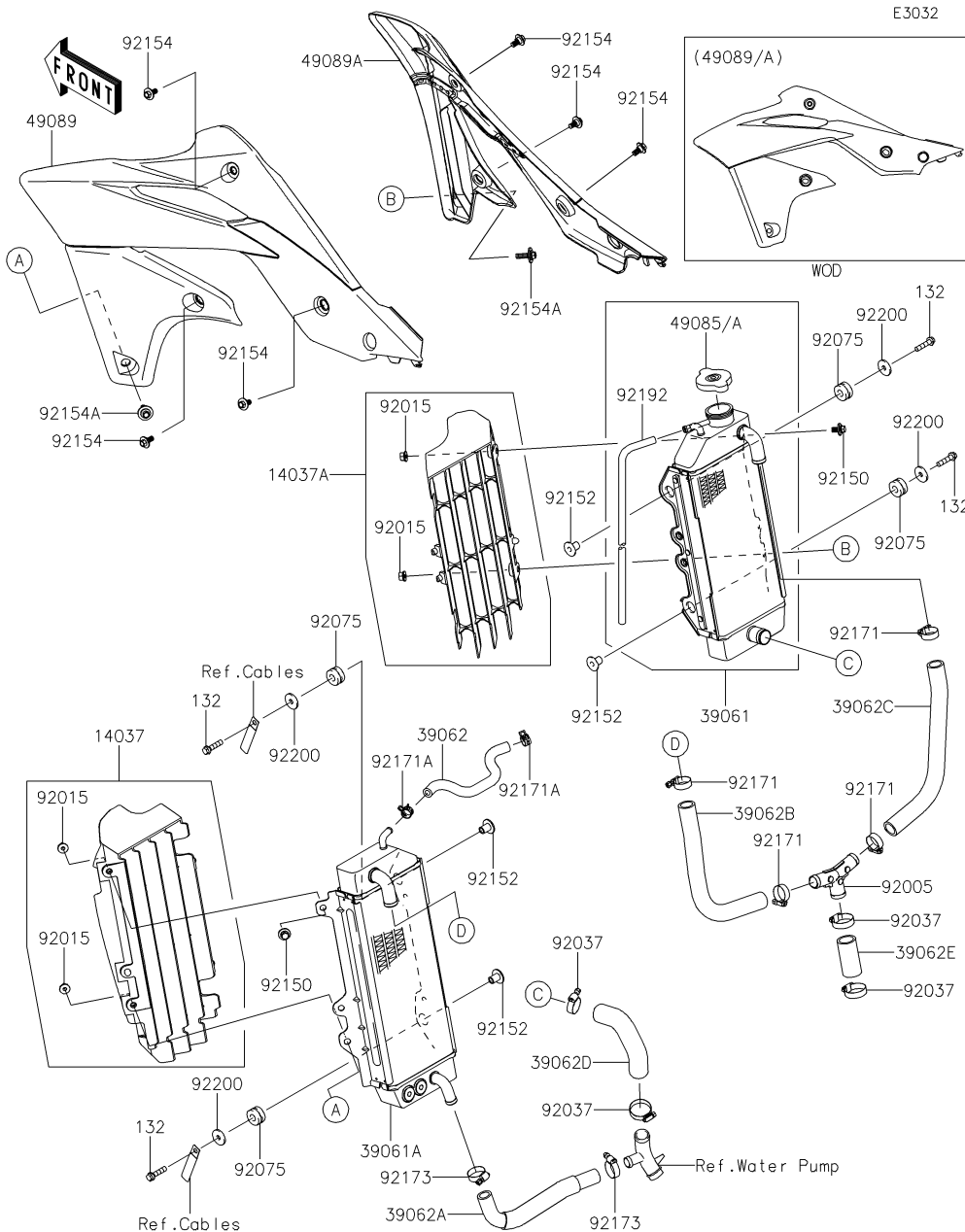
This grid covers:

Water Pump

E3031



Ref. No.	Part No.	Description	Spec Code	Quantity-KX250			
				'15	'16		
				ZFF	ZGF		
11065	11065-0087	CAP	1	1			
13107	13107-0196	SHAFT,WATER PUMP	1	1			
16142	16142-0020	COVER-PUMP,WATER	1	1			
39192	39192-0037	PIPE-WATER	1	1			
59051	59051-0061	GEAR-SPUR,WATER PUMP	1	1			
59256	59256-1065	IMPELLER	1	1			
92022	92022-1380	WASHER,5.2X13X1	1	1			
92022A	92022-1827	WASHER,6X12.8X1.2	1	1			
92022B	92022-304	WASHER,6.2X11X1	1	1			
92042	92042-007	PIN,DOWEL,6.3X8X14	2	2			
92055	92055-0010	RING-O,WATER PUMP	1	1			
92055A	92055-1308	RING-O,18.8X2.4	1	1			
92055B	92055-520	RING-O,35.2X1.9	1	1			
92154	92154-0532	BOLT,FLANGED,6X55	2	2			
92200	92200-0190	WASHER,6.1X10.0X1.0	2	2			
120	120CA0630	BOLT-SOCKET,6X30	2	2			
130	130CD0514	BOLT-FLANGED,5X14	1	1			
132	132BA0608	BOLT-FLANGED-SMALL,6X8	1	1			
132A	132BA0612	BOLT-FLANGED-SMALL,6X12	1	1			
132B	132BA0614	BOLT-FLANGED-SMALL,6X14	2	2			
132C	132BA0665	BOLT-FLANGED-SMALL,6X65	1	1			



Ref. No.	Part No.	Description	Spec Code	Quantity-KX250			
				'15	'16		
				ZFF	ZGF		
14037	14037-0744-6C	SCREEN,LH,EBONY	1	1			
14037A	14037-0745-6C	SCREEN,RH,EBONY	1	1			
39061	39061-0168	RADIATOR-ASSY,RH	1	1			
39061A	39061-0190	RADIATOR-ASSY,LH	1	1			
39062	39062-0258	HOSE-COOLING,RAD.LH-RAD.RH	1	1			
39062A	39062-0292	HOSE-COOLING,RAD.LH-W/P	1	1			
39062B	39062-0294	HOSE-COOLING,RAD.LH-FIT.	1	1			
39062C	39062-0295	HOSE-COOLING,RAD.RH-FIT.	1	1			
39062D	39062-0689	HOSE-COOLING,RAD.RH-W/P	1	1			
39062E	39062-0690	HOSE-COOLING,18X24X50	1	1			
49085	49085-1070	CAP-ASSY-PRESSURE,P1.1	1	1			
49085A	49085-1073	CAP-ASSY-PRESSURE,P1.6	1	1			
	(OPTION)						
49089	49089-0832-25M	SHROUD-ENGINE,LH,GREEN/EBONY	1	1			
49089A	49089-0833-25M	SHROUD-ENGINE,RH,GREEN/EBONY	1	1			
92005	92005-0101	FITTING	1	1			
92015	92015-1367	NUT,FLANGED,6MM	4	4			
92037	92037-1589	CLAMP,COOLING HOSE	4	4			
92075	92075-209	DAMPER	4	4			
92150	92150-1435	BOLT,6X12	2	2			
92152	92152-0666	COLLAR	4	4			
92154	92154-0546	BOLT,FLANGED,6X9	6	6			
92154A	92154-0915	BOLT,FLANGED,6X20	2	2			
92171	92171-0338	CLAMP	4	4			
92171A	92171-0372	CLAMP,CLIP,12.5MM	2	2			
92173	92173-1401	CLAMP	2	2			
92192	92192-0167	TUBE,6X9X640	1	1			
92200	92200-0271	WASHER,6.5X22X2.3	4	4			
132	132BB0625	BOLT-FLANGED-SMALL,6X25	4	4			

This catalog covers:

'15~'16 KX250 ZFF/ZGF Chassis

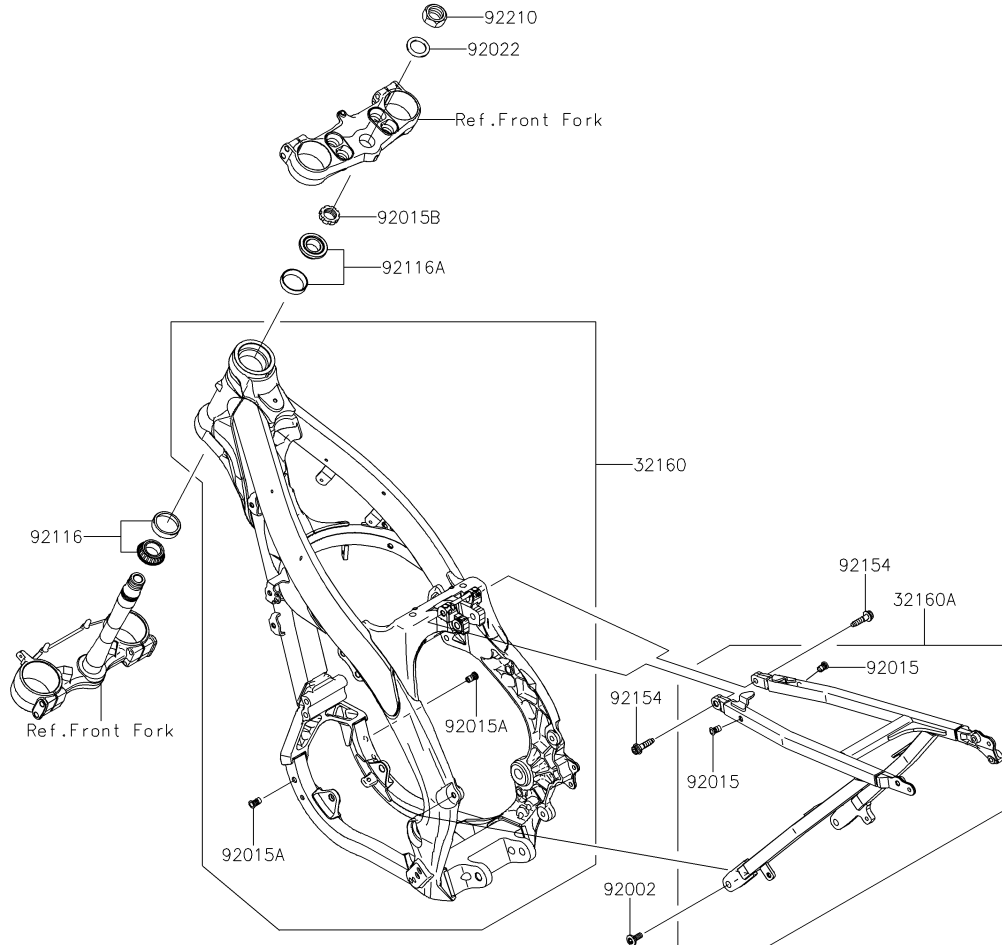
GRID NO.

D-3

This grid covers:

Frame

F2120



Ref. No.	Part No.	Description	Spec Code	Quantity-KX250			
				'15	'16		
				ZFF	ZGF		
32160	32160-0722	FRAME-COMP.MAIN	1	1			
32160A	32160-0724	FRAME-COMP,RR	1	1			
92002	92002-1736	BOLT, SOCKET, 8X20	2	2			
92015	92015-1791	NUT, POP, 6MM, L=15	2	2			
92015A	92015-1792	NUT, POP, 6MM, L=16.5	2	2			
92015B	92015-1861	NUT, STEERING STEM, 28MM	1	1			
92022	92022-250	WASHER, 25X36X2.3	1	1			
92116	92116-1069	BEARING-ROLLER, HI-CAP32006JRRS	1	1			
92116A	92116-1076	BEARING-ROLLER, HI-CAP320/28JRR	1	1			
92154	92154-0024	BOLT, SOCKET, 8X32	2	2			
92210	92210-0066	NUT, 24MM	1	1			

This catalog covers:

'15~'16 KX250 ZFF/ZGF Chassis

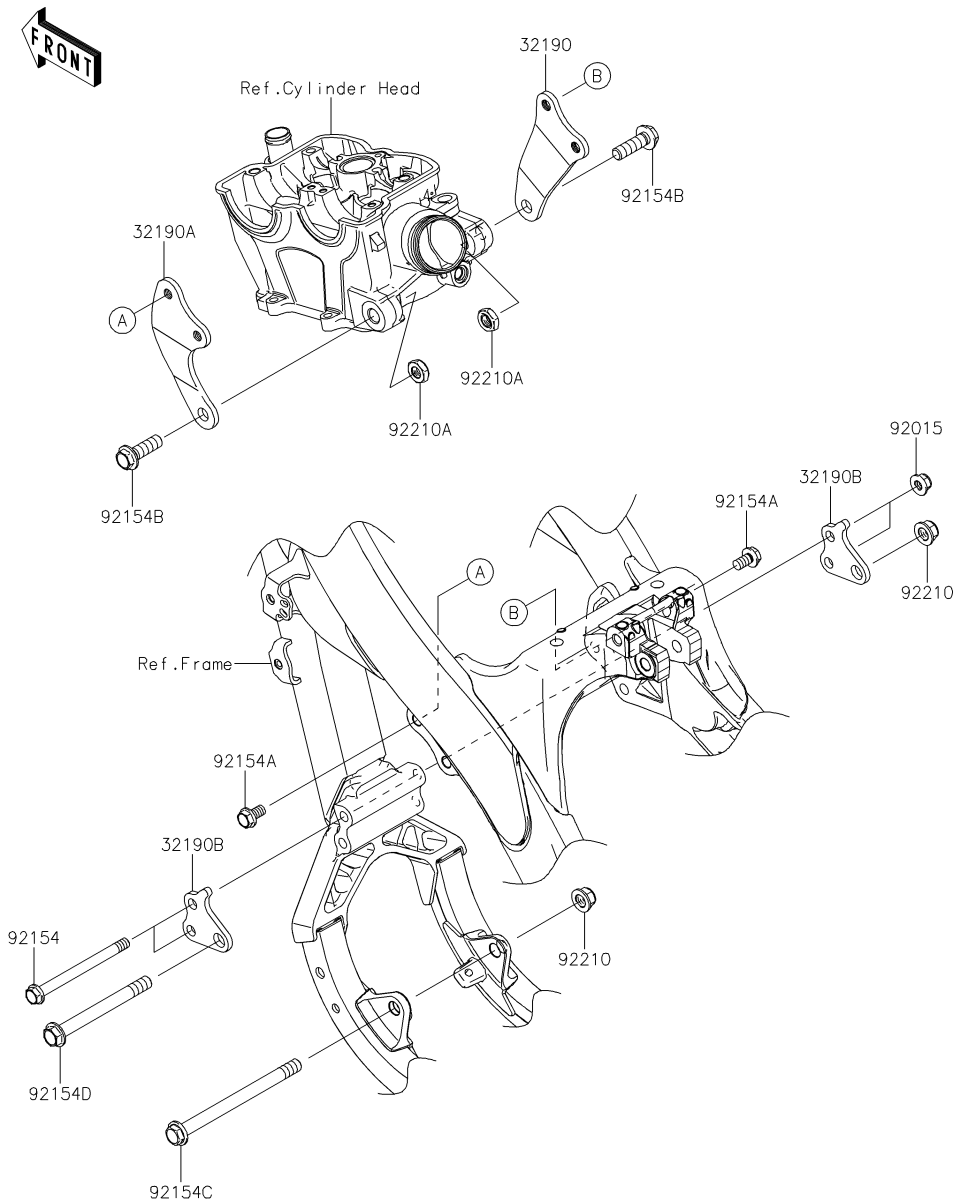
GRID NO.

D-4

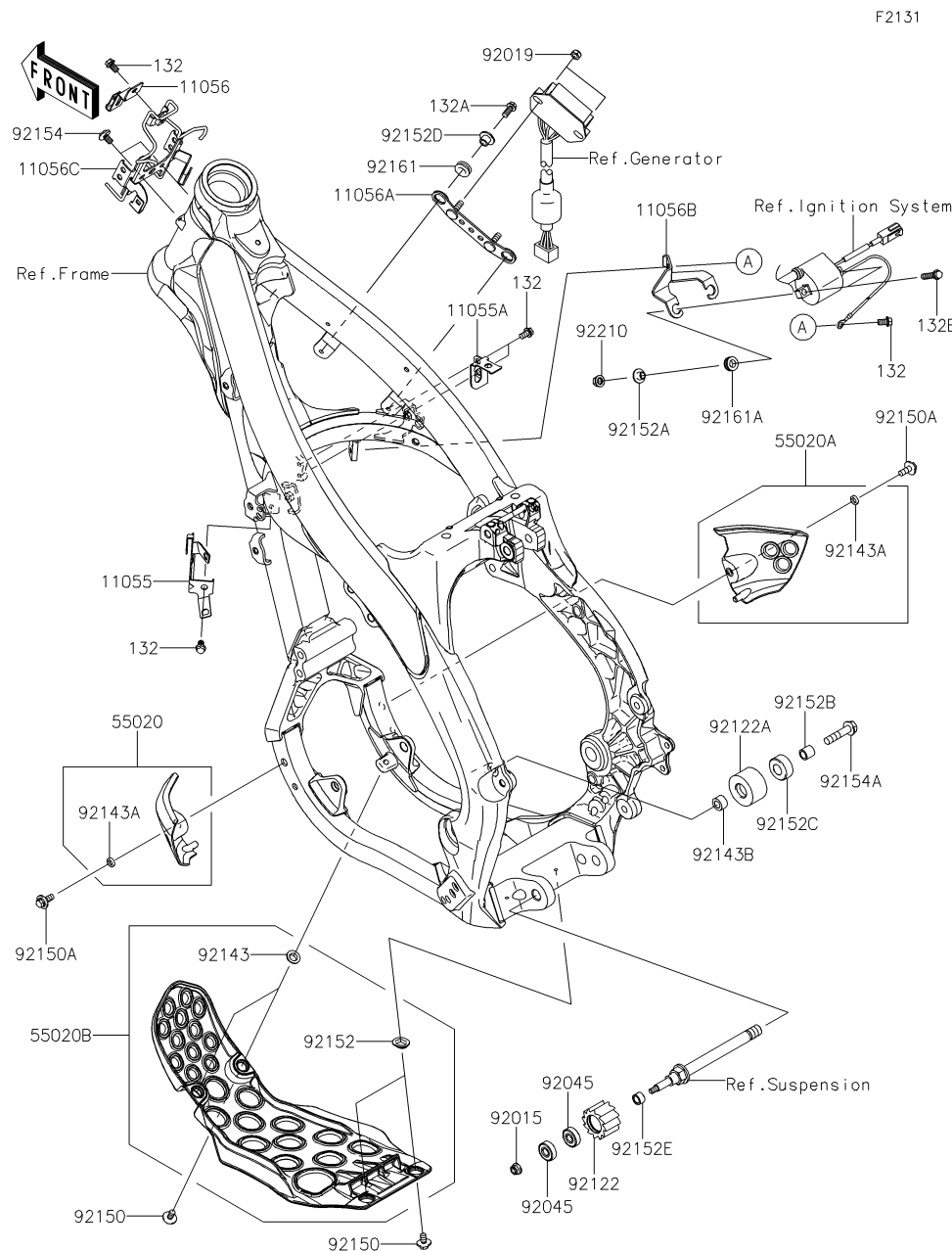
This grid covers:

Engine Mount

F2122



Ref. No.	Part No.	Description	Spec Code	Quantity-KX250			
				'15	'16		
				ZFF	ZGF		
32190	32190-0478	BRACKET-ENGINE,UPP,RH	1	1			
32190A	32190-0607	BRACKET-ENGINE,UPP,LH	1	1			
32190B	32190-0655	BRACKET-ENGINE,FR	2	2			
92015	92015-1432	NUT,8MM	2	2			
92154	92154-0378	BOLT,FLANGED,8X98	2	2			
92154A	92154-0380	BOLT,FLANGED,8X14	4	4			
92154B	92154-0381	BOLT,FLANGED,10X32	2	2			
92154C	92154-0517	BOLT,FLANGED,10X130	1	1			
92154D	92154-0518	BOLT,FLANGED,10X100	1	1			
92210	92210-1080	NUT,LOCK,FLANGED,10MM	2	2			
92210A	92210-1184	NUT,LOCK,10MM	2	2			



F2131

Ref. No.	Part No.	Description	Spec Code	Quantity-KX250			
				'15	'16		
				ZFF	ZGF		
11055	11055-1540	BRACKET,COUPLER	1	1			
11055A	11055-1541	BRACKET	1	1			
11056	11056-0070	BRACKET,DIAG CONNECTOR	1	1			
11056A	11056-0624	BRACKET,REGULATOR	1	1			
11056B	11056-0961	BRACKET,IG. COIL	1	1			
11056C	11056-1657	BRACKET,ECU	1	1			
55020	55020-0435-6C	GUARD,ENGINE,SIDE,LH,EBONY	1	1			
55020A	55020-0436-6C	GUARD,ENGINE,SIDE,RH,EBONY	1	1			
55020B	55020-0443-6C	GUARD,ENGINE,LWR,EBONY	1	1			
92015	92015-1339	NUT,LOCK,FLANGED,6MM	1	1			
92019	92019-008	NUT,LOCK,6MM	2	2			
92045	92045-0060	BEARING-BALL,608LLU/2A	2	2			
92122	92122-0016	ROLLER,CHAIN GUIDE	1	1			
92122A	92122-0042	ROLLER,CHAIN	1	1			
92143	92143-1196	COLLAR	2	2			
92143A	92143-1307	COLLAR	2	2			
92143B	92143-1642	COLLAR,8.5X15X9	1	1			
92150	92150-1435	BOLT,6X12	4	4			
92150A	92150-1506	BOLT,FLANGED,6X16	2	2			
92152	92152-0052	COLLAR	2	2			
92152A	92152-0620	COLLAR	2	2			
92152B	92152-0944	COLLAR,8.5X12.5X12.5	1	1			
92152C	92152-0945	COLLAR,12.7X27.2X12	1	1			
92152D	92152-1449	COLLAR	2	2			
92152E	92152-1624	COLLAR,8.1X12.5X7.5	1	1			
92154	92154-0774	BOLT,SOCKET,6X10	2	2			
92154A	92154-0913	BOLT,FLANGED,8X35	1	1			
92161	92161-0266	DAMPER	2	2			
92161A	92161-0878	DAMPER,8.5X15.5X5.5	2	2			
92210	92210-0630	NUT,FLANGED,6MM	2	2			
132	132BA0610	BOLT-FLANGED-SMALL,6X10	5	5			
132A	132BA0614	BOLT-FLANGED-SMALL,6X14	2	2			
132B	132BA0625	BOLT-FLANGED-SMALL,6X25	2	2			

This catalog covers:

'15~'16 KX250 ZFF/ZGF Chassis

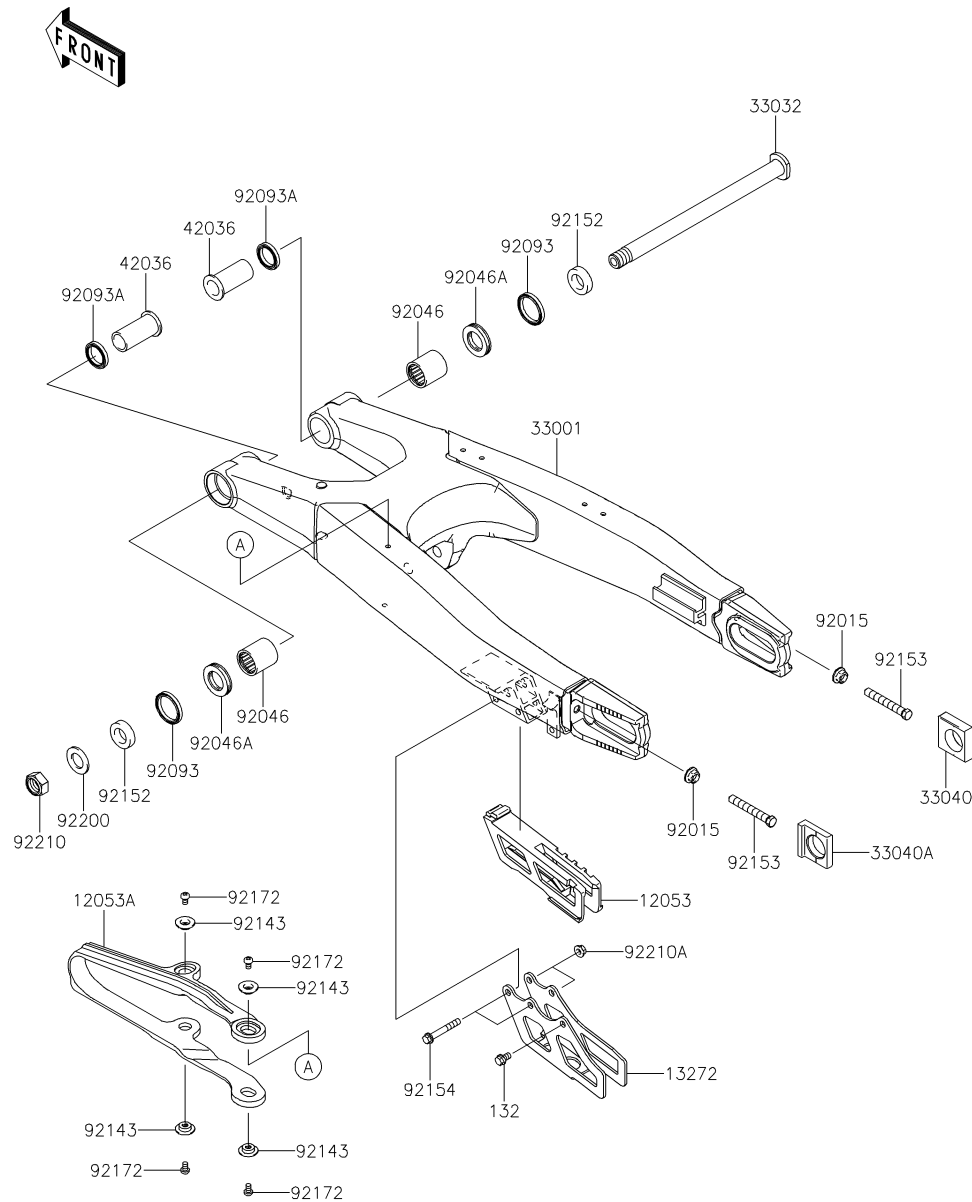
GRID NO.

D-6

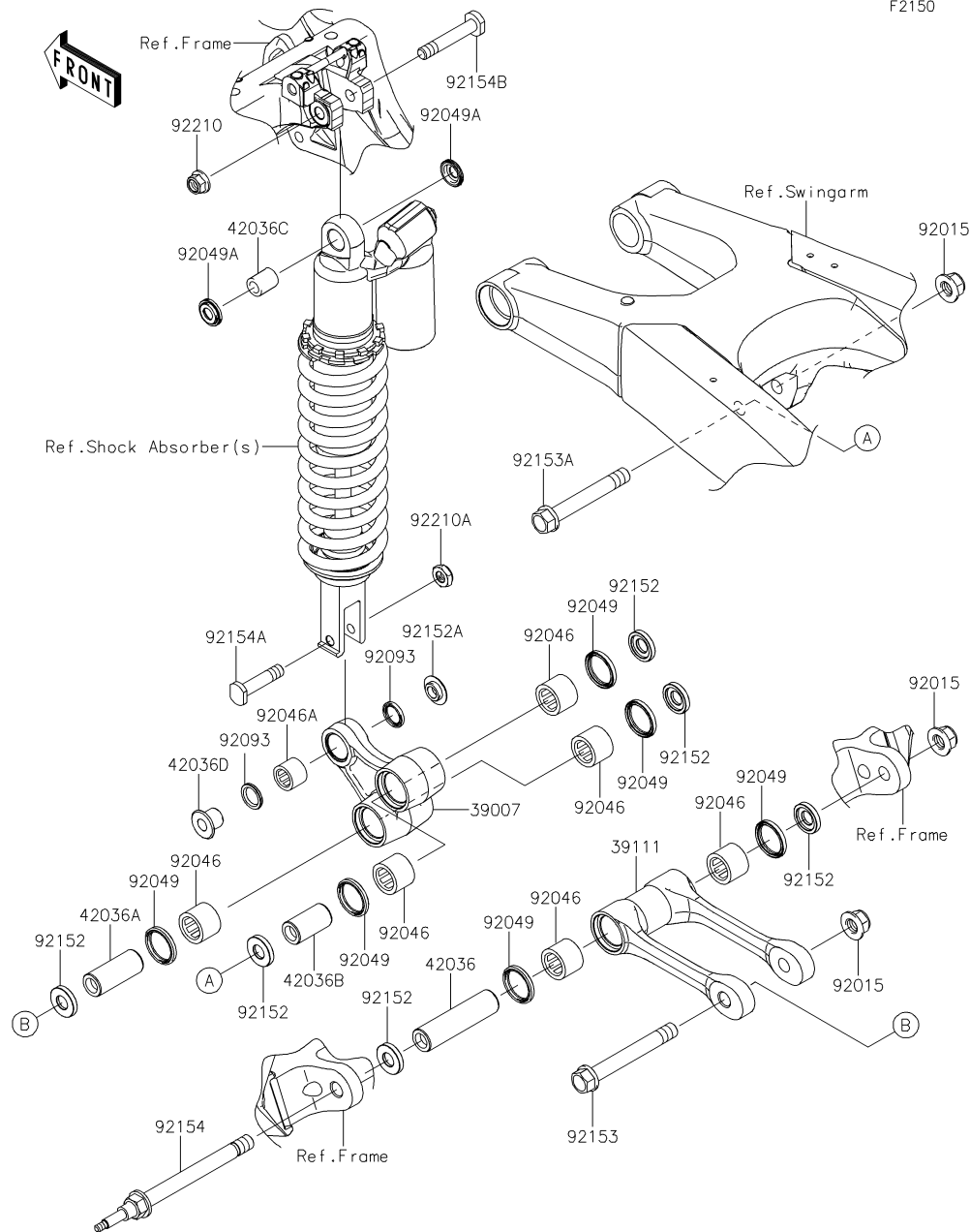
This grid covers:

Swingarm

F2141



Ref. No.	Part No.	Description	Spec Code	Quantity-KX250			
				'15	'16		
				ZFF	ZGF		
12053	12053-0125	GUIDE-CHAIN	1	1			
12053A	12053-0192	GUIDE-CHAIN,HARDNESS UP	1	1			
13272	13272-1169	PLATE,CHAIN GUIDE	1	1			
33001	33001-0594	ARM-COMP-SWING	1	1			
33032	33032-0012	SHAFT-SWING ARM	1	1			
33040	33040-0020	ADJUSTER-CHAIN,RH	1	1			
33040A	33040-0075	ADJUSTER-CHAIN,LH	1	1			
42036	42036-0019	SLEEVE,SWING ARM,L=47.5	2	2			
92015	92015-1014	NUT,FLANGED,8MM	2	2			
92046	92046-1174	BEARING-NEEDLE,TA2230Z	2	2			
92046A	92046-1240	BEARING-NEEDLE,NTBR22356E01	2	2			
92093	92093-1434	SEAL,SDO29X35X4.5	2	2			
92093A	92093-1435	SEAL,SDO22X29X5	2	2			
92143	92143-1676	COLLAR	4	4			
92152	92152-0292	COLLAR,17.1X29X6	2	2			
92153	92153-0620	BOLT,8X56	2	2			
92154	92154-0511	BOLT,FLANGED,6X42	2	2			
92172	92172-0119	SCREW,5X8	4	4			
92200	92200-0285	WASHER,17.2X30X2.3	1	1			
92210	92210-0285	NUT,LOCK,16MM	1	1			
92210A	92210-0630	NUT,FLANGED,6MM	2	2			
132	132BA0610	BOLT-FLANGED-SMALL,6X10	1	1			



F2150

Ref. No.	Part No.	Description	Spec Code	Quantity-KX250			
				'15	'16		
				ZFF	ZGF		
39007	39007-0361	ARM-SUSP,UNI TRAK	1	1			
39111	39111-0309	ROD-TIE,SUSPENSION	1	1			
42036	42036-0020	SLEEVE,ROD,L=78.4	1	1			
42036A	42036-0021	SLEEVE,SUSPENSION ARM,L=49	1	1			
42036B	42036-0022	SLEEVE,SUSPENSION ARM,L=37	1	1			
42036C	42036-0030	SLEEVE,10X16X19.3	1	1			
42036D	42036-1351	SLEEVE	1	1			
92015	92015-1433	NUT,LOCK,FLANGED,12MM	3	3			
92046	92046-1151	BEARING-NEEDLE,F-2016	6	6			
92046A	92046-1301	BEARING-NEEDLE,7E-HVS16X22X12	1	1			
92049	92049-0063	SEAL-OIL,SDO26X32X4	6	6			
92049A	92049-0069	SEAL-OIL	2	2			
92093	92093-1436	SEAL	2	2			
92152	92152-0425	COLLAR	6	6			
92152A	92152-1139	COLLAR	1	1			
92153	92153-0938	BOLT,FLANGED,12X95	1	1			
92153A	92153-0939	BOLT,FLANGED,12X86	1	1			
92154	92154-0394	BOLT,12X122	1	1			
92154A	92154-0512	BOLT,10X45	1	1			
92154B	92154-0513	BOLT,10X58	1	1			
92210	92210-1080	NUT,LOCK,FLANGED,10MM	1	1			
92210A	92210-1184	NUT,LOCK,10MM	1	1			

This catalog covers:

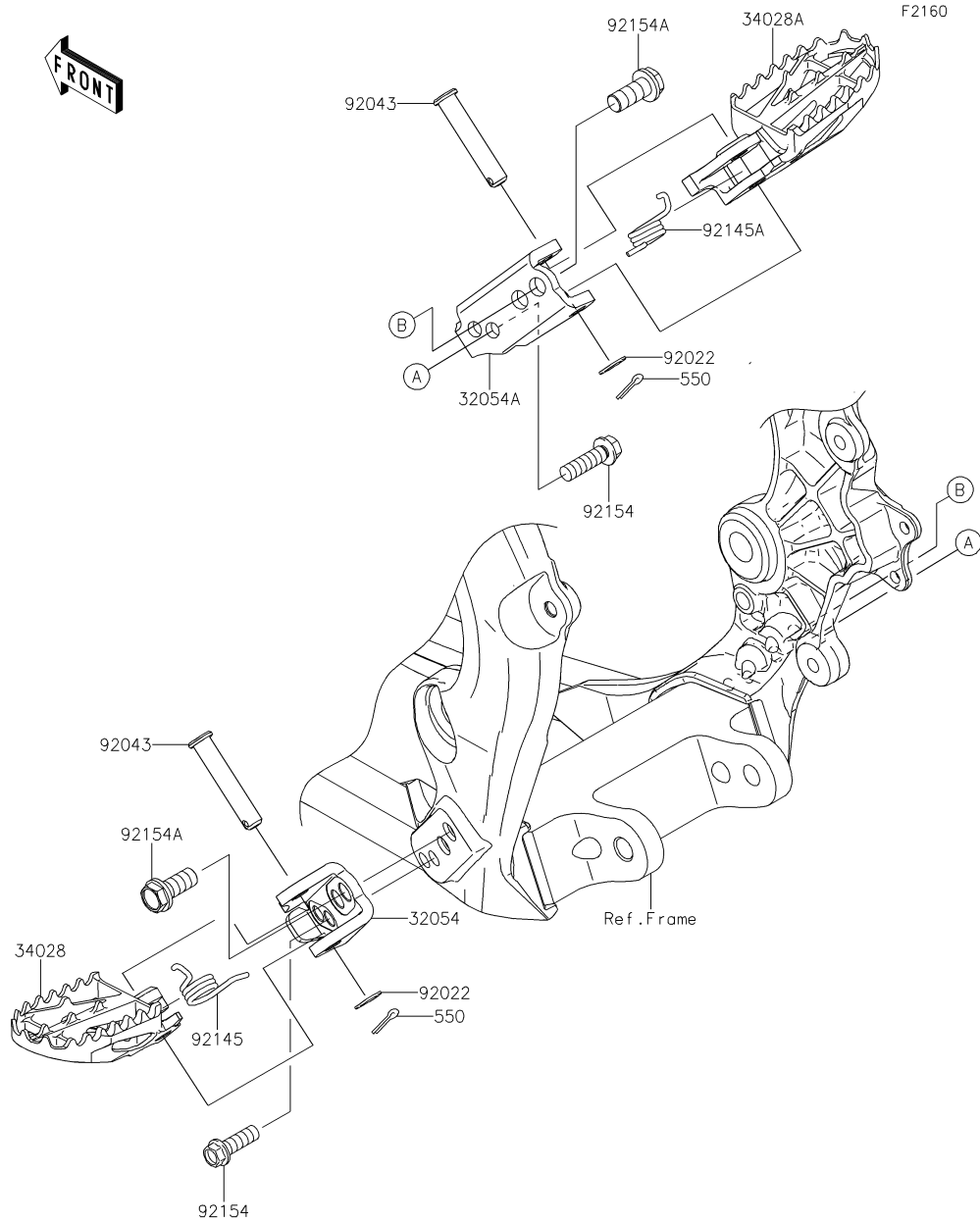
'15~'16 KX250 ZFF/ZGF Chassis

GRID NO.

D-8

This grid covers:

Footrests



Ref. No.	Part No.	Description	Spec Code	Quantity-KX250			
				'15	'16		
				ZFF	ZGF		
32054	32054-0054	BRACKET-STEP,LH	1	1			
32054A	32054-0055	BRACKET-STEP,RH	1	1			
34028	34028-0104	STEP,LH	1	1			
34028A	34028-0105	STEP,RH	1	1			
92022	92022-1829	WASHER,10.2X16X1	2	2			
92043	92043-0074	PIN,10X42.5	2	2			
92145	92145-0819	SPRING,STEP,LH	1	1			
92145A	92145-0820	SPRING,STEP,RH	1	1			
92154	92154-0515	BOLT,FLANGED,8X25	2	2			
92154A	92154-0545	BOLT,FLANGED,10X23	2	2			
550	550S3020	PIN-COTTER,3.0X20	2	2			

This catalog covers:

'15~'16 KX250 ZFF/ZGF Chassis

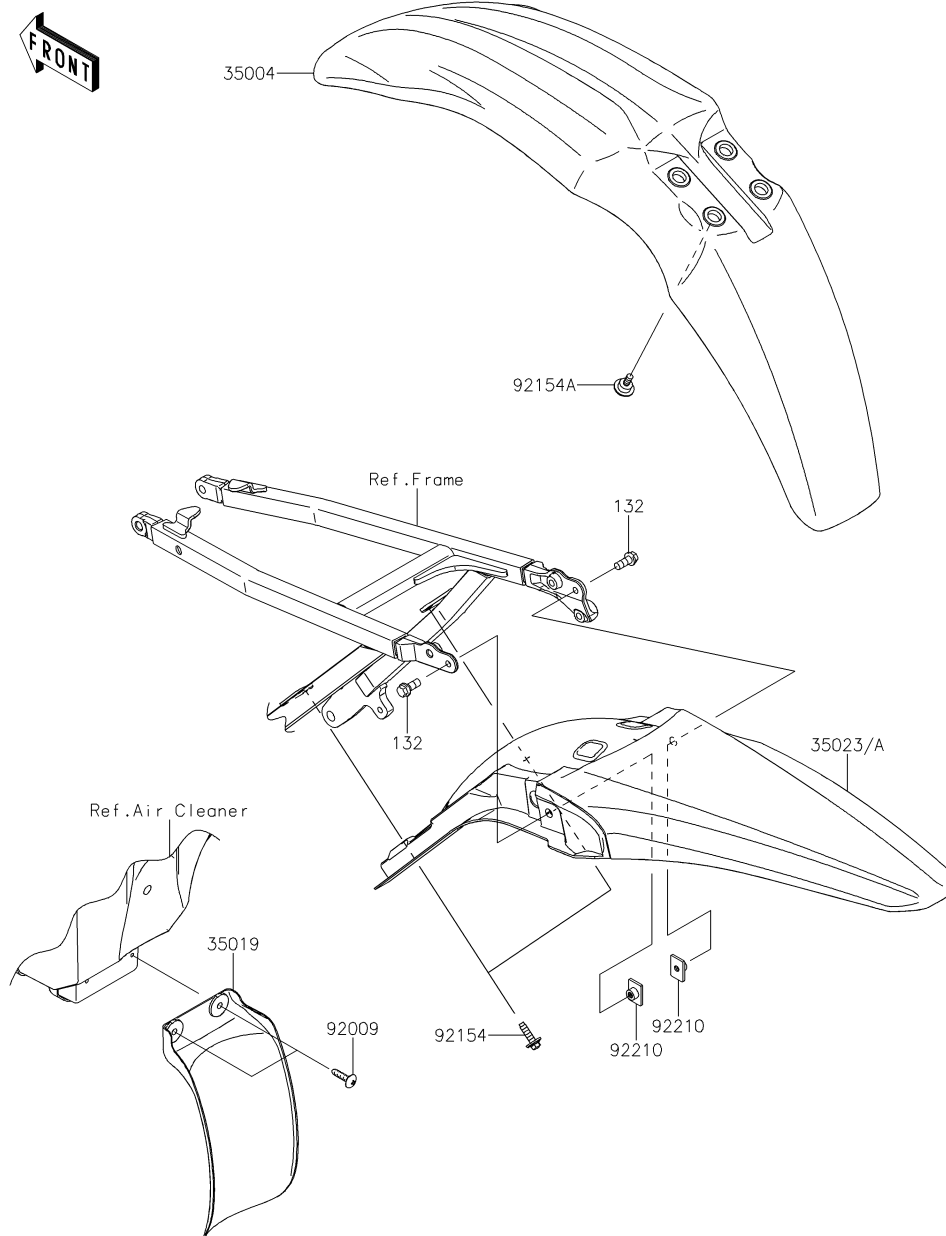
GRID NO.

D-9

This grid covers:

Fenders

F2170



Ref. No.	Part No.	Description	Spec Code	Quantity-KX250			
				'15	'16		
				ZFF	ZGF		
35004	35004-0319-290	FENDER-FRONT,L.GREEN	1	1			
35019	35019-0050	FLAP,AIR FILTER	1	1			
35023	35023-0357-266	FENDER-REAR,B.WHITE	1				
35023A	35023-0357-290	FENDER-REAR,L.GREEN		1			
92009	92009-1993	SCREW,TAPPING,5X20	2	2			
92154	92154-0772	BOLT,FLANGED,6X23	2	2			
92154A	92154-0972	BOLT,6X18.5	4	4			
92210	92210-1352	NUT,PLATE,6MM	2	2			
132	132BA0614	BOLT-FLANGED-SMALL,6X14	2	2			

This catalog covers:

'15~'16 KX250 ZFF/ZGF Chassis

GRID NO.

D-10

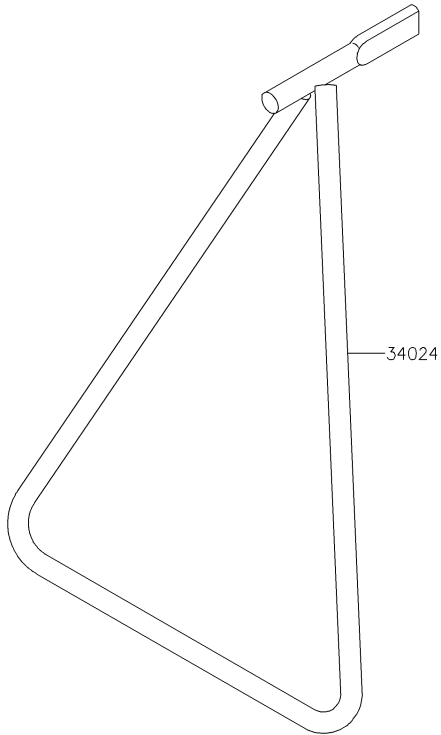
This grid covers:

Stand(s)



F2190

Ref. No.	Part No.	Description	Spec Code	Quantity-KX250				
				'15	'16			
				ZFF	ZGF			
34024	34024-0074	STAND-SIDE			1	1		



This catalog covers:

'15~'16 KX250 ZFF/ZGF Chassis

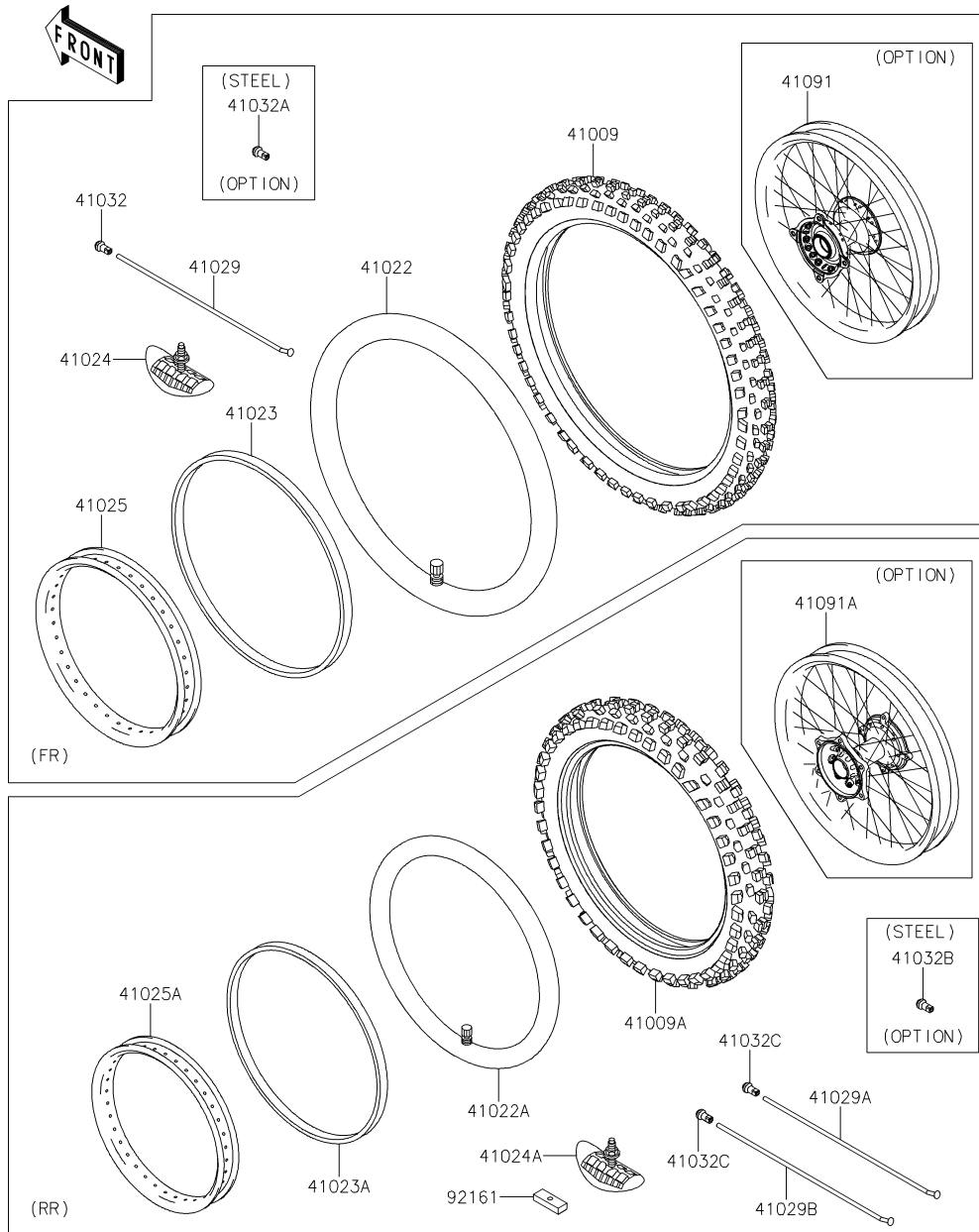
GRID NO.

D-11

This grid covers:

Tires

F2210



Ref. No.	Part No.	Description	Spec Code	Quantity-KX250			
				'15	'16	ZFF	ZGF
41009	41009-0531	TIRE,FR,80/100-21 51M,MX51F(D)		1	1		
41009A	41009-0532	TIRE,RR,100/90-19 57M,MX51(D)		1	1		
41022	41022-0022	TUBE-TIRE,FR,90/100-21(D)		1	1		
41022A	41022-1129	TUBE-TIRE,RR,100/90-19(D)		1	1		
41023	41023-1009	BAND-RIM,FR,X-21(BS)		1	1		
41023A	41023-1081	BAND-RIM,RR,110/90-19(BS)		1	1		
41024	41024-010	STOPPER-RIM,1.60-M(DUNLOP)		1	1		
41024A	41024-011	STOPPER-RIM,1.85-M(DUNLOP)		1	1		
41025	41025-0339-WC	RIM,FR,1.60X21,BLACK		1	1		
41025A	41025-0344-WC	RIM,RR,1.85X19,BLACK		1	1		
41029	41029-0003	SPOKE-INNER,FR		36	36		
41029A	41029-1204	SPOKE-INNER,RR,202MMX160D		27	27		
41029B	41029-1330	SPOKE-INNER,RR,204MMX159D		9	9		
41032	41032-0002	NIPPLE-SPOKE,ALUMINIUM		36	36		
41032A	41032-1077 (OPTION)	NIPPLE-SPOKE,8X9X20(+),STEEL		36	36		
41032B	41032-1085 (OPTION)	NIPPLE-SPOKE,STEEL		36	36		
41032C	41032-1086	NIPPLE-SPOKE,ALUMINIUM		36	36		
41091	41091-0004-WC (OPTION)	WHEEL,FR,1.60X21,AL NIPPLE,BLK		1	1		
41091A	41091-0005-WC (OPTION)	WHEEL,RR,1.85X19,AL NIPPLE,BLK		1	1		
92161	92161-1184	DAMPER,RIM STOPPER		1	1		

This catalog covers:

'15~'16 KX250 ZFF/ZGF Chassis

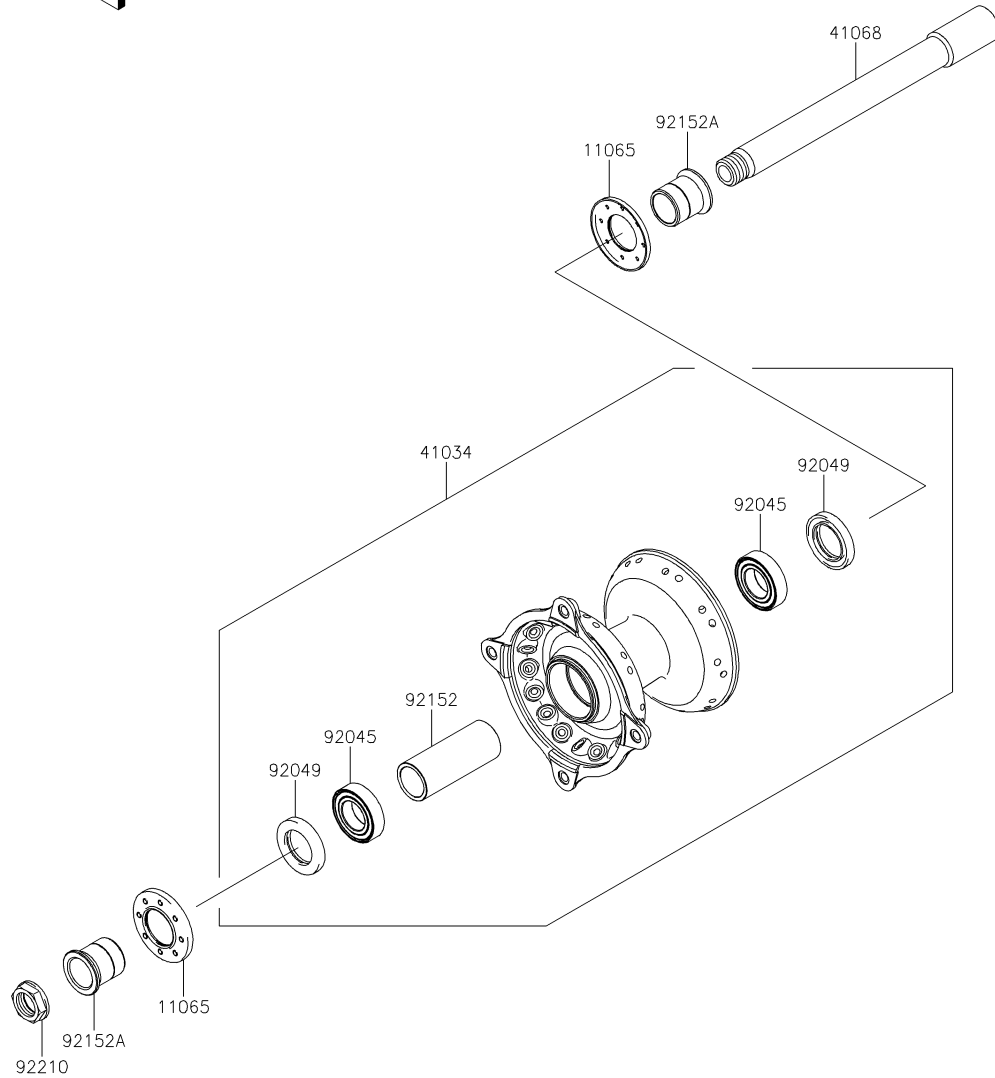
GRID NO.

D-12

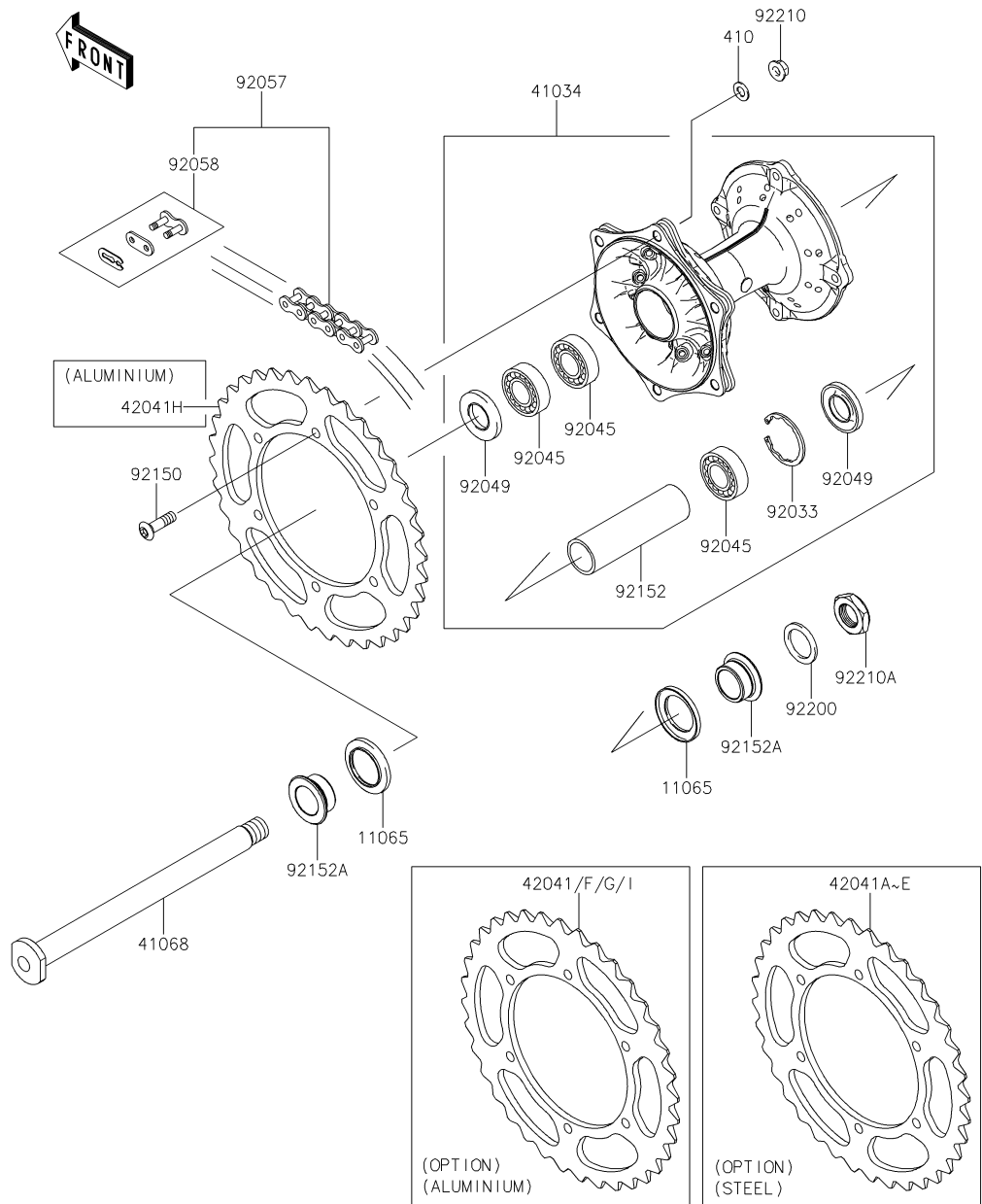
This grid covers:

Front Hub

F2230



Ref. No.	Part No.	Description	Spec Code	Quantity-KX250			
				'15	'16		
				ZFF	ZGF		
11065	11065-0786	CAP,AXLE		2	2		
41034	41034-0034	DRUM-ASSY,FRONT BRAKE		1	1		
41068	41068-0590	AXLE,FR,20X186		1	1		
92045	92045-1284	BEARING-BALL,69042RS		2	2		
92049	92049-1403	SEAL-OIL,BJNC-2 25X37X5		2	2		
92152	92152-0028	COLLAR,FRONT BRAKE DRUM,L=65		1	1		
92152A	92152-0324	COLLAR,FR AXLE,L=27.5		2	2		
92210	92210-0065	NUT,18MM		1	1		



F2240

Ref. No.	Part No.	Description	Spec Code	Quantity-KX250			
				'15	'16		
				ZFF	ZGF		
11065	11065-1253	CAP,AXLE	2	2			
41034	41034-0057	DRUM-ASSY,REAR BRAKE	1	1			
41068	41068-0591	AXLE,RR,25X259	1	1			
42041	42041-0001	SPROCKET-HUB,52T,AL	1	1			
	(OPTION)						
42041A	42041-1383	SPROCKET-HUB,48T,STEEL	1	1			
	(OPTION)						
42041B	42041-1384	SPROCKET-HUB,49T,STEEL	1	1			
	(OPTION)						
42041C	42041-1408	SPROCKET-HUB,50T,STEEL	1	1			
	(OPTION)						
42041D	42041-1428	SPROCKET-HUB,51T,STEEL	1	1			
	(OPTION)						
42041E	42041-1429	SPROCKET-HUB,52T,STEEL	1	1			
	(OPTION)						
42041F	42041-1448	SPROCKET-HUB,48T,AL	1	1			
	(OPTION)						
42041G	42041-1449	SPROCKET-HUB,49T,AL	1	1			
	(OPTION)						
42041H	42041-1450	SPROCKET-HUB,50T,AL	1	1			
42041I	42041-1451	SPROCKET-HUB,51T,AL	1	1			
	(OPTION)						
92033	92033-1041	RING-SNAP,42MM	1	1			
92045	92045-1446	BEARING-BALL,69052RS	3	3			
92049	92049-1614	SEAL-OIL	2	2			
92057	92057-0192	CHAIN,DRIVE, DID520DMA4X114L	1	1			
92058	92058-1074	JOINT-CHAIN,DRIVE	1	1			
92150	92150-1978	BOLT, SOCKET, 8X28	6	6			
92152	92152-1427	COLLAR,REAR BRAKE DRUM,L=106.5	1	1			
92152A	92152-1544	COLLAR,RR HUB	2	2			
92200	92200-1623	WASHER,22.5X35X2.3	1	1			
92210	92210-0493	NUT,FLANGED,LOCK,8MM	6	6			
92210A	92210-0939	NUT, SELF LOCK,22MM	1	1			
410	410AA0800	WASHER-PLAIN-SMALL,8MM	6	6			

This catalog covers:

'15~'16 KX250 ZFF/ZGF Chassis

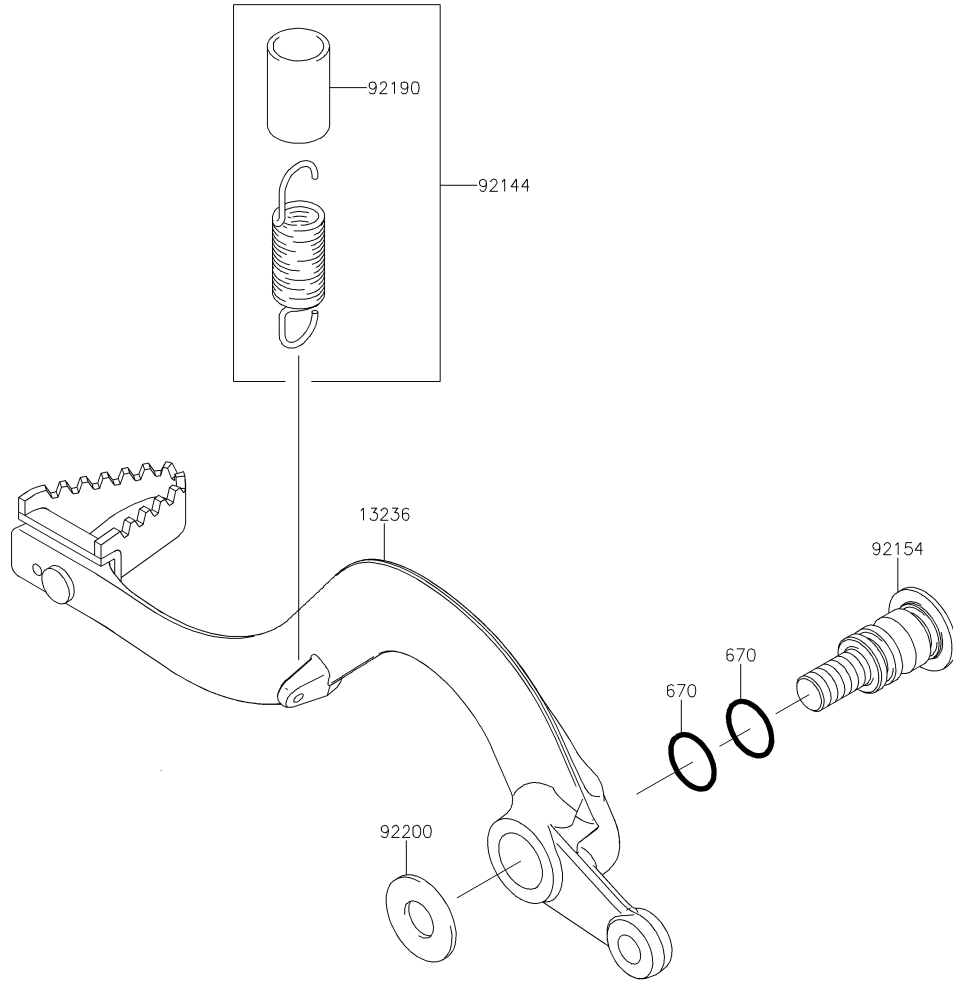
GRID NO.

D-14

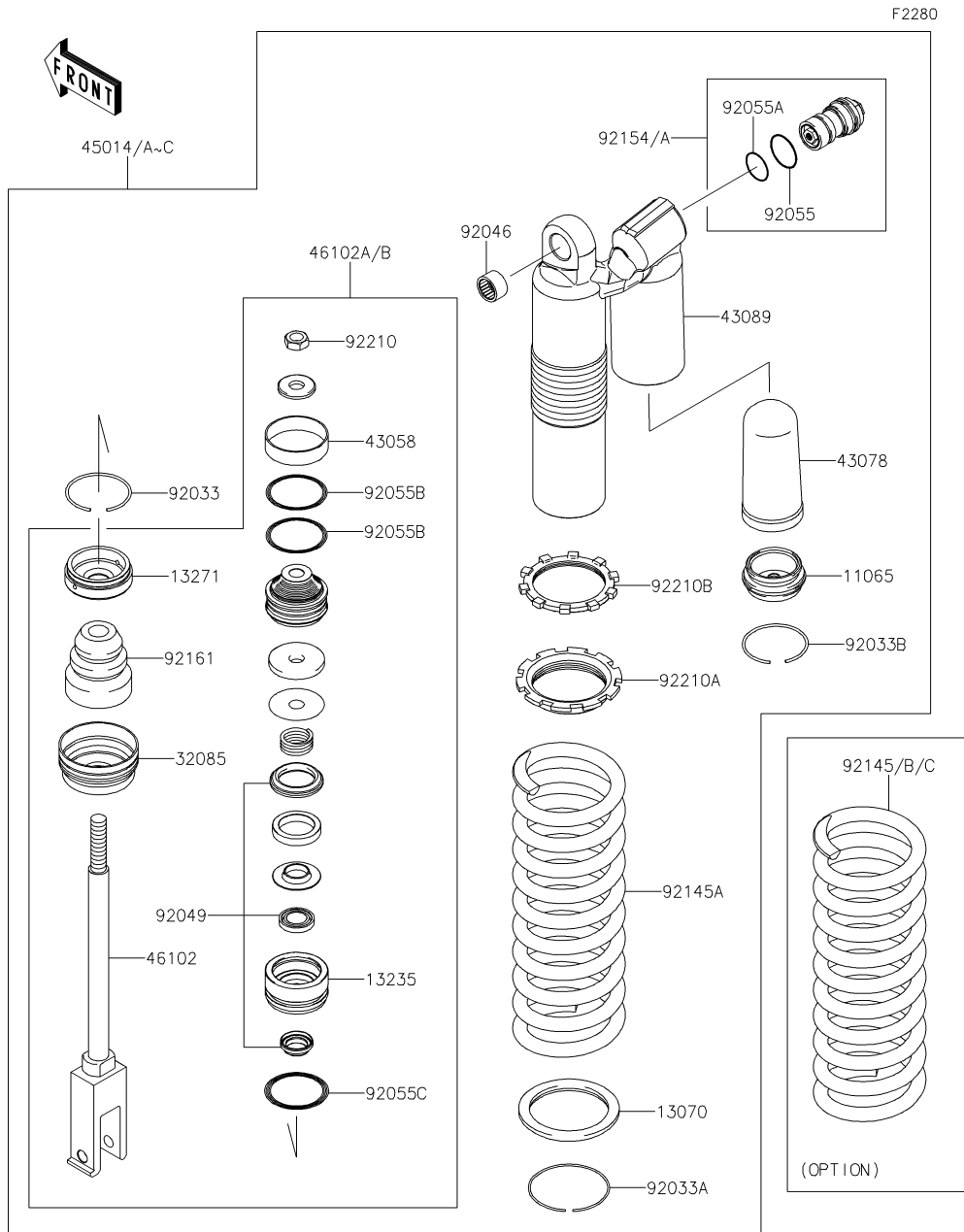
This grid covers:

Brake Pedal

F2260



Ref. No.	Part No.	Description	Spec Code	Quantity-KX250			
				'15	'16		
				ZFF	ZGF		
13236	13236-0097	LEVER-COMP, BRAKE PEDAL	1	1			
92144	92144-1752	SPRING, BRAKE PEDAL RETURN	1	1			
92154	92154-0516	BOLT, BRAKE PEDAL, 10MM	1	1			
92190	92190-1488	TUBE, 13X16X25	1	1			
92200	92200-0154	WASHER, 10.5X24X1.5	1	1			
670	670B2012	O RING, 12MM	2	2			



Ref. No.	Part No.	Description	Spec Code	Quantity-KX250			
				'15	'16		
				ZFF	ZGF		
11065	11065-0340	CAP,CHAMBER	1	1			
13070	13070-0057	GUIDE,SPRING SEAT	1	1			
13235	13235-0003	GUIDE-COMP,ROD	1	1			
13271	13271-0858	PLATE,END	1	1			
32085	32085-0077	STOPPER,SPRING SEAT	1	1			
43058	43058-0012	RING,PISTON	1	1			
43078	43078-0030	RESERVOIR	1	1			
43089	43089-0030	CYLINDER-SHOCKABSORBER	1	1			
45014	45014-0460-37U	SHOCKABSORBER,SPG GRN+AJ GRN					
		L-----	AS	1			
45014A	45014-0460-52C	SHOCKABSORBER,L.GREEN					
		L-----	AS	1			
45014B	45014-0463-37U	SHOCKABSORBER,SPG GRN+AJ GRN					
		L-----	EU	1			
45014C	45014-0463-52C	SHOCKABSORBER,L.GREEN					
		L-----	EU	1			
46102	46102-0574	ROD,PISTON	1	1			
46102A	46102-0597	ROD,PISTON COMP					
		L-----	AS	1	1		
46102B	46102-0598	ROD,PISTON COMP					
		L-----	EU	1	1		
92033	92033-0040	RING-SNAP	1	1			
92033A	92033-0042	RING-SNAP	1	1			
92033B	92033-0076	RING-SNAP	1	1			
92046	92046-1301	BEARING-NEEDLE,7E-HVS16X22X12	1	1			
92049	92049-0151	SEAL-OIL	1	1			
92055	92055-0098	RING-O,PLUG BOLT	1	1			
92055A	92055-0099	RING-O,PLUG BOLT	1	1			
92055B	92055-0100	RING-O	2	2			
92055C	92055-0101	RING-O	1	1			
92145	92145-0465-710 (OPTION)	SPRING,REAR SHOCK,K=49N/MM,GRN	1	1			
92145A	92145-0887-710	SPRING,REAR SHOCK,K=53N/MM,GRN	1	1			
92145B	92145-0888-710 (OPTION)	SPRING,REAR SHOCK,K=51N/MM,GRN	1	1			
92145C	92145-0889-710 (OPTION)	SPRING,REAR SHOCK,K=55N/MM,GRN	1	1			
92154	92154-1573-48W	BOLT,ADJ.,G.B.GREEN	1				
92154A	92154-1573-50Y	BOLT,ADJ,G.B.GREEN		1			
92161	92161-0329	DAMPER,STOPPER	1	1			
92210	92210-0270	NUT,PISTON	1	1			

This catalog covers:

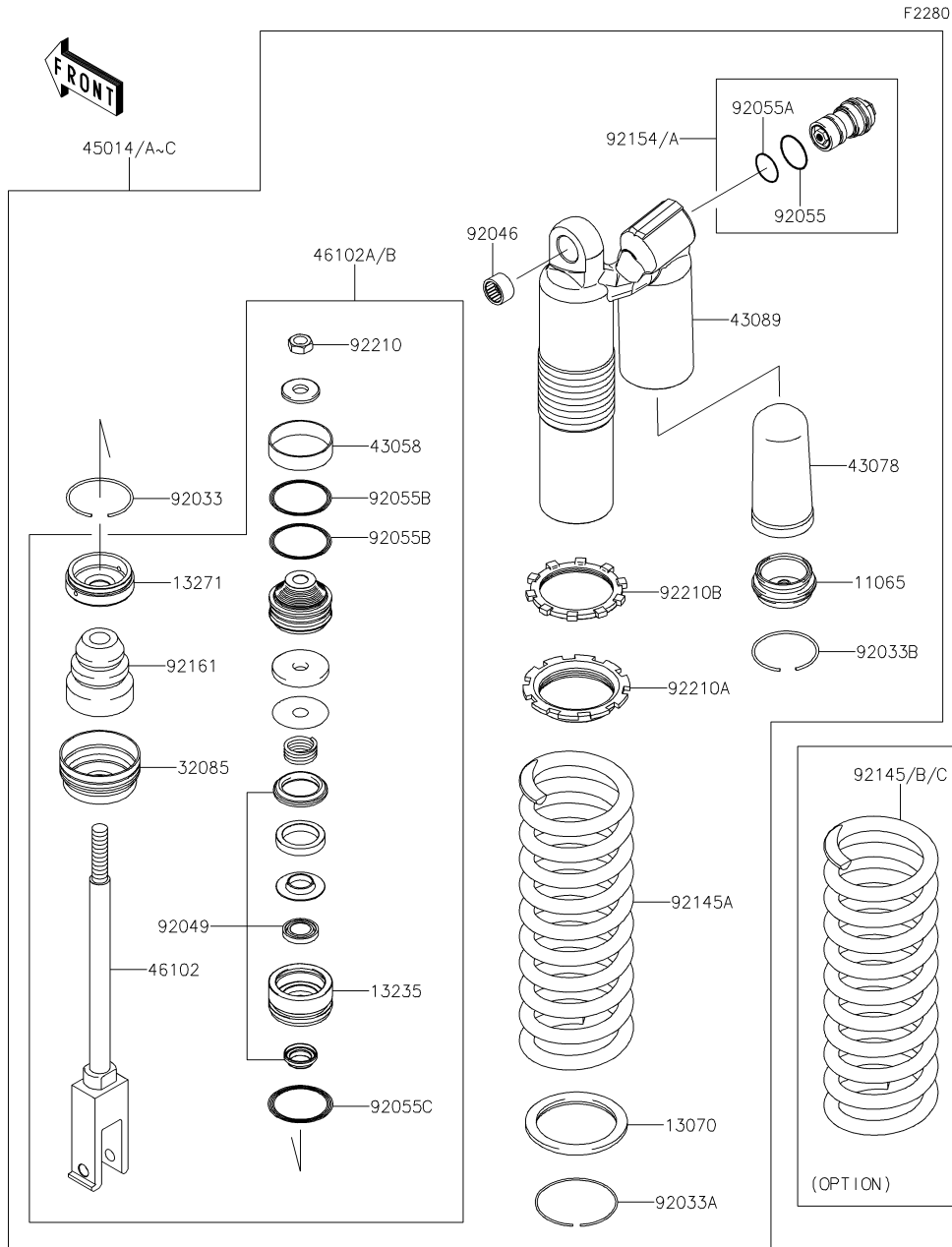
'15~'16 KX250 ZFF/ZGF Chassis

GRID NO.

E-4

This grid covers:

Shock Absorber(s)(2/2)



Ref. No.	Part No.	Description	Spec Code	Quantity-KX250			
				'15	'16	ZFF	ZGF
92210A	92210-0814	NUT,SPRING ADJUSTER		1	1		
92210B	92210-0815	NUT,SPRING ADJUST NUT		1	1		

This catalog covers:

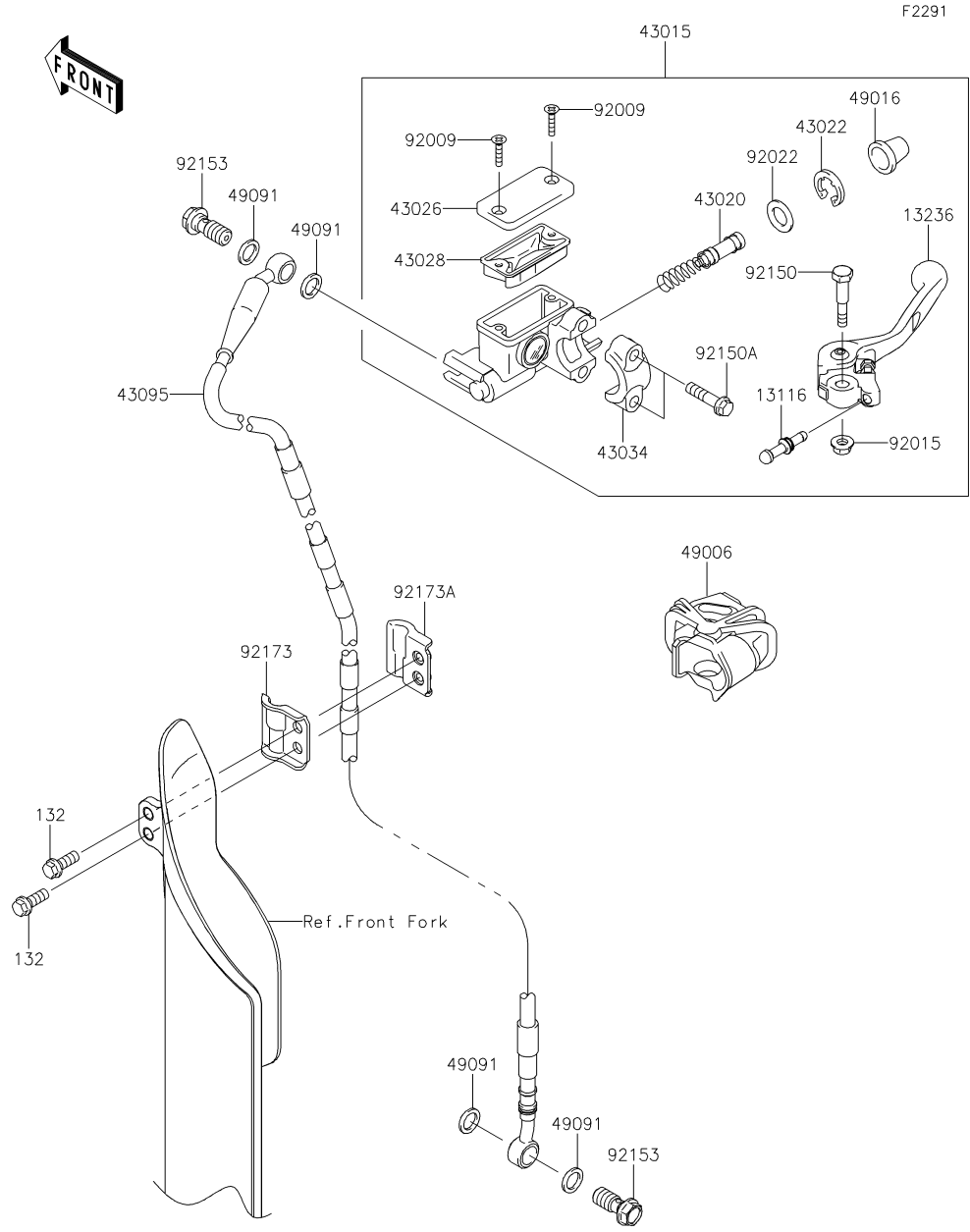
'15~'16 KX250 ZFF/ZGF Chassis

GRID NO.

E-5

This grid covers:

Front Master Cylinder



Ref. No.	Part No.	Description	Spec Code	Quantity-KX250			
				'15	'16		
				ZFF	ZGF		
13116	13116-0043	ROD-PUSH	1	1			
13236	13236-0763	LEVER-COMP,FRONT BRAKE	1	1			
43015	43015-0619	CYLINDER-ASSY-MASTER	1	1			
43020	43020-1115	PISTON-COMP-BRAKE	1	1			
43022	43022-1010	STOPPER-BRAKE,PISTON	1	1			
43026	43026-0020	CAP-BRAKE,MASTER CYLINDER	1	1			
43028	43028-1067	DIAPHRAGM	1	1			
43034	43034-1110	HOLDER-BRAKE	1	1			
43095	43095-0755	HOSE-BRAKE,L=1316	1	1			
49006	49006-0078	BOOT,FRONT BRAKE LEVER	1	1			
49016	49016-1044	COVER-SEAL,MASTER CYLINDER	1	1			
49091	49091-0001	WASHER-SEAL,10.1X14.5X1.5	4	4			
92009	92009-1795	SCREW	2	2			
92015	92015-1528	NUT,FLANGED,6MM	1	1			
92022	92022-1814	WASHER	1	1			
92150	92150-1451	BOLT,LEVER SET	1	1			
92150A	92150-1452	BOLT	2	2			
92153	92153-1419	BOLT,OIL,L=23	2	2			
92173	92173-1177	CLAMP,BRAKE HOSE,LH	1	1			
92173A	92173-1178	CLAMP,BRAKE HOSE,RH	1	1			
132	132BA0616	BOLT-FLANGED-SMALL,6X16	2	2			

This catalog covers:

'15~'16 KX250 ZFF/ZGF Chassis

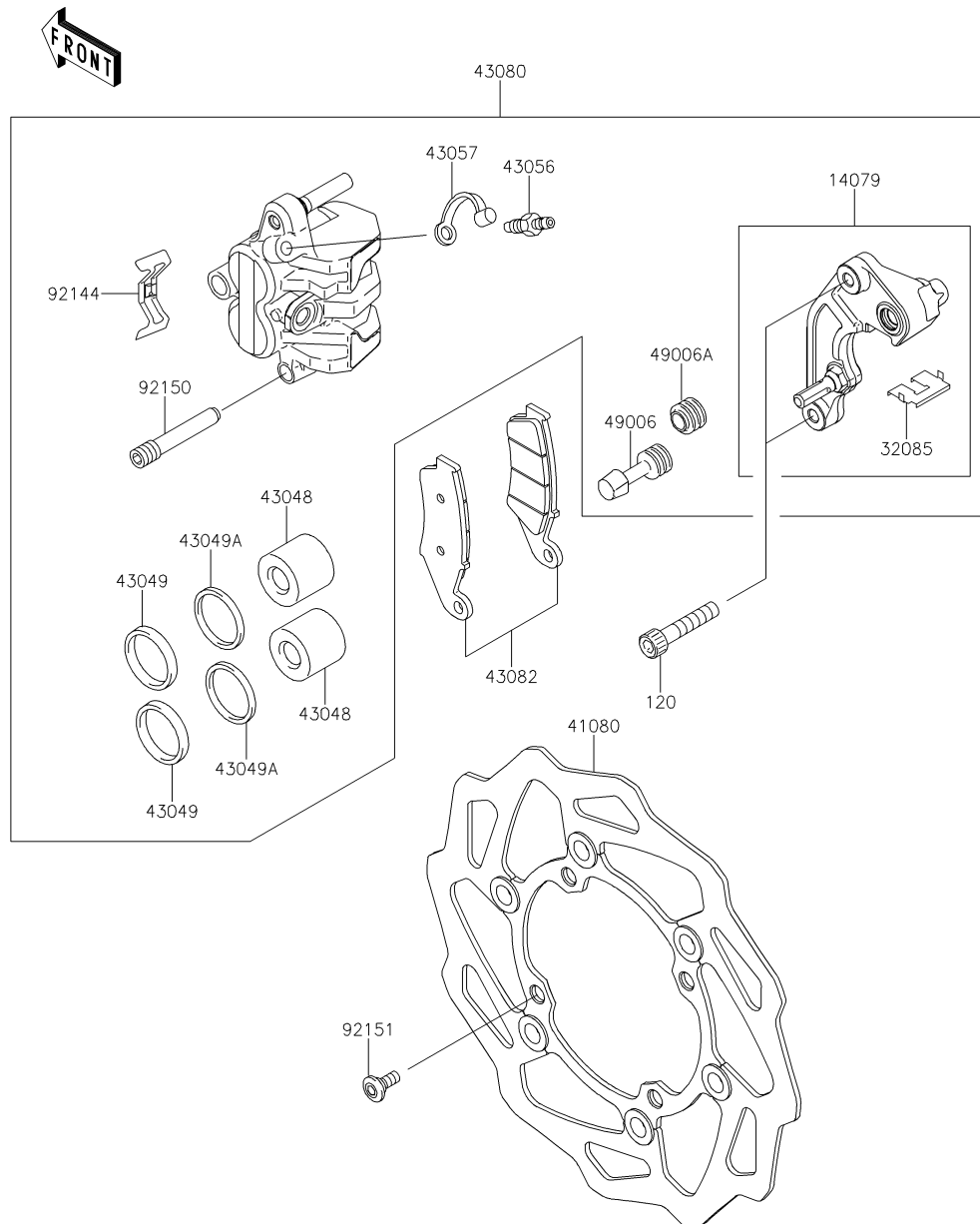
GRID NO.

E-6

This grid covers:

Front Brake

F2292



Ref. No.	Part No.	Description	Spec Code	Quantity-KX250			
				'15	'16		
				ZFF	ZGF		
14079	14079-0586	HOLDER-ASSY,FR CALIPER	1	1			
32085	32085-1361	STOPPER,PAD	1	1			
41080	41080-0616	DISC,FR,270MM	1	1			
43048	43048-1093	PISTON-CALIPER	2	2			
43049	43049-1060	PACKING,PISTON SEAL	2	2			
43049A	43049-1061	PACKING,PISTON SEAL	2	2			
43056	43056-1055	BREATHER	1	1			
43057	43057-1001	CAP-BREATHER	1	1			
43080	43080-0142	CALIPER-SUB-ASSY,FR	1	1			
43082	43082-0132	PAD-ASSY-BRAKE	1	1			
49006	49006-1088	BOOT,CALIPER	1	1			
49006A	49006-1242	BOOT,CALIPER	1	1			
92144	92144-1721	SPRING,PAD	1	1			
92150	92150-1691	BOLT,HANGER	1	1			
92151	92151-1799	BOLT,DISC PLATE,6MM	4	4			
120	120CA0840	BOLT-SOCKET,8X40	2	2			

This catalog covers:

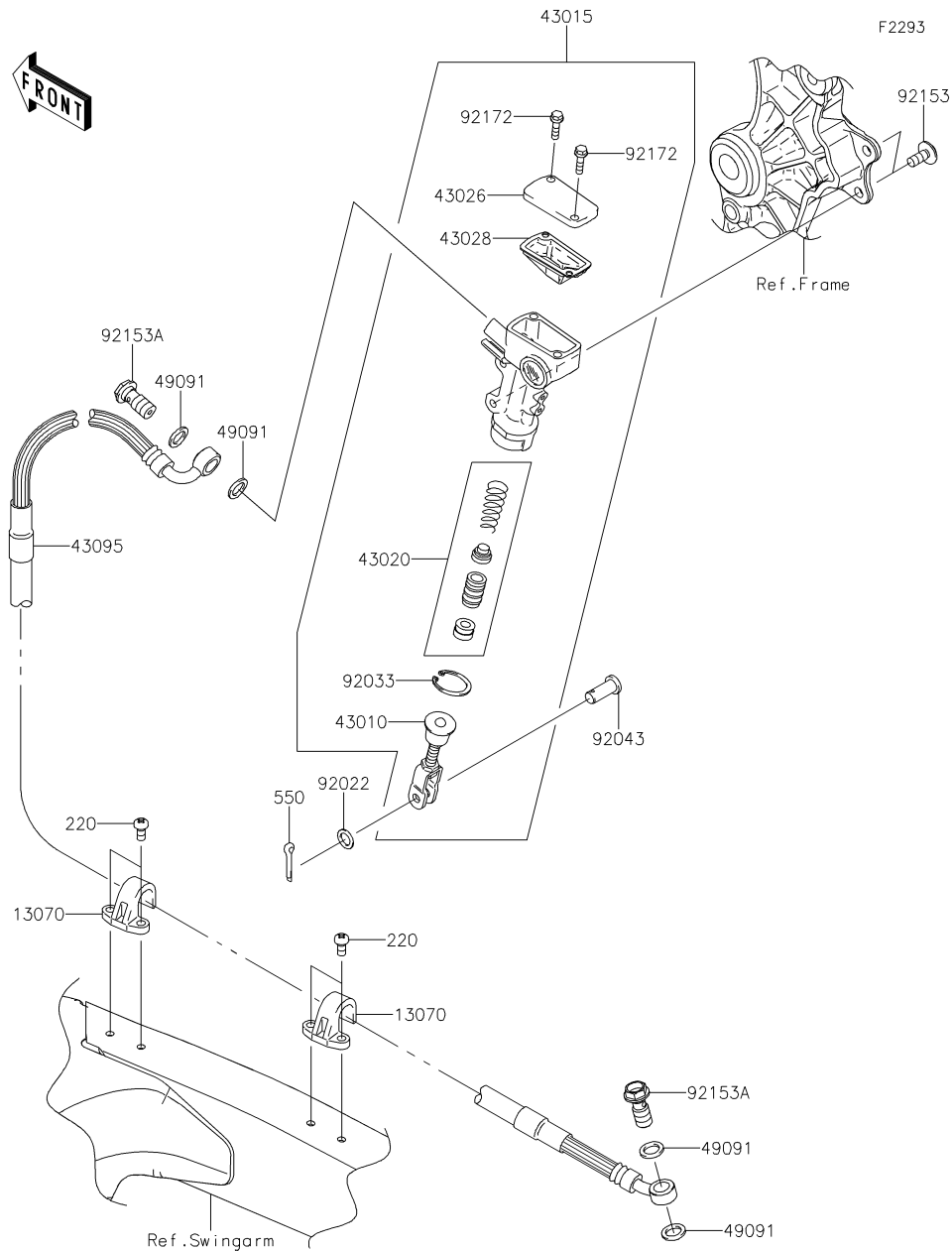
'15~'16 KX250 ZFF/ZGF Chassis

GRID NO.

E-7

This grid covers:

Rear Master Cylinder



Ref. No.	Part No.	Description	Spec Code	Quantity-KX250			
				'15	'16		
				ZFF	ZGF		
13070	13070-0048	GUIDE,BRAKE HOSE	2	2			
43010	43010-1087	ROD-ASSY-BRAKE	1	1			
43015	43015-0168	CYLINDER-ASSY-MASTER	1	1			
43020	43020-1094	PISTON-COMP-BRAKE	1	1			
43026	43026-0023	CAP-BRAKE	1	1			
43028	43028-1092	DIAPHRAGM	1	1			
43095	43095-0617	HOSE-BRAKE,L=555	1	1			
49091	49091-0001	WASHER-SEAL,10.1X14.5X1.5	4	4			
92022	92022-1028	WASHER,8.5X13X1	1	1			
92033	92033-0079	RING-SNAP,20.9X24.6X1.2	1	1			
92043	92043-0004	PIN	1	1			
92153	92153-1021	BOLT,SOCKET,6X14	2	2			
92153A	92153-1419	BOLT,OIL,L=23	2	2			
92172	92172-1064	SCREW	2	2			
220	220AA0510	SCREW-PAN-CROS,5X10	4	4			
550	550AA2015	PIN-COTTER,2.0X15	1	1			

This catalog covers:

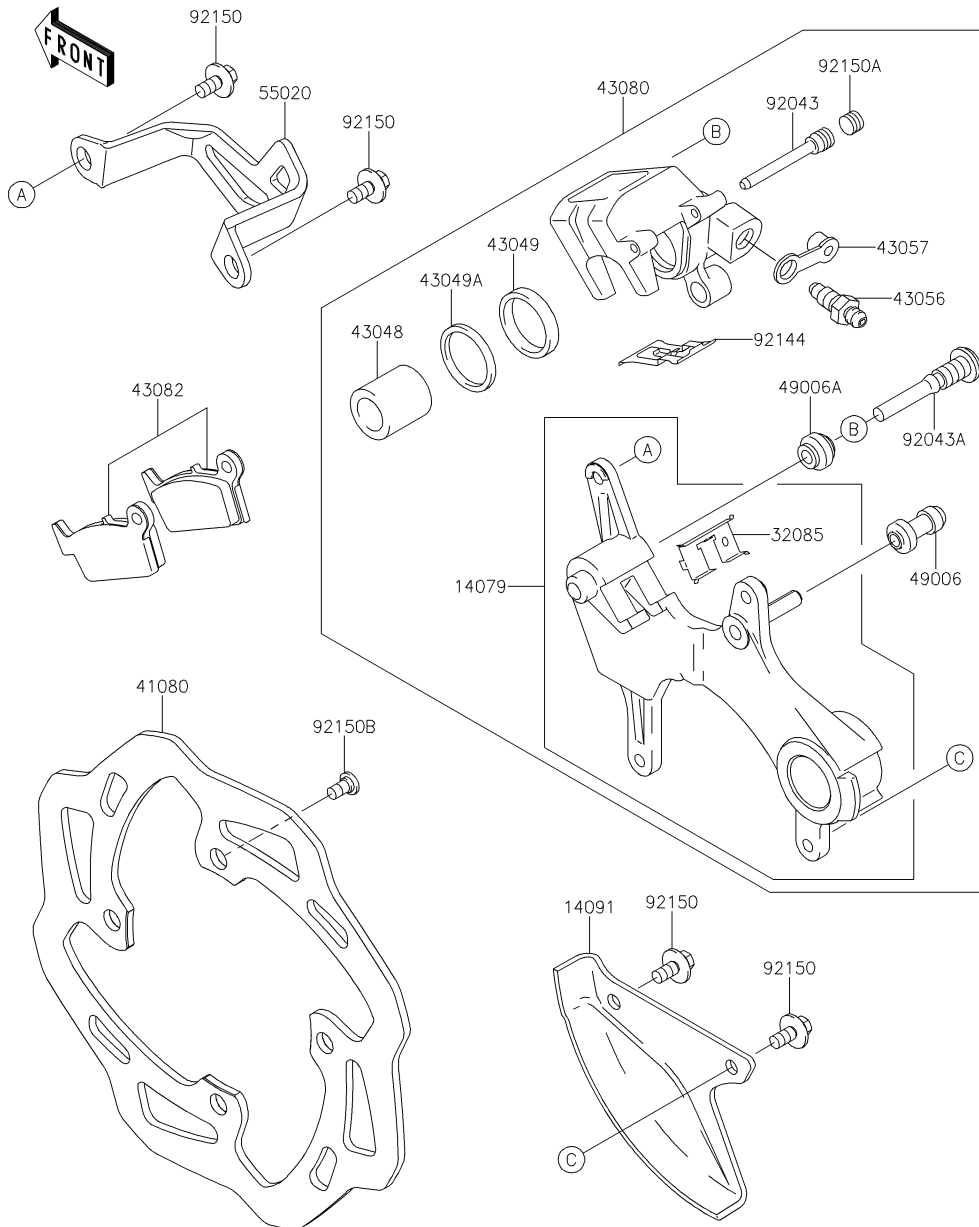
'15~'16 KX250 ZFF/ZGF Chassis

GRID NO.

E-8

This grid covers:

Rear Brake



F2294

Ref. No.	Part No.	Description	Spec Code	Quantity-KX250			
				'15	'16		
				ZFF	ZGF		
14079	14079-0022	HOLDER-ASSY,REAR CALIPER	1	1			
14091	14091-1523-6C	COVER,REAR DISC,EBONY	1	1			
32085	32085-1386	STOPPER,PAD	1	1			
41080	41080-0618	DISC,RR,240MM	1	1			
43048	43048-1066	PISTON-CALIPER	1	1			
43049	43049-1063	PACKING	1	1			
43049A	43049-1064	PACKING	1	1			
43056	43056-1055	BREATHER	1	1			
43057	43057-1001	CAP-BREATHER	1	1			
43080	43080-0037	CALIPER-SUB-ASSY,RR	1	1			
43082	43082-0107	PAD-ASSY-BRAKE	1	1			
49006	49006-1088	BOOT,CALIPER	1	1			
49006A	49006-1242	BOOT,CALIPER	1	1			
55020	55020-0458-6C	GUARD,REAR CALIPER,EBONY	1	1			
92043	92043-1507	PIN,HANGER	1	1			
92043A	92043-1508	PIN	1	1			
92144	92144-1819	SPRING,PAD	1	1			
92150	92150-1340	BOLT,6X14	4	4			
92150A	92150-1692	BOLT,PLUG	1	1			
92150B	92150-1811	BOLT,DISC PLATE,8X15	4	4			

This catalog covers:

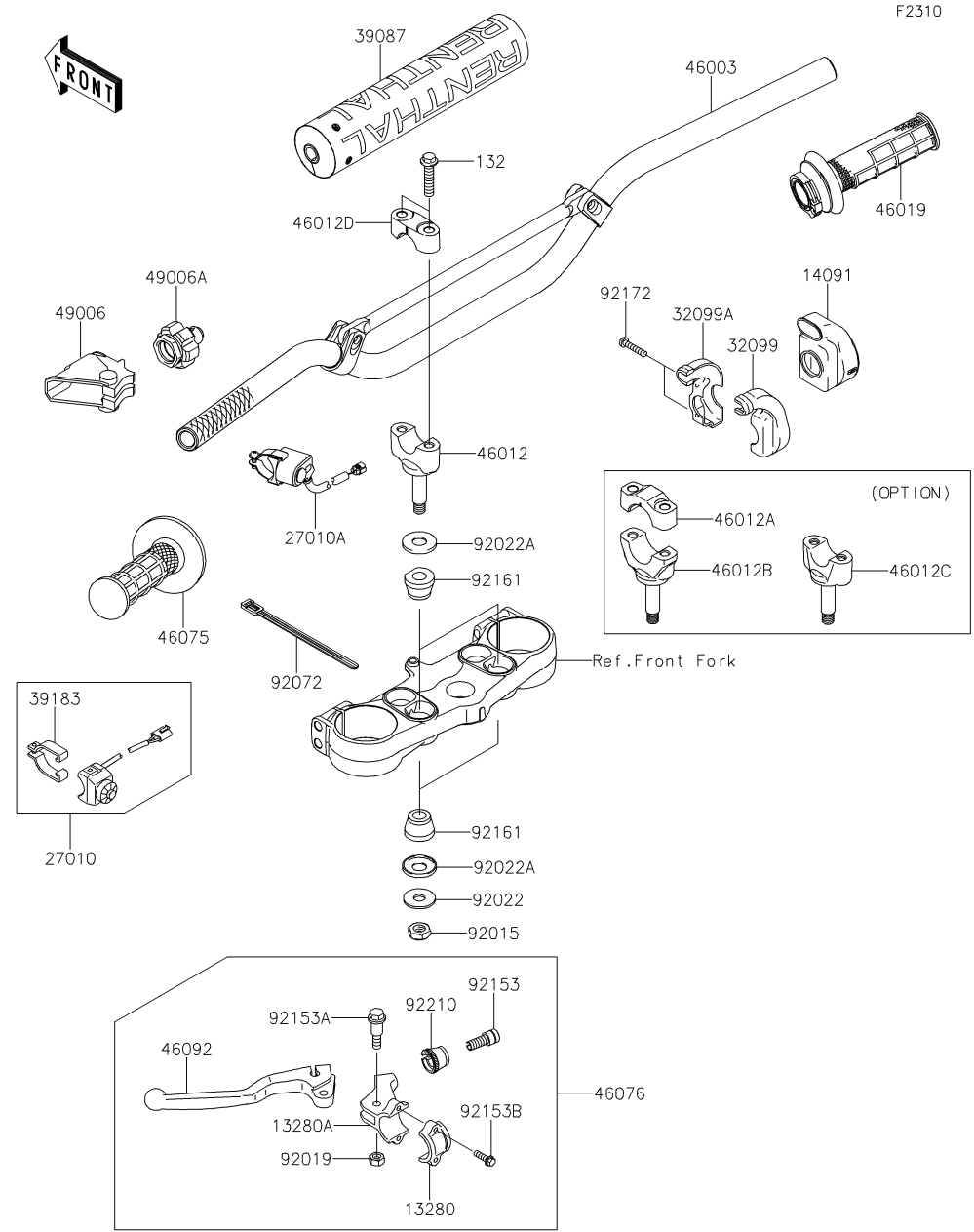
'15~'16 KX250 ZFF/ZGF Chassis

GRID NO.

E-9

This grid covers:

Handlebar



Ref. No.	Part No.	Description	Spec Code	Quantity-KX250			
				'15	'16		
				ZFF	ZGF		
13280	13280-0055	HOLDER		1	1		
13280A	13280-0118	HOLDER,CLUTCH LEVER		1	1		
14091	14091-0182	COVER,THROTTLE CASE		1	1		
27010	27010-0047	SWITCH,ENGINE STOP		1	1		
27010A	27010-0725	SWITCH		1	1		
32099	32099-0002	CASE,THROTTLE,RR		1	1		
32099A	32099-0003	CASE,THROTTLE,FR		1	1		
39087	39087-0004	PAD-HANDLE		1	1		
39183	39183-1059	BAND-ASSY,SWITCH		1	1		
46003	46003-0572	HANDLE,RENTHAL,K971		1	1		
46012	46012-0013-21	HOLDER-HANDLE,LWR,F.BLACK		2	2		
46012A	46012-0020-21 (OPTION)	HOLDER-HANDLE,UPP,FAT BAR,BLK		2	2		
46012B	46012-0021-21 (OPTION)	HOLDER-HANDLE,LWR,FAT BAR,BLK		2	2		
46012C	46012-0048-21 (OPTION)	HOLDER-HANDLE,LWR,F.BLACK		2	2		
46012D	46012-0324-21	HOLDER-HANDLE,UPP,F.BLACK		2	2		
46019	46019-0041	GRIP-ASSY,THROTTLE		1	1		
46075	46075-0072	GRIP,LH		1	1		
46076	46076-0019	LEVER-ASSY-GRIP,CLUTCH		1	1		
46092	46092-0007	LEVER-GRIP,CLUTCH		1	1		
49006	49006-0030	BOOT,CLUTCH LEVER		1	1		
49006A	49006-0060	BOOT,CLUTCH CABLE		1	1		
92015	92015-1962	NUT,LOCK,10MM		2	2		
92019	92019-008	NUT,LOCK,6MM		1	1		
92022	92022-1088	WASHER,10.2X28X2		2	2		
92022A	92022-1737	WASHER		4	4		
92072	92072-1293	BAND,L=140		1	1		
92153	92153-0773	BOLT,BOLT ADJUSTING		1	1		
92153A	92153-0807	BOLT		1	1		
92153B	92153-0808	BOLT,5X16		2	2		
92161	92161-0929	DAMPER,HANDLE HOLDER		4	4		
92172	92172-0069	SCREW,5X20		2	2		
92210	92210-0167	NUT,BOLT WIRE ADJUSTING		1	1		
132	132BA0835	BOLT-FLANGED-SMALL,8X35		4	4		

This catalog covers:

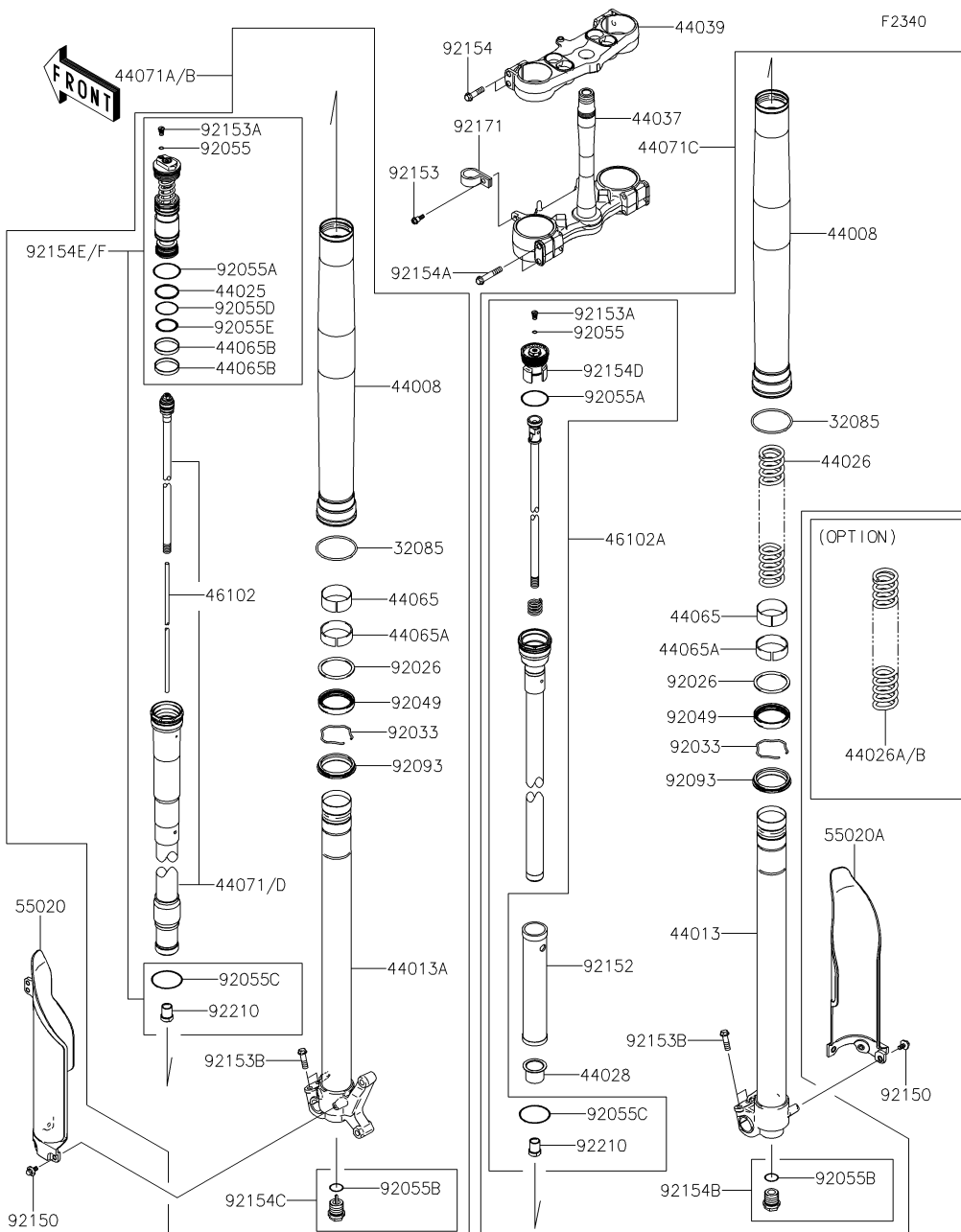
'15~'16 KX250 ZFF/ZGF Chassis

GRID NO.

E-10

This grid covers:

Front Fork(1/2)



Ref. No.	Part No.	Description	Spec Code	Quantity-KX250			
				'15	'16		
				ZFF	ZGF		
32085	32085-0711	STOPPER	2	2			
44008	44008-0076	PIPE-FORK OUTER	2	2			
44013	44013-0249	PIPE-FORK INNER,RH	1	1			
44013A	44013-0250	PIPE-FORK INNER,LH	1	1			
44025	44025-0052	RING-FORK PISTON	1	1			
44026	44026-0181	SPRING-FRONT FORK	1	1			
44026A	44026-0182	SPRING-FRONT FORK,K=9.2N/MM	1	1			
44026B	44026-0183	(OPTION) SPRING-FRONT FORK,K=10.0N/MM	1	1			
44028	44028-0055	GUIDE-FORK SPRING	1	1			
44037	44037-0133-21	HOLDER-FORK UNDER,F.BLACK	1	1			
44039	44039-0143-21	HOLDER-FORK UPPER,F.BLACK	1	1			
44065	44065-0059	BUSHING-FRONT FORK,SLIDE	2	2			
44065A	44065-0060	BUSHING-FRONT FORK,GUIDE	2	2			
44065B	44065-0061	BUSHING-FRONT FORK	2	2			
44071	44071-0917	DAMPER-ASSY,COMP					
	L-----	AS	1	1			
44071A	44071-0955	DAMPER-ASSY,FORK,LH					
	L-----	AS	1	1			
44071B	44071-0963	DAMPER-ASSY,FORK,LH					
	L-----	EU	1	1			
44071C	44071-1076	DAMPER-ASSY,FORK,RH	1	1			
44071D	44071-1085	DAMPER-ASSY,COMP					
	L-----	EU	1	1			
46102	46102-0579	ROD,PUSH	1	1			
46102A	46102-0603	ROD,JOINT	1	1			
55020	55020-0441-6C	GUARD,FORK,LH,EBONY	1	1			
55020A	55020-0442-6C	GUARD,FORK,RH,EBONY	1	1			
92026	92026-0737	SPACER,SEAL	2	2			
92033	92033-0720	RING-SNAP	2	2			
92049	92049-0735	SEAL-OIL	2	2			
92055	92055-0094	RING-O	2	2			
92055A	92055-0131	RING-O	2	2			
92055B	92055-0743	RING-O	2	2			
92055C	92055-0744	RING-O	2	2			
92055D	92055-0745	RING-O	1	1			
92055E	92055-0746	RING-O	1	1			
92093	92093-0584	SEAL,DUST	2	2			
92150	92150-1340	BOLT,6X14	6	6			
92152	92152-1652	COLLAR	1	1			

This catalog covers:

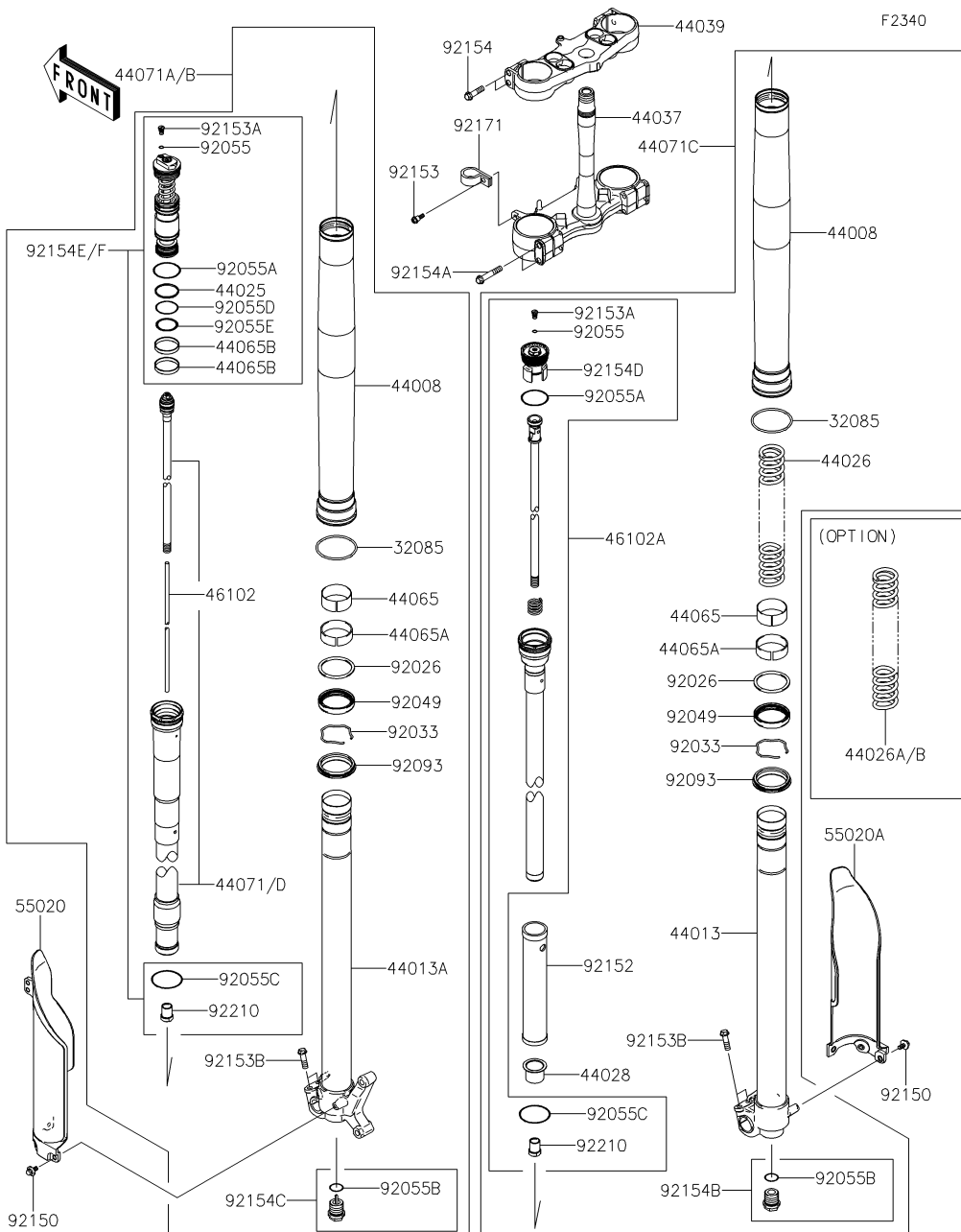
'15~'16 KX250 ZFF/ZGF Chassis

GRID NO.

E-11

This grid covers:

Front Fork(2/2)



Ref. No.	Part No.	Description	Spec Code	Quantity-KX250			
				'15	'16		
				ZFF	ZGF		
92153	92153-1397	BOLT,FLANGED	1	1			
92153A	92153-1398	BOLT,PLUG	2	2			
92153B	92153-1399	BOLT,FLANGED,8X40	4	4			
92154	92154-0463	BOLT	4	4			
92154A	92154-0464	BOLT	4	4			
92154B	92154-1057	BOLT,CENTER,RH	1	1			
92154C	92154-1059	BOLT,CENTER,LH	1	1			
92154D	92154-1569	BOLT,ADJ.	1	1			
92154E	92154-1570	BOLT,FORK			AS	1 1	
92154F	92154-1571	BOLT,FORK			EU	1 1	
92171	92171-0506	CLAMP,BRAKE HOSE	1	1			
92210	92210-0430	NUT,LOCK	2	2			

This catalog covers:

'15~'16 KX250 ZFF/ZGF Chassis

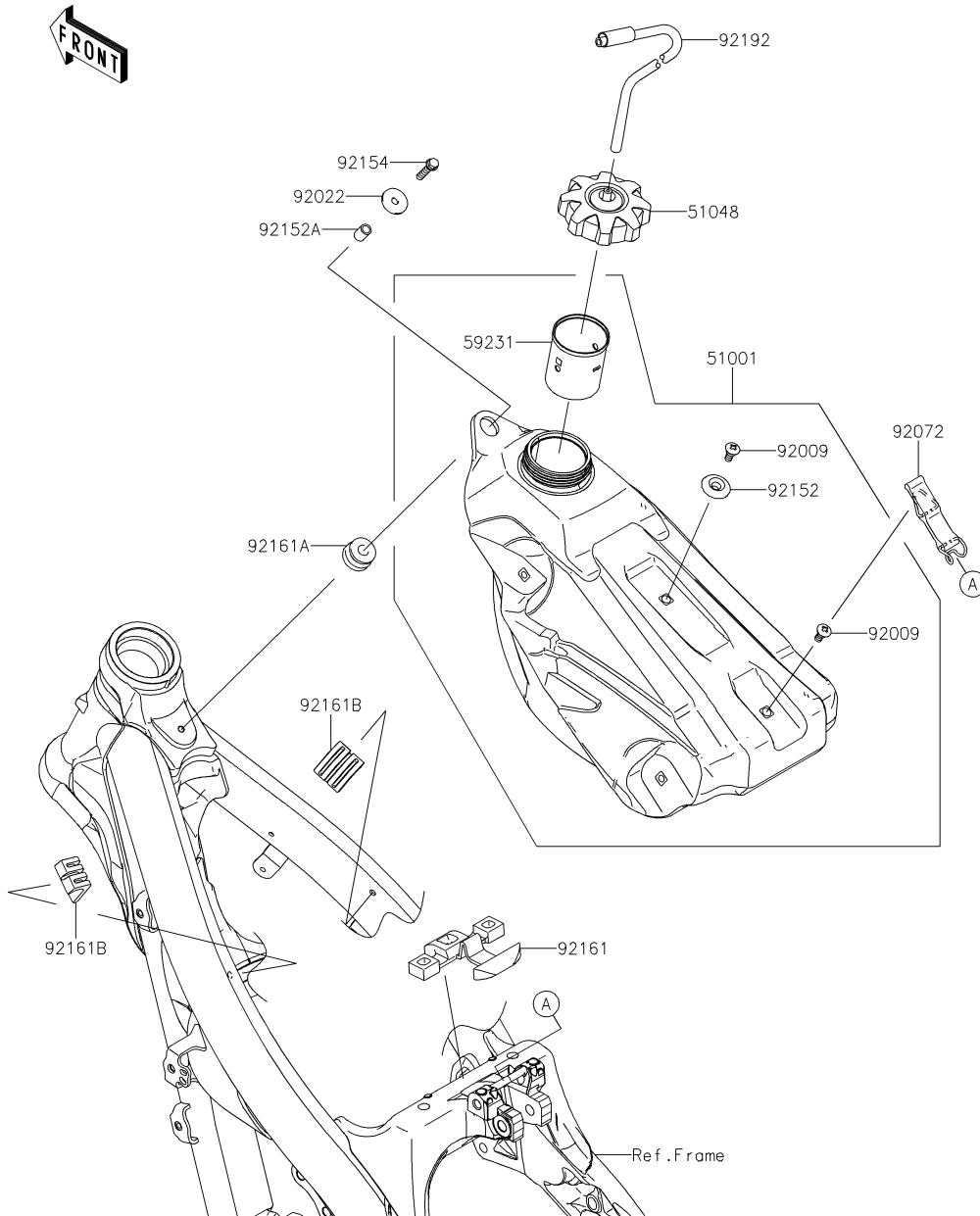
GRID NO.

E-12

This grid covers:

Fuel Tank

F2410



Ref. No.	Part No.	Description	Quantity-KX250			
			'15	'16		
			ZFF	ZGF		
51001	51001-0735	TANK-COMP-FUEL	1	1		
51048	51048-0031	CAP-ASSY-TANK,FUEL	1	1		
59231	59231-0042	FILLER	1	1		
92009	92009-1971	SCREW,6MM	2	2		
92022	92022-1690	WASHER,6.5X24X2	1	1		
92072	92072-0045	BAND,FUEL TANK	1	1		
92152	92152-0569	COLLAR	1	1		
92152A	92152-1552	COLLAR,6.8X10X16	1	1		
92154	92154-0520	BOLT,FLANGED,6X25	1	1		
92161	92161-1377	DAMPER,FUEL TANK,RR	1	1		
92161A	92161-1392	DAMPER,FUEL TANK,FR	1	1		
92161B	92161-1393	DAMPER,FUEL TANK,SIDE	2	2		
92192	92192-0161	TUBE	1	1		

This catalog covers:

'15~'16 KX250 ZFF/ZGF Chassis

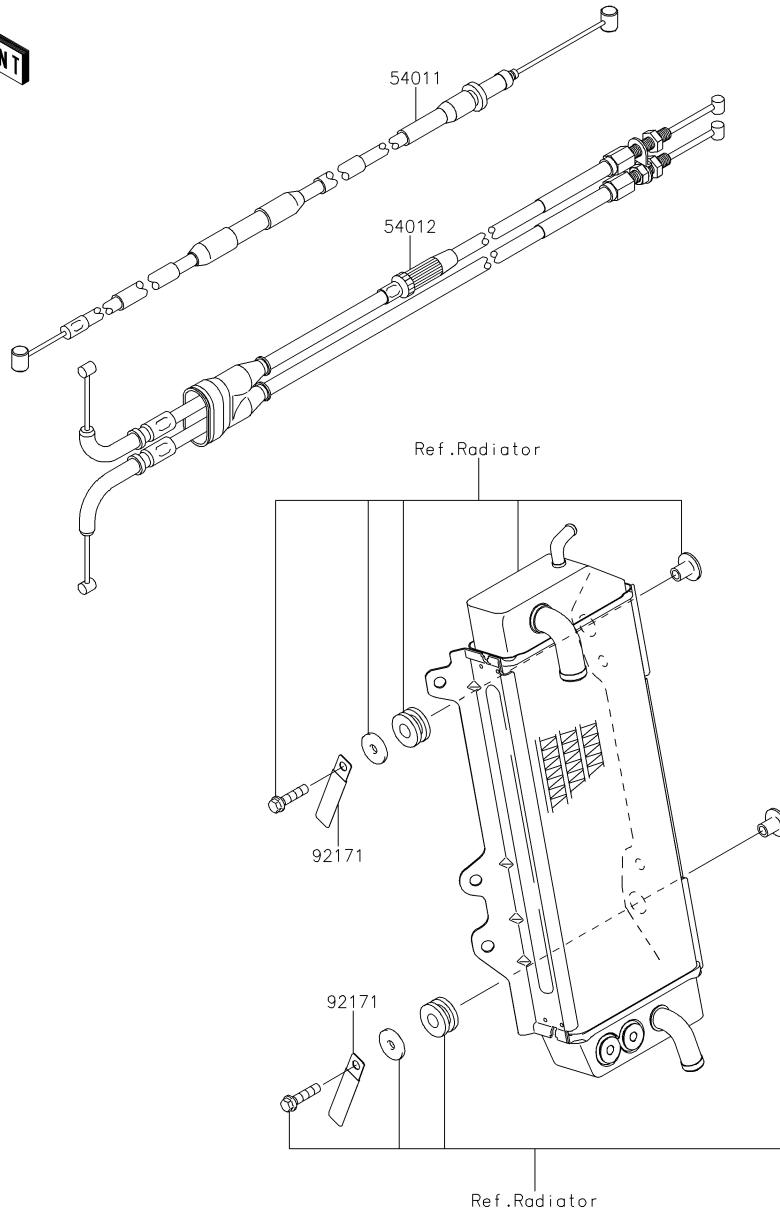
GRID NO.

E-13

This grid covers:

Cables

F2540



Ref. No.	Part No.	Description	Spec Code	Quantity-KX250			
				'15	'16		
				ZFF	ZGF		
54011	54011-0569	CABLE-CLUTCH		1	1		
54012	54012-0591	CABLE-THROTTLE		1	1		
92171	92171-0652	CLAMP,L=60		2	2		

This catalog covers:

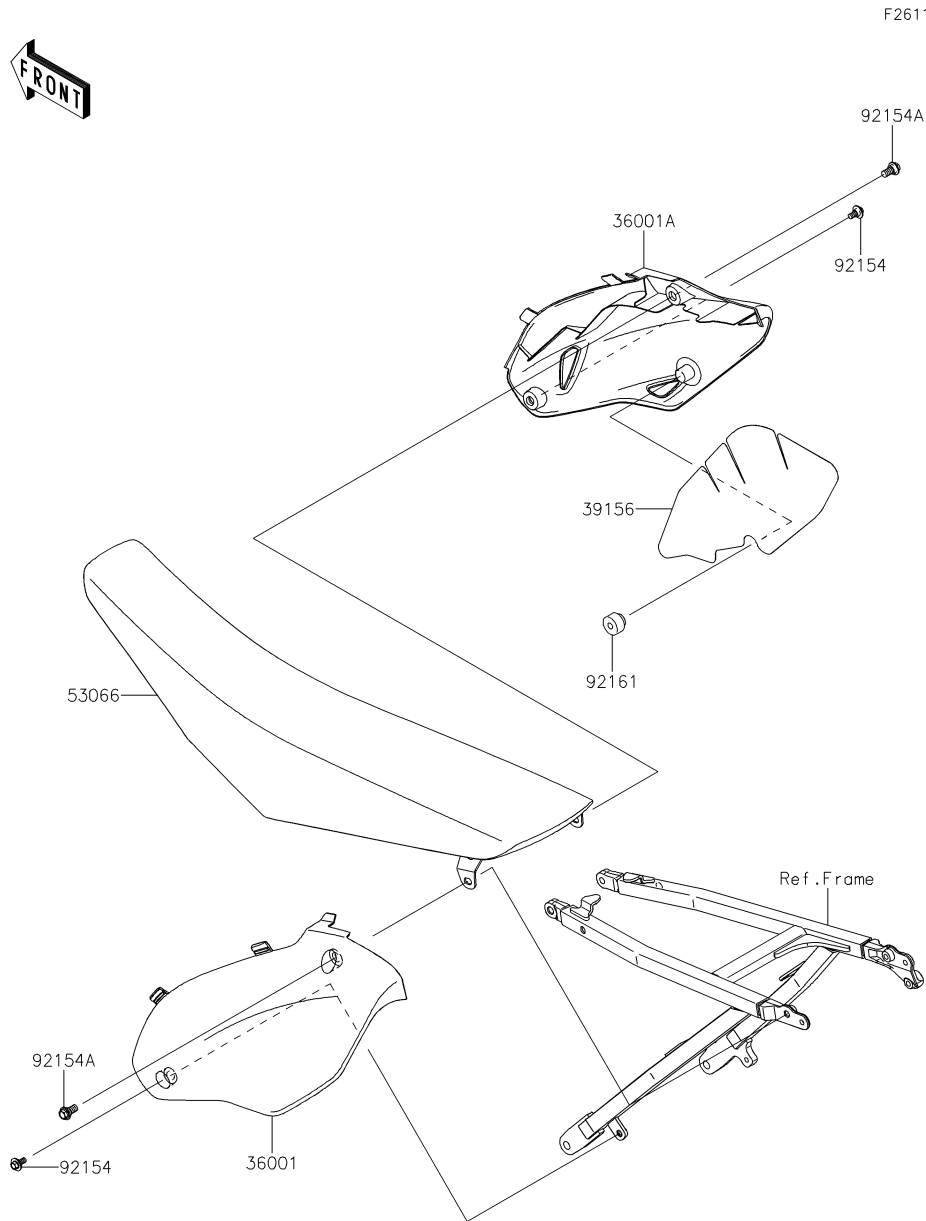
'15~'16 KX250 ZFF/ZGF Chassis

GRID NO.

E-14

This grid covers:

Side Covers



Ref. No.	Part No.	Description	Spec Code	Quantity-KX250			
				'15	'16		
				ZFF	ZGF		
36001	36001-0598-266	COVER-SIDE,LH,B.WHITE	1	1			
36001A	36001-0600-266	COVER-SIDE,RH,B.WHITE	1	1			
39156	39156-0677	PAD,SIDE COVER,RH	1	1			
53066	53066-0481-49F	SEAT-ASSY,GREEN/BLACK	1	1			
92154	92154-0546	BOLT,FLANGED,6X9	2	2			
92154A	92154-0547	BOLT,FLANGED,8X16	2	2			
92161	92161-0073	DAMPER	1	1			

This catalog covers:

'15~'16 KX250 ZFF/ZGF Chassis

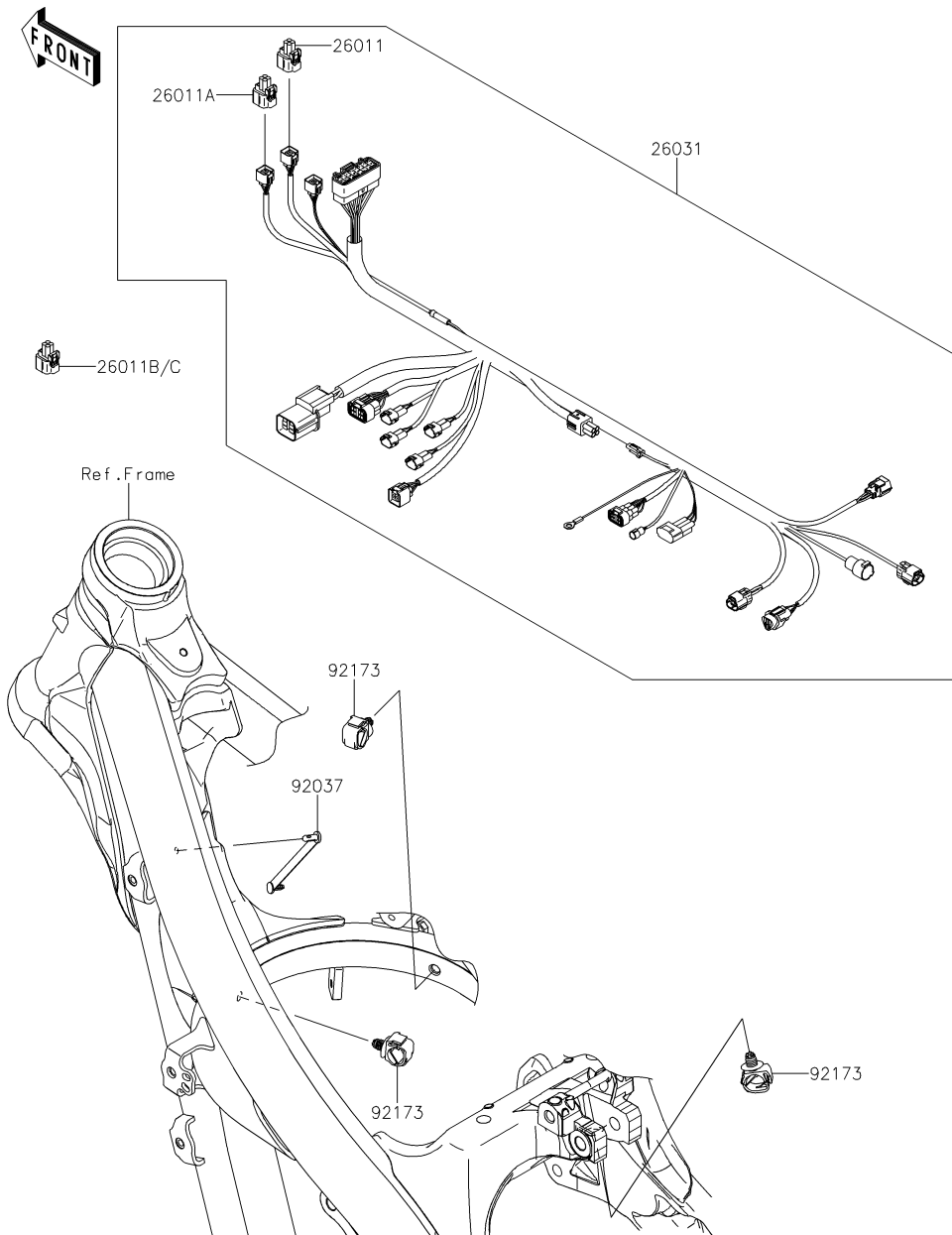
GRID NO.

F-3

This grid covers:

Chassis Electrical Equipment

F2760



Ref. No.	Part No.	Description	Spec Code	Quantity-KX250			
				'15	'16		
				ZFF	ZGF		
26011	26011-0273	WIRE-LEAD,NATURAL	1	1			
26011A	26011-0727	WIRE-LEAD,GREEN	1	1			
26011B	26011-0728	WIRE-LEAD,MODE SELECT,BLACK	1	1			
26011C	26011-0748	WIRE-LEAD,MODE SELECT,WHITE	1	1			
26031	26031-1558	HARNESS,MAIN	1	1			
92037	92037-1903	CLAMP,SPEED,L=80.5	1	1			
92173	92173-0861	CLAMP	3	3			

This catalog covers:

'15~'16 KX250 ZFF/ZGF Chassis

GRID NO.

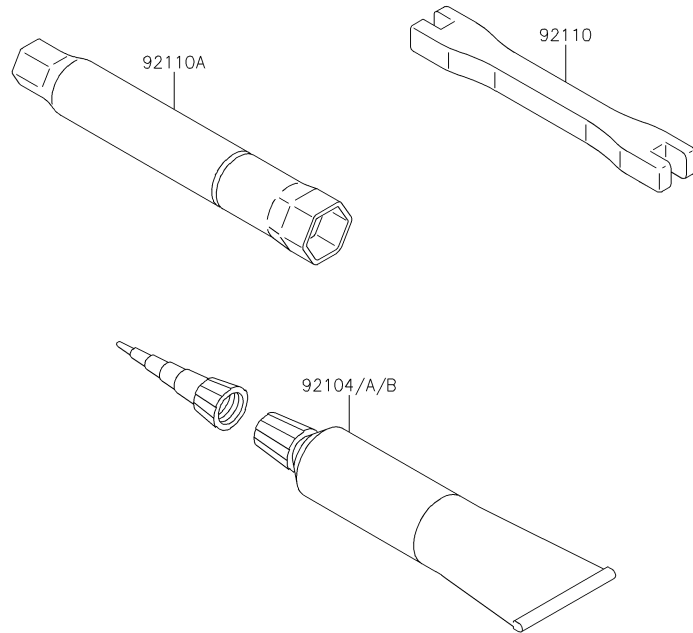
F-4

This grid covers:

Owner's Tools

F2810

Ref. No.	Part No.	Description	Spec Code	Quantity-KX250			
				'15	'16		
				ZFF	ZGF		
92104	92104-0004	GASKET-LIQUID,TB1211F,CLEAR		1	1		
92104A	92104-1063	GASKET-LIQUID,TB1216,GRAY		1	1		
92104B	92104-1064	GASKET-LIQUID,TB1216B,BLACK		1	1		
92110	92110-0004	TOOL-WRENCH,NIPPLE,6X8		1	1		
92110A	92110-0005	TOOL-WRENCH,BOX,16MM		1	1		



This catalog covers:

'15~'16 KX250 ZFF/ZGF Chassis

GRID NO.

F-5

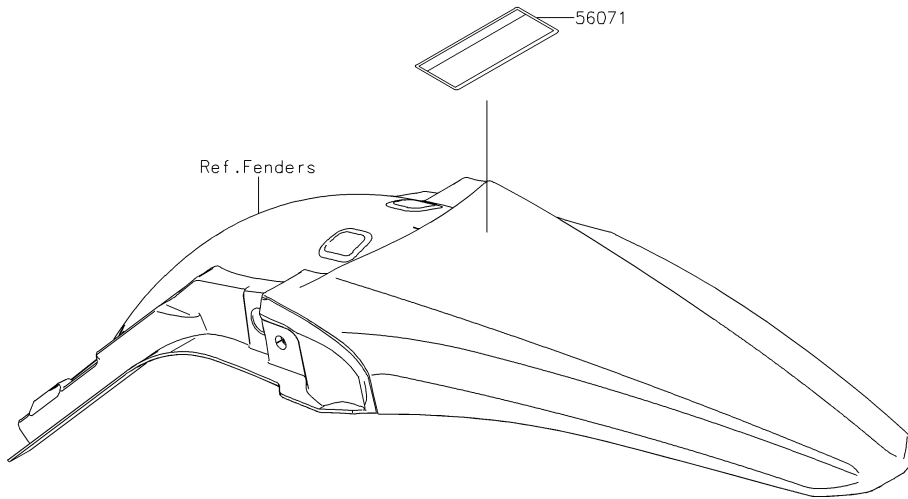
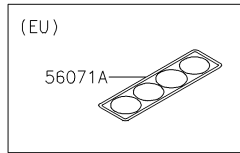
This grid covers:

Labels

F2860



Ref. No.	Part No.	Description	Spec Code	Quantity-KX250			
				'15	'16		
				ZFF	ZGF		
56071	56071-0028	LABEL-WARNING,IMPORTANT NOTICE					
		L-----	AS	1	1		
56071A	56071-0416	LABEL-WARNING,RACE ONLY					
		L-----	EU	1	1		



This catalog covers:

'15~'16 KX250 ZFF/ZGF Chassis

GRID NO.

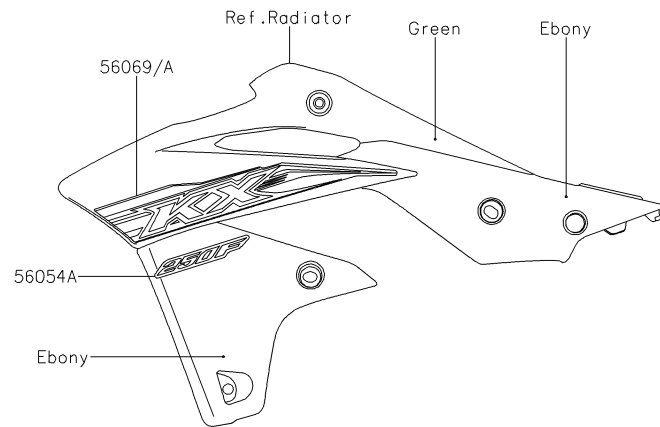
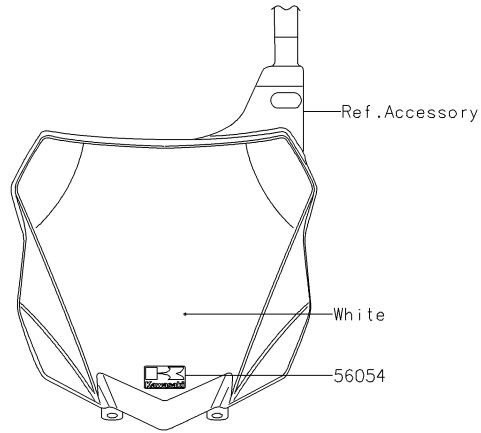
F-6

This grid covers:

Decals(ZFF)

F2861

Ref. No.	Part No.	Description	Spec Code	Quantity-KX250			
				'15	'16		
				ZFF	ZGF		
56054	56054-1282	MARK,NUMBER PLATE					1
56054A	56054-1533	MARK,SHROUD,250F					2
56069	56069-7453	PATTERN,SHROUD,UPP,LH					1
56069A	56069-7454	PATTERN,SHROUD,UPP,RH					1



This catalog covers:

'15~'16 KX250 ZFF/ZGF Chassis

GRID NO.

F-7

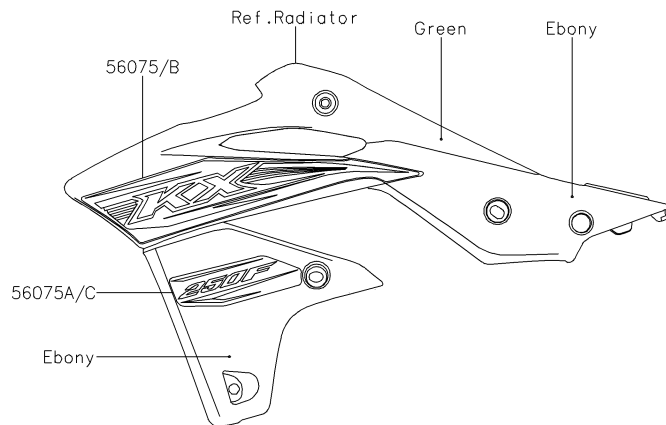
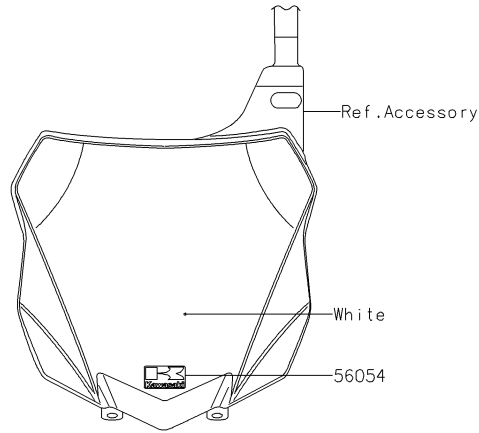
This grid covers:

Decals(ZGF)

F2861A

Ref. No.	Part No.	Description	Spec Code	Quantity-KX250			
				'15	'16		
				ZFF	ZGF		

56054	56054-1282	MARK,NUMBER PLATE					1
56075	56075-0794	PATTERN,SHROUD,LH,UPP					1
56075A	56075-0795	PATTERN,SHROUD,LH,LWR					1
56075B	56075-0796	PATTERN,SHROUD,RH,UPP					1
56075C	56075-0797	PATTERN,SHROUD,RH,LWR					1



This catalog covers:

'15~'16 KX250 ZFF/ZGF Chassis

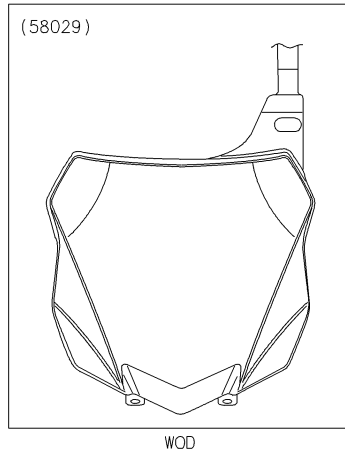
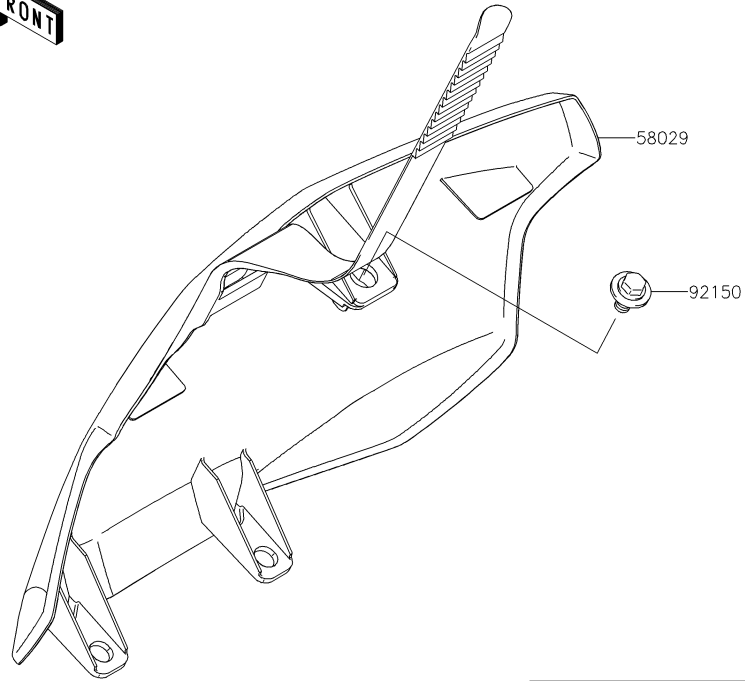
GRID NO.

F-8

This grid covers:

Accessory

F2910



Ref. No.	Part No.	Description	Spec Code	Quantity-KX250			
				'15	'16		
				ZFF	ZGF		
58029	58029-0056-266	PLATE-NUMBER,B.WHITE	1	1			
92150	92150-1435	BOLT,6X12	1	1			

This catalog covers:

'15~'16 KX250 ZFF/ZGF Chassis

GRID NO.

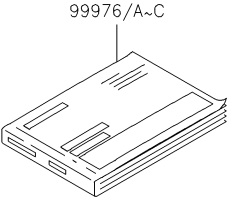
F-9

This grid covers:

Manual(EU)

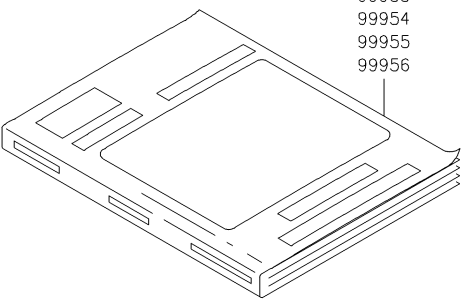
F2920

Owner's Manual
(Local Procurement)



Ref.No.	Language
(99976/B)	English
	French
	German
(99976A/C)	Italian
	Spanish
	Dutch

Service Manual



Ref.No.	Language
(99901)	Dutch
(99924)	English
(99953)	German
(99954)	French
(99955)	Italian
(99956)	Spanish

Ref. No.	Part No.	Description	Spec Code	Quantity-KX250			
				'15	'16		
				ZFF	ZGF		
99901	99901-0036-03	SERVICE MANUAL,DUTCH					
	L-----		EU	1	1		
99924	99924-1459-03	SERVICE MANUAL,ENGLISH					
	L-----		EU	1	1		
99953	99953-1076-03	SERVICE MANUAL,GERMAN					
	L-----		EU	1	1		
99954	99954-1090-03	SERVICE MANUAL,FRENCH					
	L-----		EU	1	1		
99955	99955-1063-03	SERVICE MANUAL,ITALIAN					
	L-----		EU	1	1		
99956	99956-1051-03	SERVICE MANUAL,SPANISH					
	L-----		EU	1	1		
99976	99976-1889	OWNER'S MANUAL,EN/FR/DE					
	L-----		EU	1			
99976A	99976-1890	OWNER'S MANUAL,IT/ES/NL					
	L-----		EU	1			
99976B	99976-1929	OWNER'S MANUAL,EN/FR/DE					
	L-----		EU		1		
99976C	99976-1930	OWNER'S MANUAL,IT/ES/NL					
	L-----		EU		1		

This catalog covers:

'15~'16 KX250 ZFF/ZGF

GRID NO.

L-14

This grid covers:

Numerical Parts Index

Part No.	Grid No.	Part No.	Grid No.	Part No.	Grid No.	Part No.	Grid No.	Part No.	Grid No.	Part No.	Grid No.
11004-0738	B-3	13037-0155	B-11	13271-0808	B-10	16007-0029	B-8	32085-1386	E-8	41029-0003	D-11
11005-0644	B-5	13037-0732	B-11	13271-0858	E-3	16016-0025	C-7	32099-0002	E-9	41029-1204	D-11
11008-0842	B-3	13061-0357	B-12	13272-0438	C-4	16065-0074	B-3	32099-0003	E-9	41029-1330	D-11
11011-0757-6C	B-6	13064-0067	B-12	13272-0488	C-5	16073-0129	C-7	32099-0051	C-10	41032-0002	D-11
11013-0722	B-6	13066-0004	B-12	13272-0670	C-5	16073-3707	C-7	32155-0112	C-7	41032-1077	D-11
11055-1540	D-5	13070-0011	B-12	13272-1169	D-6	16142-0003	C-10	32160-0722	D-3	41032-1085	D-11
11055-1541	D-5	13070-0048	E-7	13280-0055	E-9	16142-0020	C-13	32160-0724	D-3	41032-1086	D-11
11056-0070	D-5	13070-0057	E-3	13280-0118	E-9	16154-0090	C-10	32190-0478	D-4	41034-0034	D-12
11056-0624	D-5	13078-0029	C-4	13280-0170	B-6	16154-0093	C-10	32190-0607	D-4	41034-0057	D-13
11056-0961	D-5	13078-0559	B-12	13280-0339	B-13	16163-0826	C-7	32190-0655	D-4	41068-0590	D-12
11056-1513	C-11	13087-0017	B-13	13280-0751	B-6	172BA0612	C-4	33001-0594	D-6	41068-0591	D-13
11056-1657	D-5	13088-0018	B-13	132BA0608	C-13	18046-0231	B-7	33032-0012	D-6	41080-0616	E-6
11061-0027	B-7	13089-0005	B-13	132BA0610	C-11	18046-0579	B-7	33040-0020	D-6	41080-0618	E-8
11061-0350	B-4	13095-0107	B-13	132BA0610	D-5	18088-0831	B-7	33040-0075	D-6	41091-0004-WC	D-11
11061-0357	B-5	13097-0117	B-11	132BA0610	D-6	18100-0559	B-7	34024-0074	D-10	41091-0005-WC	D-11
11061-0361	C-6	130BA0512	B-6	132BA0612	B-10	21003-0147	C-11	34028-0104	D-8	410AA0800	D-13
11061-0362	C-6	130CD0514	C-13	132BA0612	C-13	21007-0164	C-11	34028-0105	D-8	411S0600	B-7
11061-0434	B-7	13102-0034	B-13	132BA0614	C-13	21007-0593	C-11	35004-0319-290	D-9	42036-0019	D-6
11061-0778	C-6	13107-0196	C-13	132BA0614	D-5	21007-0619	C-11	35019-0050	D-9	42036-0020	D-7
11065-0087	C-13	13116-0037	B-13	132BA0614	D-9	21013-0001	C-11	35023-0357-266	D-9	42036-0021	D-7
11065-0340	E-3	13116-0043	E-5	132BA0616	E-5	21066-0721	C-11	35023-0357-290	D-9	42036-0022	D-7
11065-0786	D-12	13127-0064	B-14	132BA0625	D-5	21118-0016	B-10	35063-0647	C-7	42036-0030	D-7
11065-1253	D-13	13128-0669	B-14	132BA0630	C-6	21121-0706	C-12	36001-0598-266	E-14	42036-1351	D-7
12004-0033	B-8	13140-0056	C-3	132BA0635	C-6	21160-0553	C-12	36001-0600-266	E-14	42041-0001	D-13
12005-0002	B-8	13140-0057	C-3	132BA0650	C-5	21175-0919	C-9	39007-0361	D-7	42041-1383	D-13
12009-0010	B-8	13141-0587	C-3	132BA0660	C-5	21176-0009	C-9	39061-0168	C-14	42041-1384	D-13
12009-1073	B-8	13144-0036	B-14	132BA0665	C-13	21176-0058	C-7	39061-0190	C-14	42041-1408	D-13
12011-1053	B-8	13144-0064	B-14	132BA0665	C-5	21176-0066	C-9	39062-0258	C-14	42041-1428	D-13
12022-0006	C-5	13145-0031	C-3	132BA0665	C-6	21176-0121	C-9	39062-0292	C-14	42041-1429	D-13
12032-0005	B-8	13151-0560	C-3	132BA0670	C-5	21176-0129	C-7	39062-0294	C-14	42041-1448	D-13
12032-0006	B-8	13156-0124	C-4	132BA0835	E-9	220AA0510	E-7	39062-0295	C-14	42041-1449	D-13
12048-0056	B-10	13161-0077	C-4	132BA0840	B-7	225AA0510	C-5	39062-0689	C-14	42041-1450	D-13
12053-0009	B-10	13165-0018	C-4	132BB0625	C-14	235AB0516	C-3	39062-0690	C-14	42041-1451	D-13
12053-0010	B-10	13187-1089	B-13	14001-0639	C-5	26011-0246	C-9	39087-0004	E-9	43010-1087	E-7
12053-0017	B-10	13206-0008	B-12	14013-0001	B-10	26011-0273	F-3	39111-0309	D-7	43015-0168	E-7
12053-0125	D-6	13234-0045	C-10	14013-0002	B-10	26011-0727	F-3	39115-0007	C-10	43015-0619	E-5
12053-0129	C-6	13235-0003	E-3	14026-0090	C-6	26011-0728	F-3	39115-0565	B-12	43020-1094	E-7
12053-0130	C-6	13236-0097	D-14	14031-0569	C-6	26011-0748	F-3	39156-0677	E-14	43020-1115	E-5
12053-0192	D-6	13236-0161	C-4	14032-0567	C-6	26031-1558	F-3	39183-1059	E-9	43022-1010	E-5
120CA0625	B-3	13236-0763	E-5	14032-0599	C-6	27010-0047	E-9	39192-0037	C-13	43026-0020	E-5
120CA0625	B-5	13262-0839	B-14	14037-0744-6C	C-14	27010-0725	E-9	41009-0531	D-11	43026-0023	E-7
120CA0630	C-13	13262-0930	B-14	14037-0745-6C	C-14	290CA0808	B-12	41009-0532	D-11	43028-1067	E-5
120CA0840	E-6	13262-0931	B-14	14073-0756	B-6	31064-0607	B-7	41022-0022	D-11	43028-1092	E-7
13001-0747	B-5	13262-0932	B-14	14079-0022	E-8	311BA0600	C-4	41022-1129	D-11	43034-1110	E-5
13002-0041	B-5	13262-0933	B-14	14079-0586	E-6	32054-0054	D-8	41023-1009	D-11	43048-1066	E-8
13008-0028	B-5	13262-0934	B-14	14091-0182	E-9	32054-0055	D-8	41023-1081	D-11	43048-1093	E-6
13031-0739	B-11	13262-0936	B-14	14091-1523-6C	E-8	32085-0011	C-5	41024-010	D-11	43049-1060	E-6
13032-0721	B-11	13262-0937	B-14	14091-1629	B-4	32085-0077	E-3	41024-011	D-11	43049-1061	E-6
13034-0019	B-11	13262-1108	B-14	14091-1815	C-7	32085-0711	E-10	41025-0339-WC	D-11	43049-1063	E-8
13035-0022	B-11	13271-0730	B-6	16007-0002	B-8	32085-1361	E-6	41025-0344-WC	D-11	43049-1064	E-8

This catalog covers:

'15~'16 KX250 ZFF/ZGF

GRID NO.

L-15

This grid covers:

Numerical Parts Index

Part No.	Grid No.	Part No.	Grid No.	Part No.	Grid No.	Part No.	Grid No.	Part No.	Grid No.	Part No.	Grid No.
43056-1055	E-6	461S0600	B-7	550S3020	D-8	92022-1028	E-7	92045-1287	C-5	92055-1308	C-13
43056-1055	E-8	480J1400	C-4	56054-1282	F-6	92022-1088	E-9	92045-1335	C-5	92055-1352	B-4
43057-1001	E-6	480J1800	B-12	56054-1282	F-7	92022-1356	B-11	92045-1432	C-5	92055-1671	C-7
43057-1001	E-8	481J2200	C-6	56054-1533	F-6	92022-1380	C-13	92045-1446	D-13	92055-520	C-13
43058-0012	E-3	49002-0003	B-3	56069-7453	F-6	92022-1690	E-12	92046-0016	B-13	92057-0030	B-10
43078-0030	E-3	49002-0016	B-3	56069-7454	F-6	92022-1737	E-9	92046-0034	C-5	92057-0192	D-13
43080-0037	E-8	49006-0030	E-9	56071-0028	F-5	92022-1814	E-5	92046-1151	D-7	92058-1074	D-13
43080-0142	E-6	49006-0060	E-9	56071-0416	F-5	92022-1827	C-13	92046-1174	D-6	92062-0023	C-5
43082-0107	E-8	49006-0078	E-5	56075-0794	F-7	92022-1827	C-4	92046-1190	B-13	92065-058	C-5
43082-0132	E-6	49006-1088	E-6	56075-0795	F-7	92022-1829	D-8	92046-1221	C-5	92066-0788	C-6
43089-0030	E-3	49006-1088	E-8	56075-0796	F-7	92022-1944	B-12	92046-1240	D-6	92066-0789	C-6
43095-0617	E-7	49006-1242	E-6	56075-0797	F-7	92022-250	D-3	92046-1301	D-7	92066-0790	C-6
43095-0755	E-5	49006-1242	E-8	58029-0056-266	F-8	92022-271	B-12	92046-1301	E-3	92066-0833	C-6
44008-0076	E-10	49016-1044	E-5	59006-0011	B-6	92022-304	C-13	92049-0015	C-5	92066-0834	C-6
44013-0249	E-10	49033-0033	C-7	59051-0009	C-10	92026-0737	E-10	92049-0030	C-5	92066-0835	C-6
44013-0250	E-10	49033-0560	C-7	59051-0061	C-13	92026-1217	C-4	92049-0060	C-6	92066-1437	C-5
44025-0052	E-10	49040-0707	C-8	59051-0089	B-12	92027-1653	B-7	92049-0061	C-6	92066-3777	B-3
44026-0181	E-10	49047-0620	C-3	59051-0723	B-12	92033-0040	E-3	92049-0063	D-7	92070-0020	C-12
44026-0182	E-10	49047-0621	C-3	59071-0049	C-7	92033-0042	E-3	92049-0069	D-7	92070-0021	C-12
44026-0183	E-10	49056-0036	C-7	59231-0042	E-12	92033-0057	B-14	92049-013	C-6	92072-0045	E-12
44028-0055	E-10	49065-0017	C-10	59256-1065	C-13	92033-0076	E-3	92049-0151	E-3	92072-1293	E-9
44037-0133-21	E-10	49065-0023	C-10	600A0800	B-12	92033-0079	E-7	92049-0735	E-10	92075-209	C-14
44039-0143-21	E-10	49078-0003	B-8	600A1000	B-13	92033-0720	E-10	92049-0762	C-6	92081-020	B-12
44065-0059	E-10	49078-0080	B-8	610A0408	C-10	92033-1039	C-10	92049-1262	C-5	92093-0584	E-10
44065-0060	E-10	49085-1070	C-14	610A0408	C-3	92033-1041	D-13	92049-1349	B-8	92093-1434	D-6
44065-0061	E-10	49085-1073	C-14	670B2012	D-14	92033-1161	B-5	92049-1387	B-12	92093-1435	D-6
44071-0917	E-10	49089-0832-25M	C-14	670E5070	C-8	92033-1270	B-14	92049-1403	D-12	92093-1436	D-7
44071-0955	E-10	49089-0833-25M	C-14	92002-1736	D-3	92037-1523	B-3	92049-1614	D-13	92104-0004	F-4
44071-0963	E-10	49091-0001	E-5	92004-0025	B-3	92037-1589	C-14	92055-0010	C-13	92104-1063	F-4
44071-1076	E-10	49091-0001	E-7	92005-0101	C-14	92037-1903	F-3	92055-0016	C-9	92104-1064	F-4
44071-1085	E-10	49107-0752	B-7	92005-0747	C-5	92042-007	B-3	92055-0064	C-7	92110-0004	F-4
45014-0460-37U	E-3	49118-0774	B-10	92009-1795	E-5	92042-007	C-10	92055-0094	E-10	92110-0005	F-4
45014-0460-52C	E-3	49118-0826	B-10	92009-1971	E-12	92042-007	C-13	92055-0098	E-3	92116-1069	D-3
45014-0463-37U	E-3	51001-0735	E-12	92009-1981	C-7	92042-007	C-6	92055-0099	E-3	92116-1076	D-3
45014-0463-52C	E-3	51044-0725	C-8	92009-1993	D-9	92043-0004	E-7	92055-0100	E-3	92122-0016	D-5
46003-0572	E-9	51044-0739	C-8	92015-1014	D-6	92043-0017	C-4	92055-0101	E-3	92122-0021	C-10
46012-0013-21	E-9	51048-0031	E-12	92015-1259	B-6	92043-0074	D-8	92055-0124	C-7	92122-0042	D-5
46012-0020-21	E-9	510A3200	C-11	92015-1339	D-5	92043-1507	E-8	92055-0131	E-10	92139-0014	B-13
46012-0021-21	E-9	52005-1009	C-6	92015-1367	C-14	92043-1508	E-8	92055-0150	B-3	92139-0241	B-14
46012-0048-21	E-9	52010-0001	C-10	92015-1402	B-7	92043-1654	C-3	92055-055	B-14	92143-1196	D-5
46012-0324-21	E-9	53066-0481-49F	E-14	92015-1426	C-11	92043-1676	C-4	92055-0729	B-3	92143-1307	D-5
46019-0041	E-9	54011-0569	E-13	92015-1432	D-4	92043-4009	B-3	92055-0743	E-10	92143-1642	D-5
46075-0072	E-9	54012-0591	E-13	92015-1433	D-7	92043-4009	B-5	92055-0744	E-10	92143-1676	D-6
46076-0019	E-9	55020-0435-6C	D-5	92015-1528	E-5	92043-4009	C-5	92055-0745	E-10	92144-1721	E-6
46092-0007	E-9	55020-0436-6C	D-5	92015-1791	D-3	92045-0013	C-5	92055-0746	E-10	92144-1752	D-14
46102-0574	E-3	55020-0441-6C	E-10	92015-1792	D-3	92045-0051	C-5	92055-086	B-10	92144-1761	C-10
46102-0579	E-10	55020-0442-6C	E-10	92015-1861	D-3	92045-0052	C-5	92055-091	C-3	92144-1819	E-8
46102-0597	E-3	55020-0443-6C	D-5	92015-1962	E-9	92045-0060	D-5	92055-091	C-6	92145-0351	B-13
46102-0598	E-3	55020-0458-6C	E-8	92019-008	D-5	92045-1123	C-6	92055-1011	C-6	92145-0453	C-4
46102-0603	E-10	550AA2015	E-7	92019-008	E-9	92045-1284	D-12	92055-1146	C-6	92145-0465-710	E-3

This catalog covers:

'15~'16 KX250 ZFF/ZGF

GRID NO.

L-16

This grid covers:

Numerical Parts Index

Part No.	Grid No.	Part No.	Grid No.	Part No.	Grid No.	Part No.	Grid No.	Part No.	Grid No.	Part No.	Grid No.
92145-0499	B-12	92153-0338	B-3	92154-0547	E-14	92173-0885	B-7	92192-1184	C-5		
92145-0608	C-4	92153-0339	B-3	92154-0772	D-9	92173-1002	B-6	92200-0027	B-13		
92145-0758	B-10	92153-0572	B-10	92154-0774	D-5	92173-1177	E-5	92200-0029	C-4		
92145-0811	B-12	92153-0620	D-6	92154-0898	B-12	92173-1178	E-5	92200-0045	B-13		
92145-0819	D-8	92153-0623	B-6	92154-0899	C-8	92173-1401	C-14	92200-0087	C-5		
92145-0820	D-8	92153-0773	E-9	92154-0913	D-5	92180-0167	B-8	92200-0098	B-13		
92145-0843	C-4	92153-0807	E-9	92154-0915	C-14	92180-0168	B-8	92200-0154	D-14		
92145-0887-710	E-3	92153-0808	E-9	92154-0972	D-9	92180-0169	B-8	92200-0190	C-13		
92145-0888-710	E-3	92153-0825	C-4	92154-1021	C-7	92180-0170	B-8	92200-0271	C-14		
92145-0889-710	E-3	92153-0918	B-10	92154-1057	E-11	92180-0171	B-8	92200-0285	D-6		
92145-1414	C-3	92153-0938	D-7	92154-1059	E-11	92180-0172	B-8	92200-0378	B-12		
92150-1340	E-10	92153-0939	D-7	92154-1094	B-3	92180-0173	B-8	92200-0442	B-14		
92150-1340	E-8	92153-1021	E-7	92154-1569	E-11	92180-0174	B-8	92200-0723	B-14		
92150-1435	C-14	92153-1397	E-11	92154-1570	E-11	92180-0175	B-8	92200-1548	B-13		
92150-1435	D-5	92153-1398	E-11	92154-1571	E-11	92180-0176	B-8	92200-1623	D-13		
92150-1435	F-8	92153-1399	E-11	92154-1573-48W	E-3	92180-0177	B-8	92210-0065	D-12		
92150-1451	E-5	92153-1419	E-5	92154-1573-50Y	E-3	92180-0178	B-8	92210-0066	D-3		
92150-1452	E-5	92153-1419	E-7	92154-1621	C-4	92180-0179	B-8	92210-0167	E-9		
92150-1491	C-10	92153-1669	C-4	92154-1621	C-5	92180-0180	B-8	92210-0270	E-3		
92150-1506	B-6	92153-1669	C-5	92160-1116	B-7	92180-0181	B-8	92210-0285	D-6		
92150-1506	D-5	92153-1735	C-3	92161-0041	C-7	92180-0182	B-8	92210-0350	B-11		
92150-1691	E-6	92154-0024	D-3	92161-0073	E-14	92180-0183	B-8	92210-0430	E-11		
92150-1692	E-8	92154-0031	C-11	92161-0213	B-6	92180-0184	B-8	92210-0493	D-13		
92150-1811	E-8	92154-0180	B-13	92161-0266	D-5	92180-0185	B-8	92210-0630	D-5		
92150-1978	D-13	92154-0243	C-7	92161-0329	E-3	92180-0186	B-8	92210-0630	D-6		
92151-1449	B-7	92154-0378	D-4	92161-0878	D-5	92180-0187	B-8	92210-0721	B-14		
92151-1652	B-12	92154-0380	D-4	92161-0929	E-9	92180-0188	B-8	92210-0814	E-4		
92151-1764	C-11	92154-0381	D-4	92161-0976	C-9	92180-0189	B-8	92210-0815	E-4		
92151-1799	E-6	92154-0394	D-7	92161-1184	D-11	92180-0190	B-8	92210-0939	D-13		
92152-0028	D-12	92154-0396	B-7	92161-1377	E-12	92180-0191	B-8	92210-1080	D-4		
92152-0052	D-5	92154-0463	E-11	92161-1392	E-12	92180-0192	B-8	92210-1080	D-7		
92152-0275	B-6	92154-0464	E-11	92161-1393	E-12	92180-0193	B-8	92210-1184	D-4		
92152-0292	D-6	92154-0491	C-9	92170-1514	B-3	92180-0194	B-8	92210-1184	D-7		
92152-0324	D-12	92154-0511	D-6	92170-1938	C-5	92180-0195	B-9	92210-1207	B-13		
92152-0425	D-7	92154-0512	D-7	92171-0338	C-14	92180-0196	B-9	92210-1352	D-9		
92152-0569	E-12	92154-0513	D-7	92171-0372	C-14	92180-0197	B-9	99901-0036-03	F-9		
92152-0620	D-5	92154-0515	D-8	92171-0506	E-11	92180-0198	B-9	99924-1459-03	F-9		
92152-0666	C-14	92154-0516	D-14	92171-0594	C-5	92180-0199	B-9	99953-1076-03	F-9		
92152-0683	B-14	92154-0517	D-4	92171-0652	E-13	92180-0200	B-9	99954-1090-03	F-9		
92152-0944	D-5	92154-0518	D-4	92171-0857	B-3	92180-0201	B-9	99955-1063-03	F-9		
92152-0945	D-5	92154-0519	B-7	92172-0064	C-7	92180-0202	B-9	99956-1051-03	F-9		
92152-1139	D-7	92154-0520	B-10	92172-0069	E-9	92180-0203	B-9	99976-1889	F-9		
92152-1414	C-4	92154-0520	C-4	92172-0087	C-10	92180-0204	B-9	99976-1890	F-9		
92152-1427	D-13	92154-0520	C-6	92172-0119	D-6	92180-0205	B-9	99976-1929	F-9		
92152-1449	D-5	92154-0520	E-12	92172-0248	B-12	92180-0206	B-9	99976-1930	F-9		
92152-1544	D-13	92154-0532	C-13	92172-0438	C-7	92180-0207	B-9				
92152-1552	E-12	92154-0535	B-4	92172-0776	C-7	92190-1488	D-14				
92152-1606	B-14	92154-0545	D-8	92172-1064	E-7	92192-0161	E-12				
92152-1624	D-5	92154-0546	C-14	92173-0058	C-6	92192-0167	C-14				
92152-1652	E-10	92154-0546	E-14	92173-0861	F-3	92192-0823	C-7				

This catalog covers:

'15~'16 KX250 ZFF/ZGF

Accessory	F-8
Air Cleaner	B-6
Brake Pedal	D-14
Cables	E-13
Camshaft(s)	B-10
Chassis Electrical Equipment	F-3
Clutch	B-13
Crankcase	C-5
Crankshaft	B-11
Cylinder	B-5
Cylinder Head	B-3
Cylinder Head Cover	B-4
Decals(ZFF)	F-6
Decals(ZGF)	F-7
Engine Cover(s)	C-6
Engine Mount	D-4
Fenders	D-9
Footrests	D-8
Frame	D-3
Frame Fittings	D-5
Front Brake	E-6
Front Fork	E-10/E-11
Front Hub	D-12
Front Master Cylinder	E-5
Fuel Injection	C-9
Fuel Pump	C-8
Fuel Tank	E-12
Gear Change Drum	C-3

GRID NO.

B-16

This grid covers:

Part Name Index

Gear Change Mechanism	C-4
Generator	C-11
Handlebar	E-9
Ignition System	C-12
Kickstarter Mechanism	B-12
Labels	F-5
Manual(EU)	F-9
Muffler(s)	B-7
Oil Pump	C-10
Owner's Tools	F-4
Piston(s)	B-5
Radiator	C-14
Rear Brake	E-8
Rear Hub	D-13
Rear Master Cylinder	E-7
Shift Fork(s)	C-3
Shock Absorber(s)	E-3/E-4
Side Covers	E-14
Stand(s)	D-10
Suspension	D-7
Swingarm	D-6
Tensioner	B-10
Throttle	C-7
Tires	D-11
Transmission	B-14
Valve(s)	B-8/B-9
Water Pump	C-13

This catalog covers:

'15~'16 KX250 ZFF/ZGF

Accessory	F-8
Air Cleaner	B-6
Brake Pedal	D-14
Cables	E-13
Camshaft(s)	B-10
Chassis Electrical Equipment	F-3
Clutch	B-13
Crankcase	C-5
Crankshaft	B-11
Cylinder	B-5
Cylinder Head	B-3
Cylinder Head Cover	B-4
Decals(ZFF)	F-6
Decals(ZGF)	F-7
Engine Cover(s)	C-6
Engine Mount	D-4
Fenders	D-9
Footrests	D-8
Frame	D-3
Frame Fittings	D-5
Front Brake	E-6
Front Fork	E-10/E-11
Front Hub	D-12
Front Master Cylinder	E-5
Fuel Injection	C-9
Fuel Pump	C-8
Fuel Tank	E-12
Gear Change Drum	C-3

GRID NO.

C-16

This grid covers:

Part Name Index

Gear Change Mechanism	C-4
Generator	C-11
Handlebar	E-9
Ignition System	C-12
Kickstarter Mechanism	B-12
Labels	F-5
Manual(EU)	F-9
Muffler(s)	B-7
Oil Pump	C-10
Owner's Tools	F-4
Piston(s)	B-5
Radiator	C-14
Rear Brake	E-8
Rear Hub	D-13
Rear Master Cylinder	E-7
Shift Fork(s)	C-3
Shock Absorber(s)	E-3/E-4
Side Covers	E-14
Stand(s)	D-10
Suspension	D-7
Swingarm	D-6
Tensioner	B-10
Throttle	C-7
Tires	D-11
Transmission	B-14
Valve(s)	B-8/B-9
Water Pump	C-13

This catalog covers:

'15~'16 KX250 ZFF/ZGF

Accessory	F-8
Air Cleaner	B-6
Brake Pedal	D-14
Cables	E-13
Camshaft(s)	B-10
Chassis Electrical Equipment	F-3
Clutch	B-13
Crankcase	C-5
Crankshaft	B-11
Cylinder	B-5
Cylinder Head	B-3
Cylinder Head Cover	B-4
Decals(ZFF)	F-6
Decals(ZGF)	F-7
Engine Cover(s)	C-6
Engine Mount	D-4
Fenders	D-9
Footrests	D-8
Frame	D-3
Frame Fittings	D-5
Front Brake	E-6
Front Fork	E-10/E-11
Front Hub	D-12
Front Master Cylinder	E-5
Fuel Injection	C-9
Fuel Pump	C-8
Fuel Tank	E-12
Gear Change Drum	C-3

GRID NO.

D-16

This grid covers:

Part Name Index

Gear Change Mechanism	C-4
Generator	C-11
Handlebar	E-9
Ignition System	C-12
Kickstarter Mechanism	B-12
Labels	F-5
Manual(EU)	F-9
Muffler(s)	B-7
Oil Pump	C-10
Owner's Tools	F-4
Piston(s)	B-5
Radiator	C-14
Rear Brake	E-8
Rear Hub	D-13
Rear Master Cylinder	E-7
Shift Fork(s)	C-3
Shock Absorber(s)	E-3/E-4
Side Covers	E-14
Stand(s)	D-10
Suspension	D-7
Swingarm	D-6
Tensioner	B-10
Throttle	C-7
Tires	D-11
Transmission	B-14
Valve(s)	B-8/B-9
Water Pump	C-13

This catalog covers:

'15~'16 KX250 ZFF/ZGF

Accessory	F-8
Air Cleaner	B-6
Brake Pedal	D-14
Cables	E-13
Camshaft(s)	B-10
Chassis Electrical Equipment	F-3
Clutch	B-13
Crankcase	C-5
Crankshaft	B-11
Cylinder	B-5
Cylinder Head	B-3
Cylinder Head Cover	B-4
Decals(ZFF)	F-6
Decals(ZGF)	F-7
Engine Cover(s)	C-6
Engine Mount	D-4
Fenders	D-9
Footrests	D-8
Frame	D-3
Frame Fittings	D-5
Front Brake	E-6
Front Fork	E-10/E-11
Front Hub	D-12
Front Master Cylinder	E-5
Fuel Injection	C-9
Fuel Pump	C-8
Fuel Tank	E-12
Gear Change Drum	C-3

GRID NO.

E-16

This grid covers:

Part Name Index

Gear Change Mechanism	C-4
Generator	C-11
Handlebar	E-9
Ignition System	C-12
Kickstarter Mechanism	B-12
Labels	F-5
Manual(EU)	F-9
Muffler(s)	B-7
Oil Pump	C-10
Owner's Tools	F-4
Piston(s)	B-5
Radiator	C-14
Rear Brake	E-8
Rear Hub	D-13
Rear Master Cylinder	E-7
Shift Fork(s)	C-3
Shock Absorber(s)	E-3/E-4
Side Covers	E-14
Stand(s)	D-10
Suspension	D-7
Swingarm	D-6
Tensioner	B-10
Throttle	C-7
Tires	D-11
Transmission	B-14
Valve(s)	B-8/B-9
Water Pump	C-13

This catalog covers:

'15~'16 KX250 ZFF/ZGF

Accessory	F-8
Air Cleaner	B-6
Brake Pedal	D-14
Cables	E-13
Camshaft(s)	B-10
Chassis Electrical Equipment	F-3
Clutch	B-13
Crankcase	C-5
Crankshaft	B-11
Cylinder	B-5
Cylinder Head	B-3
Cylinder Head Cover	B-4
Decals(ZFF)	F-6
Decals(ZGF)	F-7
Engine Cover(s)	C-6
Engine Mount	D-4
Fenders	D-9
Footrests	D-8
Frame	D-3
Frame Fittings	D-5
Front Brake	E-6
Front Fork	E-10/E-11
Front Hub	D-12
Front Master Cylinder	E-5
Fuel Injection	C-9
Fuel Pump	C-8
Fuel Tank	E-12
Gear Change Drum	C-3

GRID NO.

F-16

This grid covers:

Part Name Index

Gear Change Mechanism	C-4
Generator	C-11
Handlebar	E-9
Ignition System	C-12
Kickstarter Mechanism	B-12
Labels	F-5
Manual(EU)	F-9
Muffler(s)	B-7
Oil Pump	C-10
Owner's Tools	F-4
Piston(s)	B-5
Radiator	C-14
Rear Brake	E-8
Rear Hub	D-13
Rear Master Cylinder	E-7
Shift Fork(s)	C-3
Shock Absorber(s)	E-3/E-4
Side Covers	E-14
Stand(s)	D-10
Suspension	D-7
Swingarm	D-6
Tensioner	B-10
Throttle	C-7
Tires	D-11
Transmission	B-14
Valve(s)	B-8/B-9
Water Pump	C-13